



Chipsmall Limited consists of a professional team with an average of over 10 year of expertise in the distribution of electronic components. Based in Hongkong, we have already established firm and mutual-benefit business relationships with customers from,Europe,America and south Asia,supplying obsolete and hard-to-find components to meet their specific needs.

With the principle of “Quality Parts,Customers Priority,Honest Operation,and Considerate Service”,our business mainly focus on the distribution of electronic components. Line cards we deal with include Microchip,ALPS,ROHM,Xilinx,Pulse,ON,Everlight and Freescale. Main products comprise IC,Modules,Potentiometer,IC Socket,Relay,Connector.Our parts cover such applications as commercial,industrial, and automotives areas.

We are looking forward to setting up business relationship with you and hope to provide you with the best service and solution. Let us make a better world for our industry!



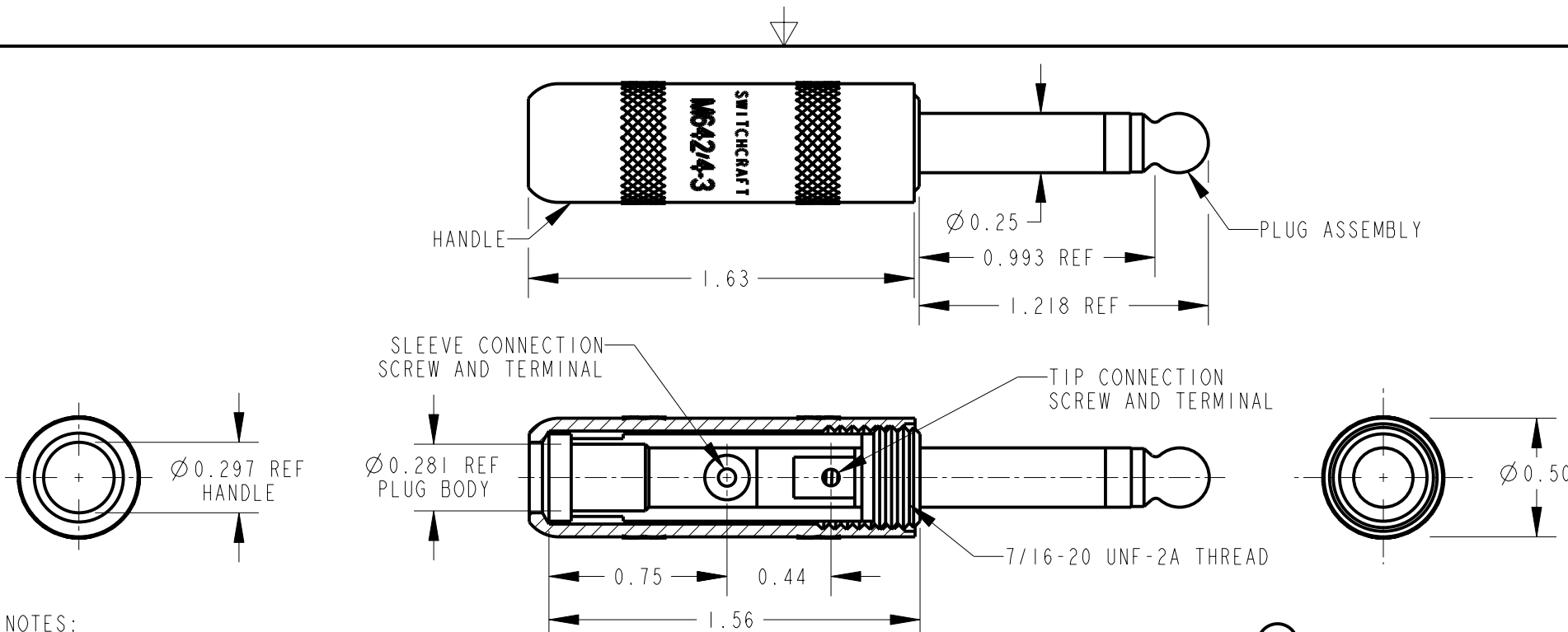
Contact us

Tel: +86-755-8981 8866 Fax: +86-755-8427 6832

Email & Skype: info@chipsmall.com Web: www.chipsmall.com

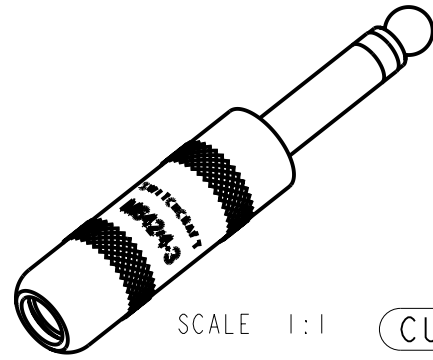
Address: A1208, Overseas Decoration Building, #122 Zhenhua RD., Futian, Shenzhen, China





NOTES:

1. FOR M642/4-1 WITH BLACK HANDLE SEE PART #440
2. KIT #K165 PACKED & SHIPPED UNASSEMBLED INCLUDES; U-CLAMP, CLAMP TERMINALS AND SCREWS
3. MATERIALS:
 PLUG BODY, TIP ROD & SCREWS - COPPER ALLOY
 INSULATION - THERMOPLASTIC, BLACK
 HANDLE - COPPER ALLOY, NICKEL PLATED
 TERMINALS - COPPER ALLOY, TIN PLATED
 U-CLAMP - STEEL, CADMIUM PLATED



SCALE 1:1

CUSTOMER DRAWING

					★ STAR SYMBOL DENOTES CRITICAL DIMENSION	THIS DRAWING DESCRIBES A DESIGN CONSIDERED PROPRIETARY IN NATURE, DEVELOPED AND MANUFACTURED BY SWITCHCRAFT INC. AND IS RELEASED ON A CONFIDENTIAL BASIS FOR IDENTIFICATION PURPOSES ONLY.							
					UNLESS OTHERWISE SPECIFIED	SIZE	WIDTH	MULT	LBS/M	TEMPER			
					1. ALL DIMENSIONS IN INCHES - TWO PLACE DECIMALS ±0.01 - THREE PLACE DECIMALS ±0.005 - ANGLES ±1° - ALL DIA. CONCENTRIC WITHIN 0.005 T.I.R.	FINISH			MATERIAL				
					2. FEATURES ON THE SAME CENTERLINE MUST BE ALIGNED WITHIN ±0.002	SPEC No.			SPEC No.				
					3. REMOVE ALL BURRS	FIRST USED ON		SCALE 3:2					
F	27082	1-25-13	TO	TJK	DATE DRAWN		BY	CHKD	APVD	Switchcraft®			
E	23165	2-6-00	JL	JF	12/28/93	ES	ES	JP	12/28/93				
REV	ECO NUMBER	DATE	BY	APVD	NAME					PART No.	REV		
REVISIONS					DO NOT SCALE DRAWING					2 CONDUCTOR Ø 0.25 PLUG M642/4-3		470	F