



Chipsmall Limited consists of a professional team with an average of over 10 year of expertise in the distribution of electronic components. Based in Hongkong, we have already established firm and mutual-benefit business relationships with customers from,Europe,America and south Asia,supplying obsolete and hard-to-find components to meet their specific needs.

With the principle of “Quality Parts,Customers Priority,Honest Operation,and Considerate Service”,our business mainly focus on the distribution of electronic components. Line cards we deal with include Microchip,ALPS,ROHM,Xilinx,Pulse,ON,Everlight and Freescale. Main products comprise IC,Modules,Potentiometer,IC Socket,Relay,Connector.Our parts cover such applications as commercial,industrial, and automotives areas.

We are looking forward to setting up business relationship with you and hope to provide you with the best service and solution. Let us make a better world for our industry!



## Contact us

Tel: +86-755-8981 8866 Fax: +86-755-8427 6832

Email & Skype: info@chipsmall.com Web: www.chipsmall.com

Address: A1208, Overseas Decoration Building, #122 Zhenhua RD., Futian, Shenzhen, China





Cord retaining strain relief



4700.00XX



0888.0019 / 0888.0020 / 0888.0021



**Description**

- Front Panel :  
Screw-on from front side
- 1 Function :  
Protection against accidental disconnection of the plug

**Weblinks**

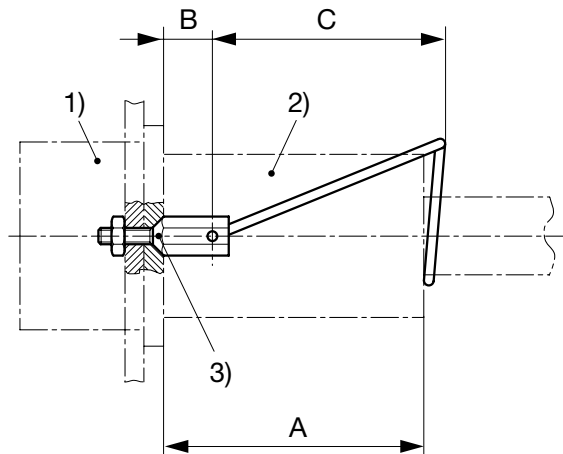
[pdf datasheet](#), [html-datasheet](#), [General Product Information](#), [RoHS](#), [CHINA-RoHS](#), [REACH](#), [Distributor-Stock-Check](#), [Accessories](#), [Detailed request for product](#)

For protection against loosening or accidental disconnection of the plug connector. Can also be mounted later. The correct kit type respectively the corresponding Order No. for each combination of fixed and free components is shown in the selection chart. Horizontal flanged components are secured to the panel using the kit supplied. Vertical flanged or snap-in components require additional drilling for the cord retaining kit as shown in the diagrams below.

The kits with the part number 4700.00XX consist of:

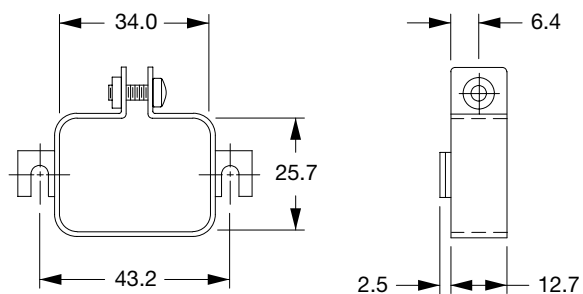
- 1 Stainless steel retaining clip
- 2 Nickel plated brass pillars
- 2 Nickel plated brass nuts
- 2 Nickel plated beryllium copper crinkle washers

**Dimension**

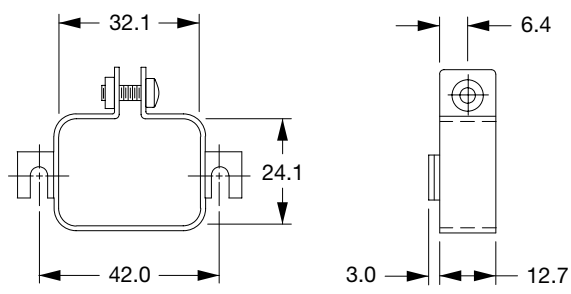


(Details see overview table and table of variants)

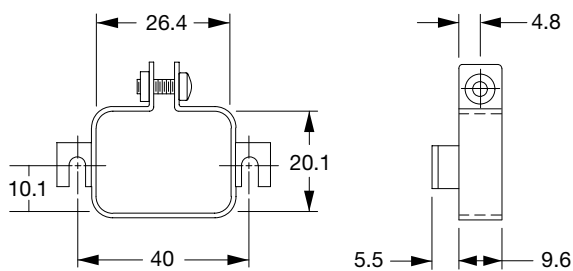
- 1) Inlet/Outlet
- 2) Plug/Connector
- 3) Design



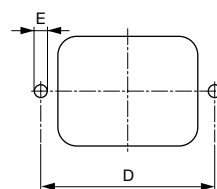
0888.0019



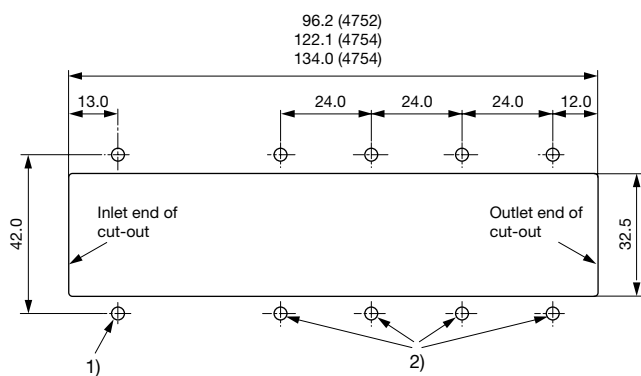
0888.0020



0888.0021



(Details see overview table and table of variants)  
Holes according inlet/outlet dimensions centered to respectively inlet/outlet



(Details see overview table)

- 1) Additional drilling for Kit H, when used with 4754 and 4758
- 2) Additional drilling for Kit E, when used with 4752, 4754 and 4758

Type	Snap-in Mounting	Screw-on Mounting	Appliance inlet/outlet			Outlet	Inlet	Panel Thickness	Cord plug /connector							
			Mounting from Frontside	Mounting from Rearside	Type				4781	4782	4795	4732	4735	4796		
					Dimension A				48	48	38	39	43	40		
											•	•	•	•	•	•
											•	•	•	•	•	•
1621		•	•				•								K	
4707		•	•				•				B	B				
4721		•	•				•								D	
4721		•	•				•								F	
4723	•		•				•								E	
4723	•		•				•								G	
4752	•		•				•								E	
4752	•		•				•								G	
4754	•		•				•								E	
4754	•		•				•	•							G	
4754	•		•				•				H	H				
4758	•		•				•								E	
4758	•		•				•	•							G	
4758	•		•				•	•			H	H				
4793		•	•				•								L	
4797	•		•				•									L
4797		•	•				•									J
4798		•	•				•								K	
5110	•		•				•				A	A				
5110		•	•				•				C	C				
5120	•		•				•				G	G				
5120		•	•				•				G	G				
5120		•	•		•		•	> 5 mm			E	E				
5120		•	•		•		•	< 3 mm			G	G				
5150	•		•				•				G	G				
5150		•	•				•				G	G				
5150		•	•		•		•	> 5 mm			E	E				
5150		•	•		•		•	< 3 mm			G	G				
5130	•		•				•								L	
5130		•	•				•								L	
5130		•	•		•		•	< 3 mm							L	
5200		•	•				•				B	B				
5216		•	•				•									L
5220		•	•				•				B	B				
6100	•		•				•				A	A				
6100		•	•				•				C	C				
6110	•		•				•				A	A				
6110		•	•				•				C	C				
6135	•		•				•				A	A				
6200	•		•				•				A	A				
6200		•	•				•				B	B				
6220	•		•				•				A	A				
6220		•	•				•				B	B				
6600	•		•				•								E	
6600	•		•				•								G	
6600		•	•				•								D	
6600		•	•				•								F	
6610	•		•				•								E	
6610	•		•				•								G	
0723		•	•				•									J
C20F	•		•				•								L	
C20F		•	•				•								L	
C20F		•	•		•		•	< 3 mm							L	
CD	•	•	•				•				A	A				
CE	•	•	•				•				A	A				
CG	•	•	•				•				A	A				
DA22		•	•		•		•				H	H				
DC11	•		•				•				A	A				
DC11		•	•				•				B	B				
DC12	•		•				•				A	A				
DC12		•	•				•				B	B				
DC12		•	•		•		•				A	A				
DC21		•	•				•				G	G				
DC22		•	•		•		•				H	H				
DD11		•	•				•				A	A				
DD11		•	•		•		•	< 3 mm			A	A				
DD12		•	•				•				A	A				
DD12		•	•				•	< 3 mm			A	A				
DD21		•	•				•	< 3 mm			A	A				
DD22		•	•		•		•	< 3 mm			A	A				

Type	Snap-in Mounting	Screw-on Mounting	Appliance inlet/outlet		Outlet	Inlet	Panel Thickness	Cord plug /connector							
			Mounting from Frontside	Mounting from Rearside				Type	4781	4782	4795	4732	4735	4796	
								Dimension A	48	48	38	39	43	40	
								Plug				•	•	•	
								Connector	•	•	•				
EC11		•	•			•							M		
EC12		•			•								M		
EF11		•			•								M		
EF12		•			•								M		
Felcom 54	•		•			•			A	A					
Felcom 54	•		•			•						E			
Felcom 54	•		•			•								G	
Felcom 64	•		•			•			A	A					
Felcom 64	•		•			•						E			
Felcom 64	•		•			•								G	
KD	•	•	•			•			A	A					
KE	•	•	•			•			A	A					
KEA	•		•			•			A	A					
KEA		•	•			•			B	B					
KEB1	•		•			•			A	A					
KEB1		•	•			•			B	B					
KEB2	•	•	•			•			A	A					
KFC	•	•	•			•			A	A					
KFA	•		•			•			A	A					
KFA		•	•			•			B	B					
KFA		•	•		•	•			A	A					
KFB1		•	•			•			B	B					
KFB2	•	•	•			•			A	A					
KFC	•	•	•			•			A	A					
KFS		•	•			•			C	C					
KFX		•	•			•			C	C					
KG		•	•			•			A	A					
KM	•		•			•			A	A					

All Variants

Kit	Type	B [mm]	C [mm]	D [mm]	E [mm]	Order Number
-	Flat head	5	36	36	3.4	0888.0005
-	Flat head	11.5	36	36	3.4	0888.0016
-	Countersunk	3	35	36	3.4	0888.0001
-	Countersunk	3.5	36	36	3.4	0888.0004
-	Countersunk	9	36	36	3.4	0888.0015
-	Countersunk	6.5	36	36	3.4	0888.0017
A	Flat head	8	45	40	3.4	4700.0001
B	Countersunk	8	45	36	3.4	4700.0002
C	Countersunk	6.5	45	40	3.4	4700.0003
D	Countersunk	2.5	40	40	3.4	4700.0004
E	Flat head	4.5	40	42	3.4	4700.0005
F	Countersunk	2.5	45	40	3.4	4700.0006
G	Flat head	4.5	45	40	3.4	4700.0007
H	Flat head	5.5	45	39	3.4	4700.0008
J	Countersunk	6.5	37	45	3.4	4700.0009
K	Countersunk	5	37	42	3.4	4700.0010
L	Flat head	5.5	37	42	3.4	4700.0011
M	Flat head	5.5	40	42	3.4	4700.0012

■ Most Popular.

Availability for all products can be searched real-time:<http://www.schurter.com/en/Stock-Check/Stock-Check-SCHURTER>

Packaging unit 50 Pcs