



Chipsmall Limited consists of a professional team with an average of over 10 year of expertise in the distribution of electronic components. Based in Hongkong, we have already established firm and mutual-benefit business relationships with customers from,Europe,America and south Asia,supplying obsolete and hard-to-find components to meet their specific needs.

With the principle of “Quality Parts,Customers Priority,Honest Operation,and Considerate Service”,our business mainly focus on the distribution of electronic components. Line cards we deal with include Microchip,ALPS,ROHM,Xilinx,Pulse,ON,Everlight and Freescale. Main products comprise IC,Modules,Potentiometer,IC Socket,Relay,Connector.Our parts cover such applications as commercial,industrial, and automotives areas.

We are looking forward to setting up business relationship with you and hope to provide you with the best service and solution. Let us make a better world for our industry!



Contact us

Tel: +86-755-8981 8866 Fax: +86-755-8427 6832

Email & Skype: info@chipsmall.com Web: www.chipsmall.com

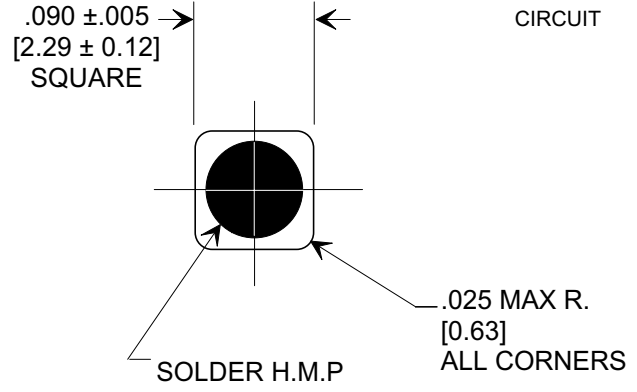
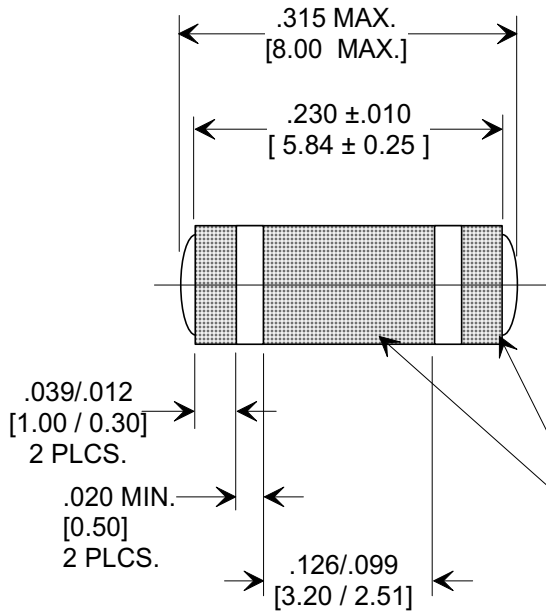
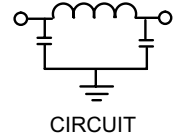
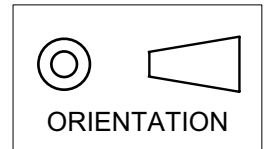
Address: A1208, Overseas Decoration Building, #122 Zhenhua RD., Futian, Shenzhen, China



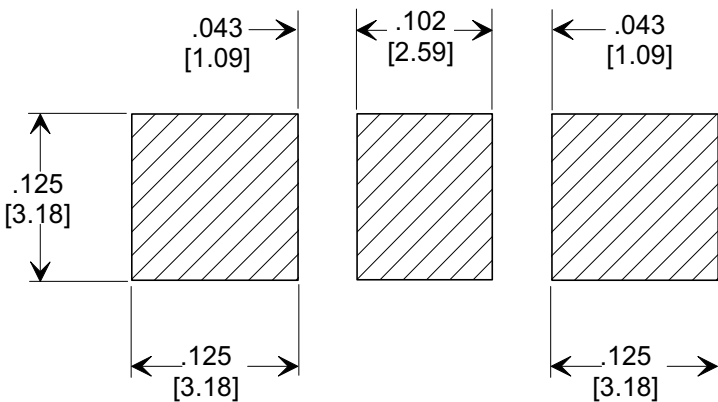
MARKETING SALES DRAWING

DIMENSIONS IN INCHES - DO NOT SCALE THIS DRAWING
 DIMENSIONS IN METRIC []

Electrical Testing
 per Tusonix standard
 test plans and Mil-Std-202
 Test Methods.



ELECTRODE
 TERMINATION
 SEE NOTE 5.



SUGGESTED
 MOUNTING PATTERN

1. INDUCTANCE TO BE 0.1 μH MINIMUM.
2. PACKAGE: BULK OR BLISTER TAPE TO IEC-60286-3 TYPE II AND EIA-481-A.
3. TUSONIX STANDARD PART NUMBER: 4700-009. TUSONIX RoHS COMPLIANT PART NUMBER: 4700-009 LF. CUSTOMER MUST SPECIFY STANDARD OR RoHS PART NUMBER WHEN ORDERING.
4. PART MARKING: STANDARD PART: NO MARKING. RoHS PART: LABELED ON PACKAGING ONLY.
5. ELECTRODE TERMINATION: STANDARD 60/40 SOLDER; RoHS COMPLIANT - MATTE TIN.

| CAP. | TOLERANCE | VVDC | | TEST VOLTAGE | I.R.MIN. @ 100 (VDC.) | I _{DC} | TYPICAL NO LOAD INSERTION LOSS dB AT 25°C PER MIL-STD-220 | | |
|--------|-------------|------|--------|--------------|-----------------------|-----------------|-----------------------------------------------------------|---------|-------|
| | | 85°C | +125°C | | | | 10 MHZ | 100 MHZ | 1 GHZ |
| 470 pF | +80% / -20% | 100 | 100 | 300 VDC | 10 G Ω | 10 A | 1 | 16 | 40 |

| | | | | |
|--------------|----------------------------------------------------------|----------------------|----------|--|
| X-2015 Rev-0 | REVISION RECORD | | | |
| | Original Release C.O. 20020111-1-01 | 0 | | |
| | REVISED DWG. I.R. MIN @ 100 (VDC) ADDED S.M. 02-13-03 | 20030213-1-13 | 1 | |
| | REVISED DWG. S.M. 06-20-03 | 20030619-2-05 | 2 | |
| | REVISED NOTES. S.M. 09-19-05 | 20050916-1-03 | 3 | |

| | | | |
|----------------------------------------------|--|---------------------------------------------------|-----------------|
| --TOLERANCES-- Unless Otherwise Specified | | Title SURFACE MOUNT SQUARE STYLE PI FILTER | |
| DECIMAL ± .005 [0.13] | | Drawn S.M. 01-14-02 | |
| ANGLES ± | | Scale 7 X | |
| TUSONIX TUCSON, ARIZONA | | Approved B.Mc. 01-14-02 | |
| | | A | 4700-009 |