



Chipsmall Limited consists of a professional team with an average of over 10 year of expertise in the distribution of electronic components. Based in Hongkong, we have already established firm and mutual-benefit business relationships with customers from,Europe,America and south Asia,supplying obsolete and hard-to-find components to meet their specific needs.

With the principle of “Quality Parts,Customers Priority,Honest Operation,and Considerate Service”,our business mainly focus on the distribution of electronic components. Line cards we deal with include Microchip,ALPS,ROHM,Xilinx,Pulse,ON,Everlight and Freescale. Main products comprise IC,Modules,Potentiometer,IC Socket,Relay,Connector.Our parts cover such applications as commercial,industrial, and automotives areas.

We are looking forward to setting up business relationship with you and hope to provide you with the best service and solution. Let us make a better world for our industry!



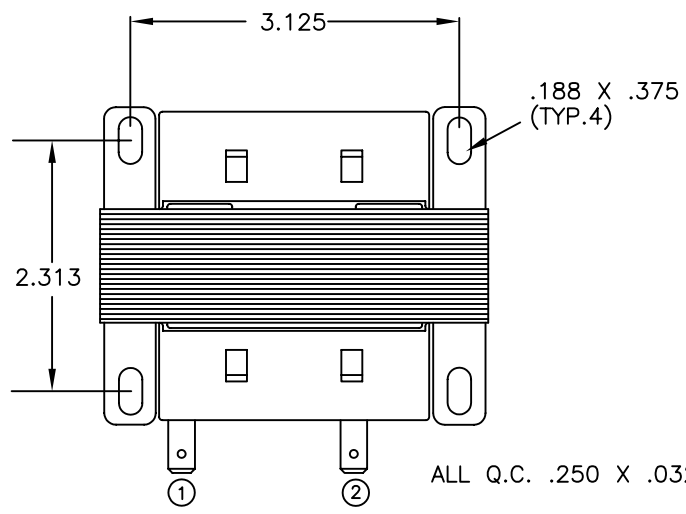
## Contact us

Tel: +86-755-8981 8866 Fax: +86-755-8427 6832

Email & Skype: info@chipsmall.com Web: www.chipsmall.com

Address: A1208, Overseas Decoration Building, #122 Zhenhua RD., Futian, Shenzhen, China

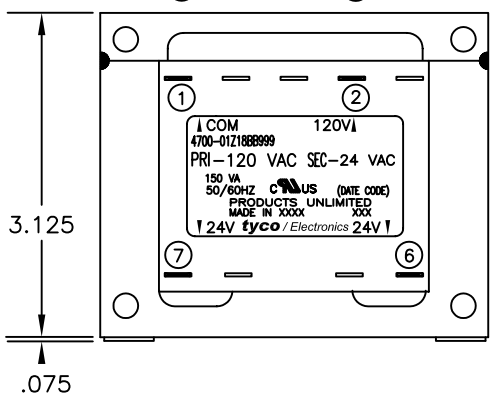




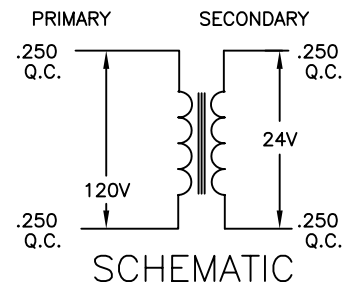
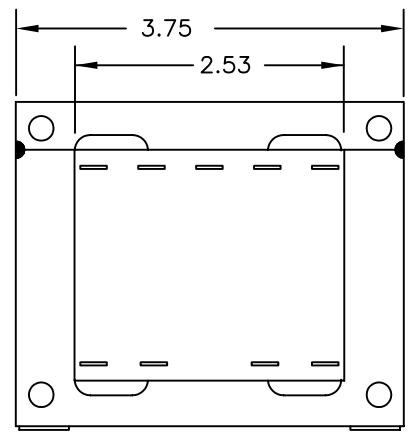
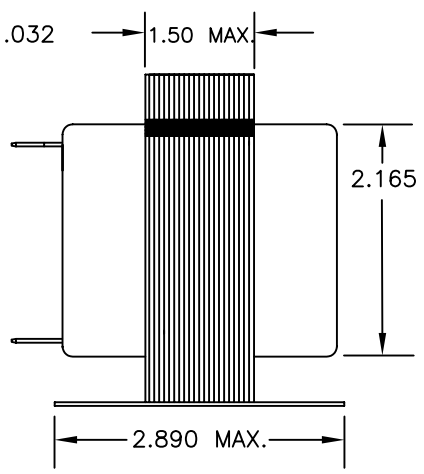
PRIMARY					
TERM NO.	1	2	3	4	5
VOLTAGE	COM	120			
TERMINAL WIDTH	.250	.250			
TERMINAL THICKNESS	.032	.032			

- NOTES
- DIMENSIONS FOR REFERENCE ONLY.
  - WINDING PROTECTION-INHERENTLY LIMITING

SECONDARY				
TERM NO.	6	7	8	9
VOLTAGE	24	VAC		
TERMINAL WIDTH	.250	.250		
TERMINAL THICKNESS	.032	.032		



ALL Q.C. .250 X .032



TYCO PART NUMBER  
5-1672104-0

THIS DRAWING IS A CONTROLLED DOCUMENT.		DWN: K.H.	24JUN03	Tyco Electronics Corporation Harrisburg, PA 17105-3608	
DIMENSIONS: INCHES		CHK: -	APVD: DH	NAME: TRANSFORMER OUTLINE P.U.STOCK	
TOLERANCES UNLESS OTHERWISE SPECIFIED:		PRODUCT SPEC: -	APPLICATION SPEC: -	SIZE: A3	RESTRICTED TO: -
MATERIAL: -		FINISH: -	WEIGHT: -	CAGE CODE: 00779	DRAWING NO: 4-700-01Z18BB999
CUSTOMER DRAWING			SCALE: NTS	SHEET: 1 OF 1	REV: 0