



Chipsmall Limited consists of a professional team with an average of over 10 year of expertise in the distribution of electronic components. Based in Hongkong, we have already established firm and mutual-benefit business relationships with customers from,Europe,America and south Asia,supplying obsolete and hard-to-find components to meet their specific needs.

With the principle of "Quality Parts,Customers Priority,Honest Operation,and Considerate Service",our business mainly focus on the distribution of electronic components. Line cards we deal with include Microchip,ALPS,ROHM,Xilinx,Pulse,ON,Everlight and Freescale. Main products comprise IC,Modules,Potentiometer,IC Socket,Relay,Connector.Our parts cover such applications as commercial,industrial, and automotives areas.

We are looking forward to setting up business relationship with you and hope to provide you with the best service and solution. Let us make a better world for our industry!



Contact us

Tel: +86-755-8981 8866 Fax: +86-755-8427 6832

Email & Skype: info@chipsmall.com Web: www.chipsmall.com

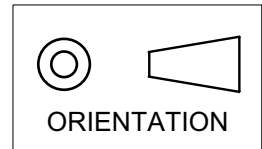
Address: A1208, Overseas Decoration Building, #122 Zhenhua RD., Futian, Shenzhen, China



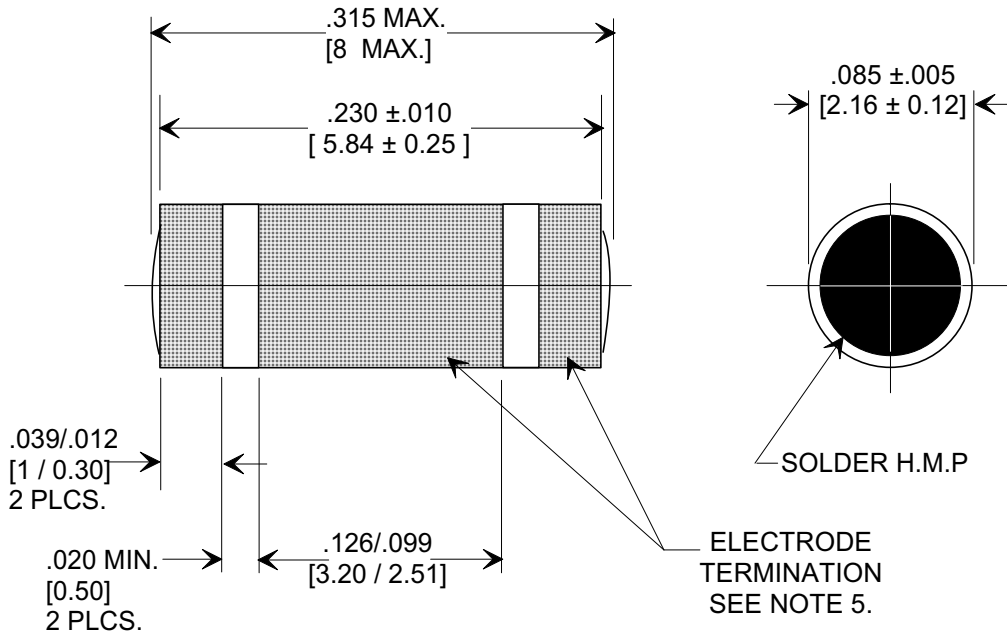
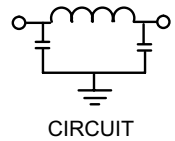
MARKETING SALES DRAWING

DIMENSIONS IN INCHES - DO NOT SCALE THIS DRAWING
DIMENSIONS IN METRIC []

This drawing is the property of Tusonix, Inc., and may not be used, reproduced, published or disclosed to others without expressed authorization by Tusonix Inc.

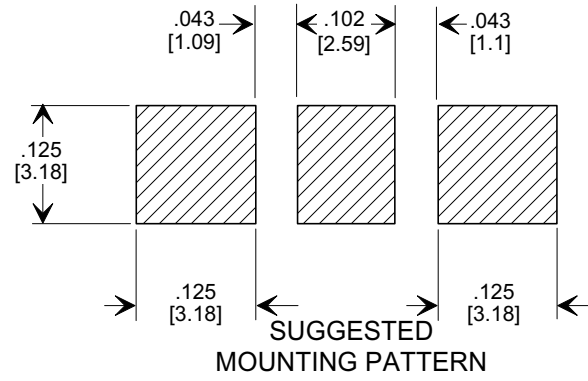


**Electrical Testing
per Tusonix standard
test plans and Mil-Std-202
Test Methods.**



NOTES:

1. INDUCTANCE TO BE 0.1 μH MINIMUM.
2. PACKAGE: BULK OR BLISTER TAPE TO IEC-60286-3 TYPE II AND EIA-481-A.
3. TUSONIX STANDARD PART NUMBER: 4700-056.
TUSONIX RoHS COMPLIANT PART NUMBER: 4700-056 LF.
CUSTOMER MUST SPECIFY STANDARD OR RoHS PART NUMBER WHEN ORDERING.
4. PART MARKING - STANDARD PART: NO MARKING.
RoHS PART: LABELED ON PACKAGING ONLY.
5. TERMINATION: STANDARD PART: SOLDER
RoHS COMPLIANT PART: MATTE TIN.



X-2015 Rev-0

CAP.	TOLERANCE	WVDC +125°C	TEST VOLTAGE	I.R.MIN. @ 100 (VDC.)	IDC	TYPICAL NO LOAD INSERTION LOSS dB AT 25°C PER MIL-STD-220		
						10 MHZ	100 MHZ	1 GHZ
5000 pF	-20% / +80%	100 @+85°C	300 VDC	10 G Ω	10 A	15	55	70
REVISION RECORD Original Release C.O. ADDED NOTES 3,4 & 5. S.M. 06-09-05 20050607-6-02 ADDED PROPERTY NOTE. REVISED NOTES 2. S.M. 03-09-07 20070301-1-19	--TOLERANCES-- Unless Otherwise Specified		Title SURFACE MOUNT ROUND STYLE PI FILTER					
	DECIMAL ± .005 [0.12]	Drawn FG 9-9-94		Scale 10 X				
	ANGLES ±	Approved NV 9-9-94		A	4700-056			
	TUSONIX TUCSON, ARIZONA							