



Chipsmall Limited consists of a professional team with an average of over 10 year of expertise in the distribution of electronic components. Based in Hongkong, we have already established firm and mutual-benefit business relationships with customers from,Europe,America and south Asia,supplying obsolete and hard-to-find components to meet their specific needs.

With the principle of "Quality Parts,Customers Priority,Honest Operation,and Considerate Service",our business mainly focus on the distribution of electronic components. Line cards we deal with include Microchip,ALPS,ROHM,Xilinx,Pulse,ON,Everlight and Freescale. Main products comprise IC,Modules,Potentiometer,IC Socket,Relay,Connector.Our parts cover such applications as commercial,industrial, and automotives areas.

We are looking forward to setting up business relationship with you and hope to provide you with the best service and solution. Let us make a better world for our industry!



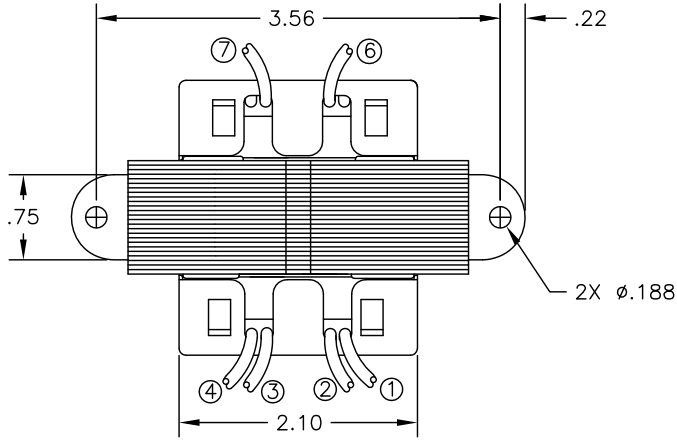
Contact us

Tel: +86-755-8981 8866 Fax: +86-755-8427 6832

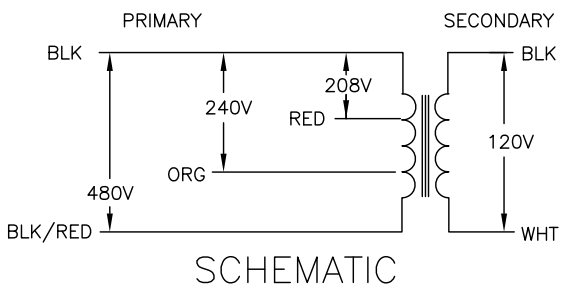
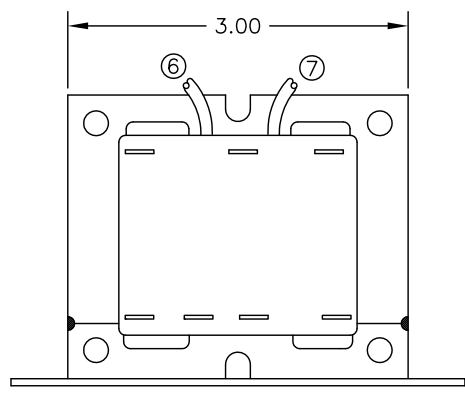
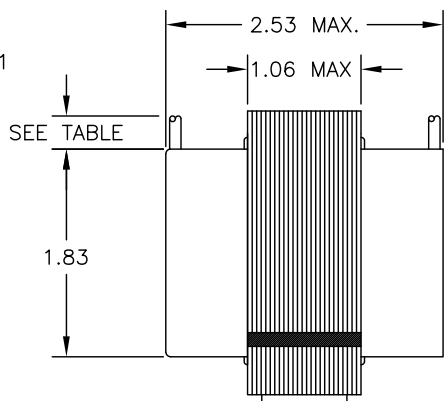
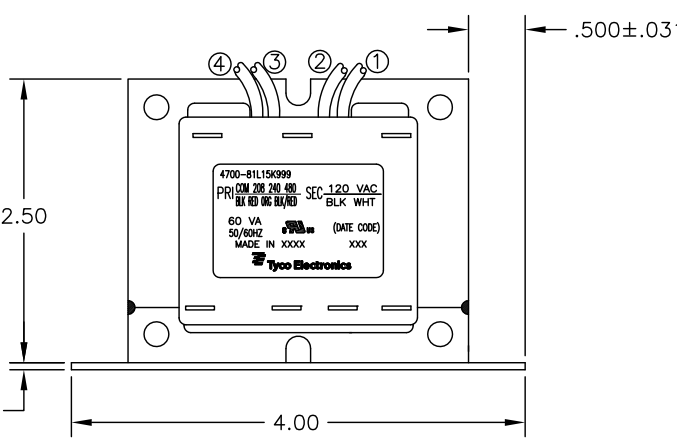
Email & Skype: info@chipsmall.com Web: www.chipsmall.com

Address: A1208, Overseas Decoration Building, #122 Zhenhua RD., Futian, Shenzhen, China





ALL LEADS 18AWG-UNLESS OTHERWISE SPECIFIED					NOTES			CERTIFICATION:				
PRIMARY					1. ALL LEADS +1"/-0" TOL.			UL/CUL FILE NO. E102980				
					2. STRIP TOL. ±1/32			SECONDARY				
					3. WINDING PROTECTION-NONE							
LEAD NO.	1	2	3	4				LEAD NO.	6	7		
VOLTAGE	COM	208	240	480				VOLTAGE	120	VAC		
COLOR	BLK	RED	ORG	BLK/RED				COLOR	BLK	WHT		
LENGTH	12.0	12.0	12.0	12.0				LENGTH	12.0	12.0		
STRIP LENGTH	.50	.50	.50	.50				STRIP LENGTH	.50	.50		



THIS DRAWING IS A CONTROLLED DOCUMENT.		DWN: K.H.	11MAR04	TE Connectivity	
DIMENSIONS: INCHES		CHK: DH	11MAR04		
TOLERANCES UNLESS OTHERWISE SPECIFIED: (REF. ONLY)		APVD: HT	11MAR04	NAME	
0 PLC ± - 1 PLC ± - 2 PLC ± - 3 PLC ± - 4 PLC ± - ANGLES ± -		PRODUCT SPEC		TRANSFORMER OUTLINE P.U. STOCK	
MATERIAL		APPLICATION SPEC		SIZE: A3	CAGE CODE: 00779
FINISH		WEIGHT		DRAWING NO: C=4700-81L15K999	
		CUSTOMER DRAWING		RESTRICTED TO	
		SCALE: NTS		SHEET: 1 of 1	REV: C