



Chipsmall Limited consists of a professional team with an average of over 10 year of expertise in the distribution of electronic components. Based in Hongkong, we have already established firm and mutual-benefit business relationships with customers from,Europe,America and south Asia,supplying obsolete and hard-to-find components to meet their specific needs.

With the principle of "Quality Parts,Customers Priority,Honest Operation,and Considerate Service",our business mainly focus on the distribution of electronic components. Line cards we deal with include Microchip,ALPS,ROHM,Xilinx,Pulse,ON,Everlight and Freescale. Main products comprise IC,Modules,Potentiometer,IC Socket,Relay,Connector.Our parts cover such applications as commercial,industrial, and automotives areas.

We are looking forward to setting up business relationship with you and hope to provide you with the best service and solution. Let us make a better world for our industry!



Contact us

Tel: +86-755-8981 8866 Fax: +86-755-8427 6832

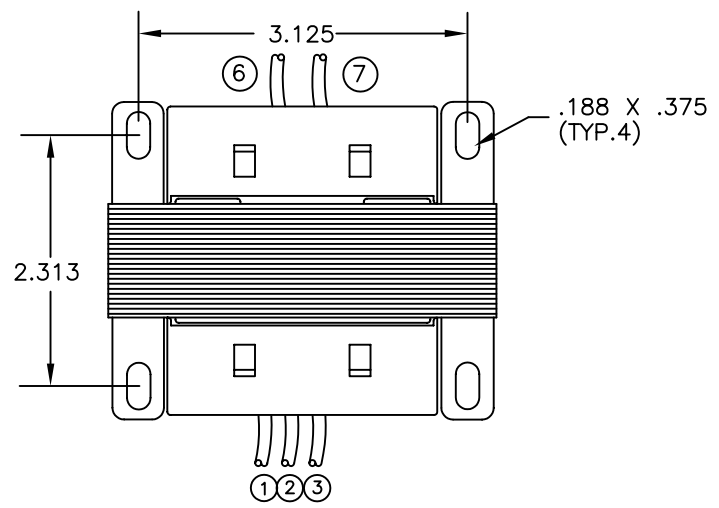
Email & Skype: info@chipsmall.com Web: www.chipsmall.com

Address: A1208, Overseas Decoration Building, #122 Zhenhua RD., Futian, Shenzhen, China



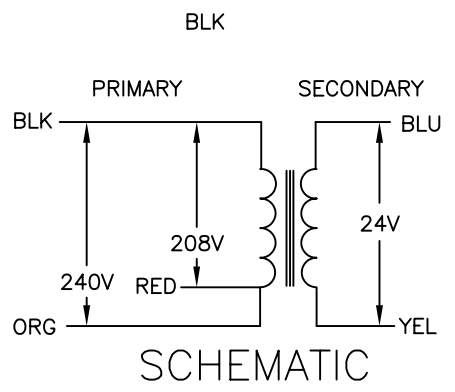
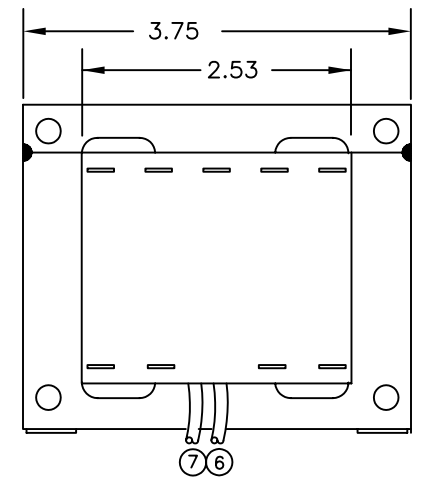
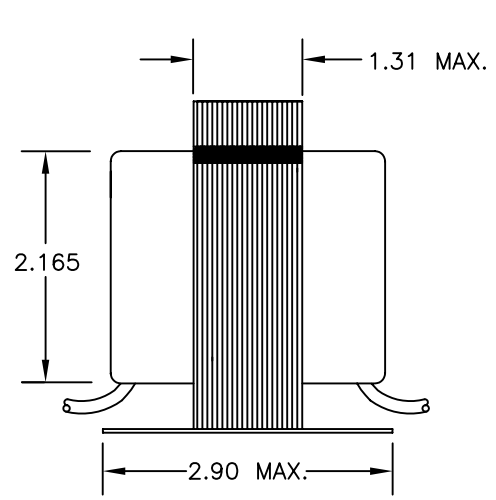
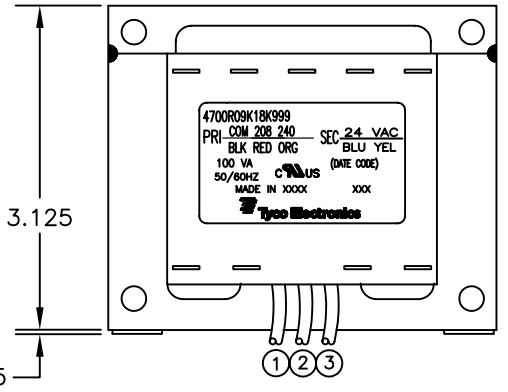
THIS DRAWING IS UNPUBLISHED. RELEASED FOR PUBLICATION
 © COPYRIGHT - BY TYCO ELECTRONICS CORPORATION. ALL RIGHTS RESERVED.

LOC	DIST	REVISIONS					
GZ	00	P	LTR	DESCRIPTION	DATE	DWN	APVD
		A		NPR-PU08-041	22APR08	KH	HT



SEE NOTE #5

ALL LEADS 18AWG-UNLESS OTHERWISE SPECIFIED					NOTES				CERTIFICATION: UL/CUL FILE NO. E102980					
PRIMARY					1. DIMENSIONS FOR REFERENCE ONLY.				SECONDARY					
LEAD NO.	1	2	3	4	5	2. ALL LEADS +1"/-0" TOL.				LEAD NO.	6	7	8	9
VOLTAGE	COM	208	240			3. STRIP TOL. ±1/32				VOLTAGE	24	VAC		
COLOR	BLK	RED	ORG			4. WINDING PROTECTION-NONE				COLOR	BLU	YEL		
LENGTH	12.0	12.0	12.0			5. BOBBIN IS RYNITE FR530 (C1320-006)				LENGTH	12.0	12.0		
STRIP LENGTH	.50	.50	.50							STRIP LENGTH	.50	.50		



TYCO ELECTRONICS PART NUMBER
3-1611473-3

THIS DRAWING IS A CONTROLLED DOCUMENT.		DWN	K.H.	22APR08	Tyco Electronics Corporation Harrisburg, PA 17105-3608			
DIMENSIONS: INCHES		CHK	DH	22APR08				
TOLERANCES UNLESS OTHERWISE SPECIFIED:		APVD	HT	22APR08				
0 PLC ± - 1 PLC ± - 2 PLC ± .01 3 PLC ± .005 4 PLC ± - ANGLES ± -		NAME		PRODUCT SPEC				
MATERIAL		FINISH		APPLICATION SPEC	TRANSFORMER OUTLINE P.U. STOCK			
		WEIGHT		RESTRICTED TO	SIZE	CAGE CODE	DRAWING NO	
		CUSTOMER DRAWING		SCALE	A3	00779	C=4700R09K18K999	
				SHEET	NTS	1	OF 1	REV