



Chipsmall Limited consists of a professional team with an average of over 10 year of expertise in the distribution of electronic components. Based in Hongkong, we have already established firm and mutual-benefit business relationships with customers from,Europe,America and south Asia,supplying obsolete and hard-to-find components to meet their specific needs.

With the principle of “Quality Parts,Customers Priority,Honest Operation,and Considerate Service”,our business mainly focus on the distribution of electronic components. Line cards we deal with include Microchip,ALPS,ROHM,Xilinx,Pulse,ON,Everlight and Freescale. Main products comprise IC,Modules,Potentiometer,IC Socket,Relay,Connector.Our parts cover such applications as commercial,industrial, and automotives areas.

We are looking forward to setting up business relationship with you and hope to provide you with the best service and solution. Let us make a better world for our industry!



## Contact us

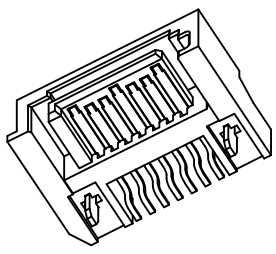
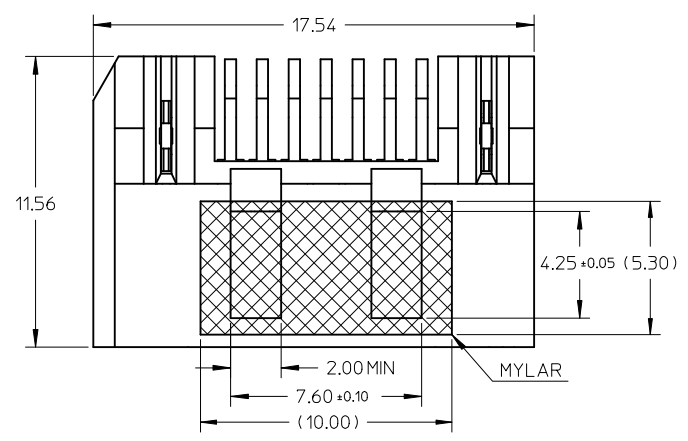
Tel: +86-755-8981 8866 Fax: +86-755-8427 6832

Email & Skype: info@chipsmall.com Web: www.chipsmall.com

Address: A1208, Overseas Decoration Building, #122 Zhenhua RD., Futian, Shenzhen, China



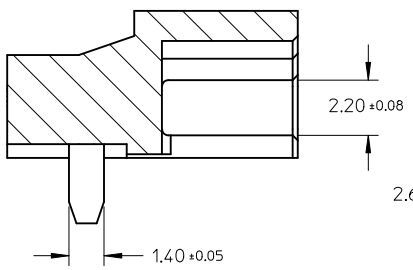
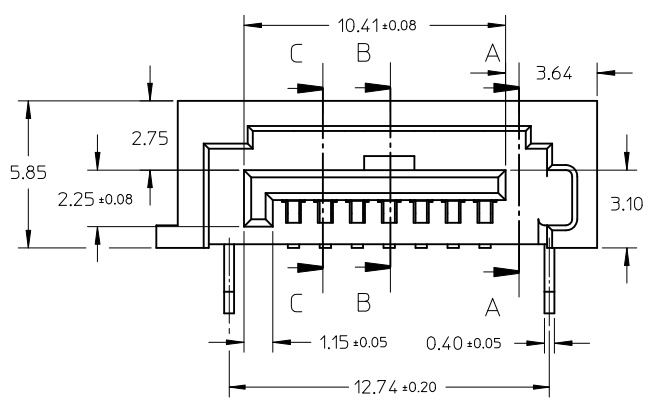
F



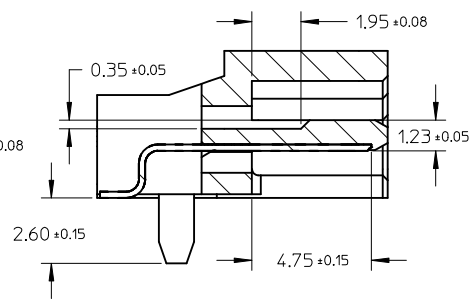
- NOTES:
- MATERIAL:  
HOUSING: HIGH TEMPERATURE PLASTIC, GLASS FILLED, UL94V-0, COLOR: SEE CHART,  
TERMINAL PEG: COPPER ALLOY,  
MYLAR: ADHESIVE TAPE.
  - TERMINAL AND PEG PLATING:  
CONTACT AREA: GOLD PLATED ON 1.25 MICRONS MINIMUM NICKEL UNDER PLATE,  
REFERRED TO PLATING TYPE LIST IN TABLE;  
SOLDER AREA: 1.27 MICRONS PURE TIN PLATED ON 1.25 MICRONS  
MINIMUM NICKEL UNDER PLATE, REFERED TO REMARK IN TABLE.
  - PRODUCT SPECIFICATION REFER TO PS-67490-001.
  - MATING PART: 67489.
  - PRODUCT COMPLIANT TO RoHS DIRECTIVE 2002/95/EC AND ELV 2000/53/EC.

E

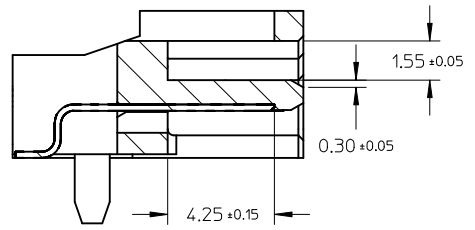
D



SECTION A-A



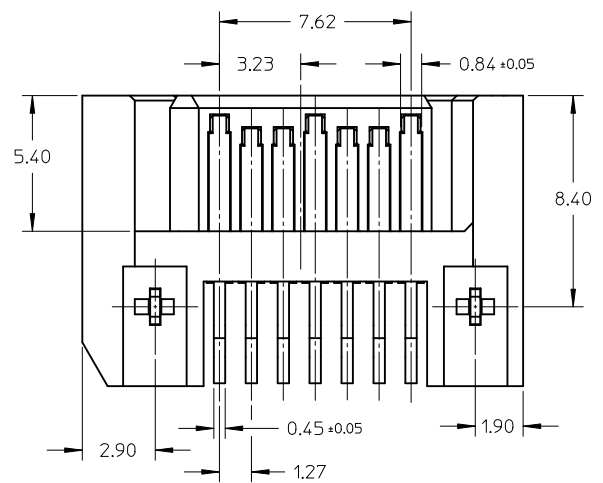
SECTION B-B



SECTION C-C

C

B



A

ADD MYLAR ON DRAWING

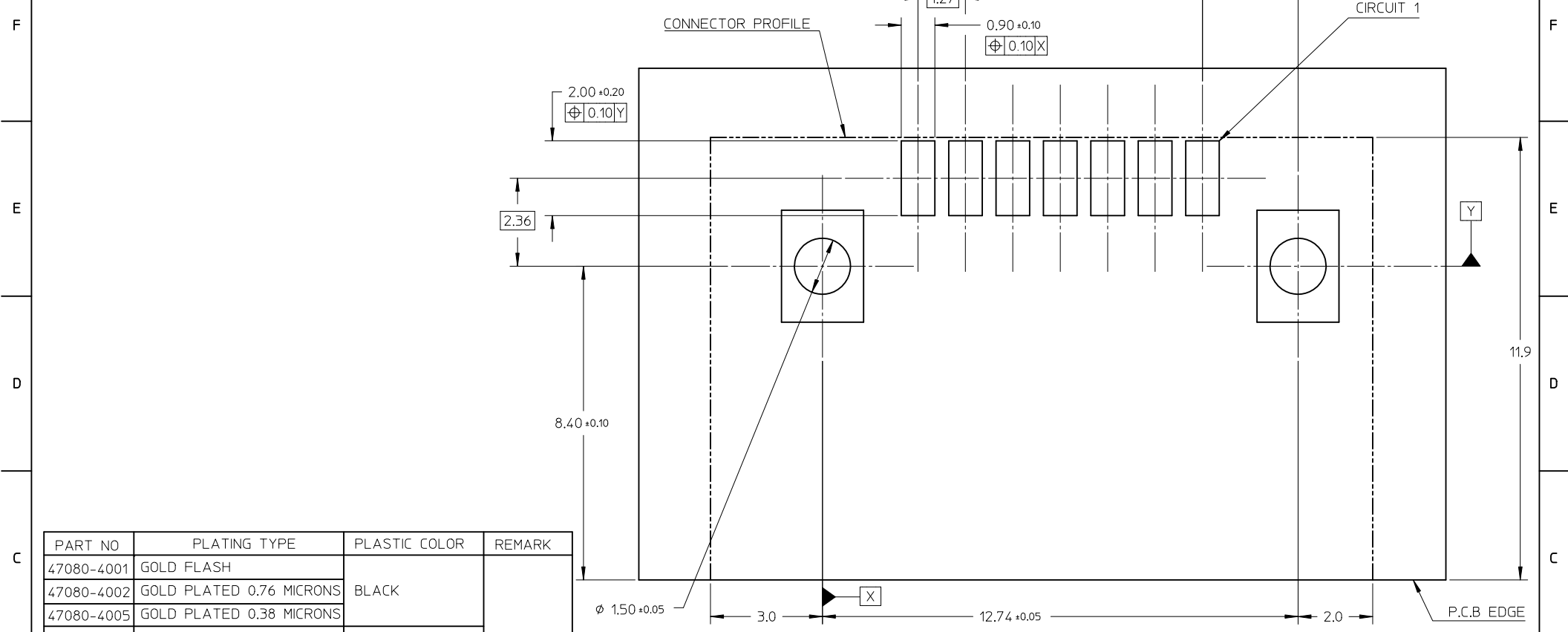
EC NO: SH2012-0143	2011/11/14
DRWN: XZHZHANG	2011/11/16
CHKD: GLLI	2011/11/16
APPR: XJSONG	2011/11/21

REV	DESCRIPTION	QUALITY SYMBOLS
F <sub>A</sub>		=0
F <sub>C</sub>		=0
F <sub>B</sub>		=0

GENERAL TOLERANCES (UNLESS SPECIFIED)	
mm	INCH
4 PLACES	± --- ± ---
3 PLACES	± --- ± ---
2 PLACES	± 0.15 ± ---
1 PLACE	± 0.25 ± ---
ANGULAR ± 1 °	
DRAFT WHERE APPLICABLE MUST REMAIN WITHIN DIMENSIONS	

DIMENSION STYLE	
MM ONLY	
DRAWN BY	DATE
GRATE MA	2004/06/14
CHECKED BY	DATE
GRATE MA	2004/06/14
APPROVED BY	DATE
VINCENT	2004/06/14
MATERIAL NO.	
SEE SHEET 2	

SCALE	DESIGN UNITS	THIRD ANGLE PROJECTION
1:1	METRIC	
TITLE		
SATA SYSTEM PLUG PEG INSERT TYPE WITH SHROUD		
MOLEX INCORPORATED		
DOCUMENT NO.	SHEET NO.	
SD-47080-001	1 OF 2	
THIS DRAWING CONTAINS INFORMATION THAT IS PROPRIETARY TO MOLEX INCORPORATED AND SHOULD NOT BE USED WITHOUT WRITTEN PERMISSION		



PART NO	PLATING TYPE	PLASTIC COLOR	REMARK
47080-4001	GOLD FLASH	BLACK	
47080-4002	GOLD PLATED 0.76 MICRONS		
47080-4005	GOLD PLATED 0.38 MICRONS		
47080-5001	GOLD FLASH	NATURE COLOR	BRIHGT TIN
47080-5002	GOLD PLATED 0.76 MICRONS		
47080-5005	GOLD PLATED 0.38 MICRONS		
47080-6001	GOLD FLASH	PROCESS BLUE C	DELTA E<3
47080-6002	GOLD PLATED 0.76 MICRONS		
47080-6005	GOLD PLATED 0.38 MICRONS		
47080-1010	GOLD FLASH	BLACK	MATTE TIN
47080-1020	GOLD PLATED 0.76 MICRONS		
47080-1030	GOLD PLATED 0.38 MICRONS		
47080-2010	GOLD FLASH	NATURE COLOR	MATTE TIN
47080-2020	GOLD PLATED 0.76 MICRONS		
47080-2030	GOLD PLATED 0.38 MICRONS		
47080-3010	GOLD FLASH	PROCESS BLUE C	DELTA E<3
47080-3020	GOLD PLATED 0.76 MICRONS		
47080-3030	GOLD PLATED 0.38 MICRONS		

SEE SHEET 1 IEC NO: SH2012-0143 DRWN: XQZHANG CH'KD: GLLI APPR: XJ.SONG	QUALITY SYMBOLS $F_{\Delta} = 0$ $F_{\square} = 0$ $F_{\nabla} = 0$	GENERAL TOLERANCES (UNLESS SPECIFIED)		DIMENSION STYLE <b>MM ONLY</b>	SCALE <b>1:1</b>	DESIGN UNITS <b>METRIC</b>	THIRD ANGLE PROJECTION		
		4 PLACES $\pm$ --- $\pm$ ---	3 PLACES $\pm$ --- $\pm$ ---	2 PLACES $\pm 0.15$ $\pm$ ---	1 PLACE $\pm 0.25$ $\pm$ ---	DRAWN BY GRATE MA	DATE 2004/06/14	TITLE <b>SATA SYSTEM PLUG PEG INSERT TYPE WITH SHROUD</b>	
		ANGULAR $\pm 1^{\circ}$		DRAFT WHERE APPLICABLE MUST REMAIN WITHIN DIMENSIONS		CHECKED BY GRATE MA	DATE 2004/06/14	MOLEX INCORPORATED	
		SEE TABLE		MATERIAL NO.	DOCUMENT NO.	SHEET NO.		SD-47080-001 2 OF 2	