



Chipsmall Limited consists of a professional team with an average of over 10 year of expertise in the distribution of electronic components. Based in Hongkong, we have already established firm and mutual-benefit business relationships with customers from,Europe,America and south Asia,supplying obsolete and hard-to-find components to meet their specific needs.

With the principle of “Quality Parts,Customers Priority,Honest Operation,and Considerate Service”,our business mainly focus on the distribution of electronic components. Line cards we deal with include Microchip,ALPS,ROHM,Xilinx,Pulse,ON,Everlight and Freescale. Main products comprise IC,Modules,Potentiometer,IC Socket,Relay,Connector.Our parts cover such applications as commercial,industrial, and automotives areas.

We are looking forward to setting up business relationship with you and hope to provide you with the best service and solution. Let us make a better world for our industry!



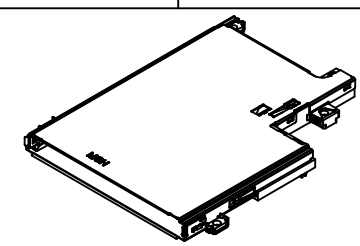
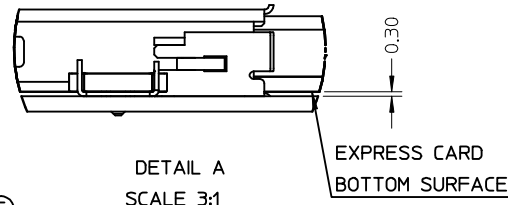
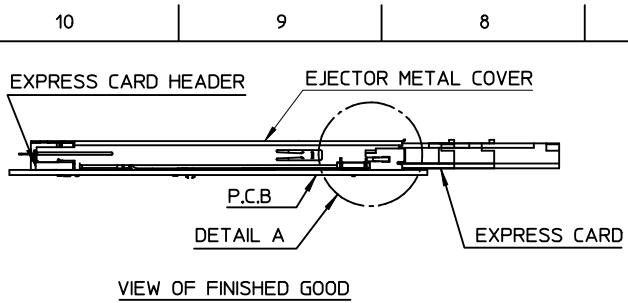
Contact us

Tel: +86-755-8981 8866 Fax: +86-755-8427 6832

Email & Skype: info@chipsmall.com Web: www.chipsmall.com

Address: A1208, Overseas Decoration Building, #122 Zhenhua RD., Futian, Shenzhen, China





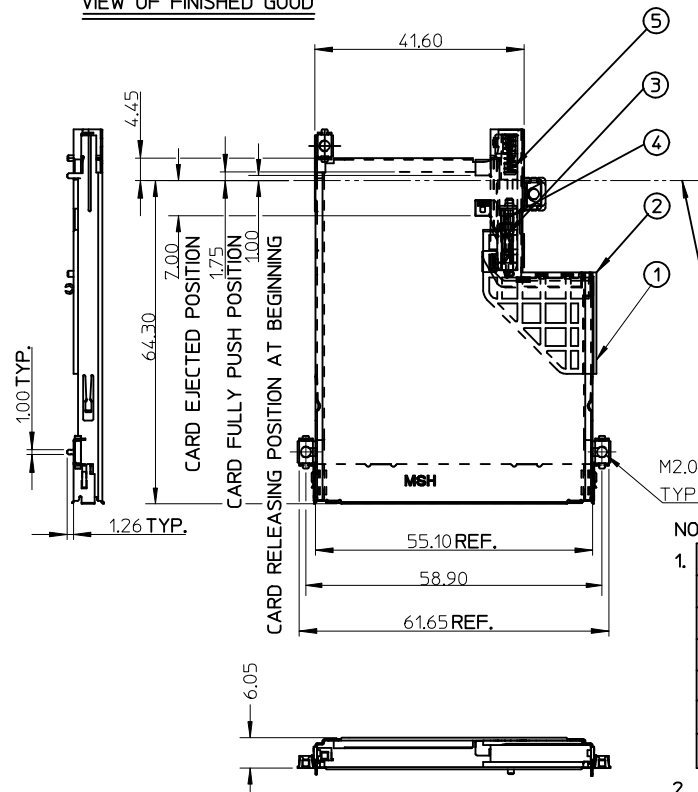
P/N	DESCRIPTION
47150-0003	W/O BOTTOM SHELL
47150-0004	W BOTTOM SHELL

VIEW OF FINISHED GOOD

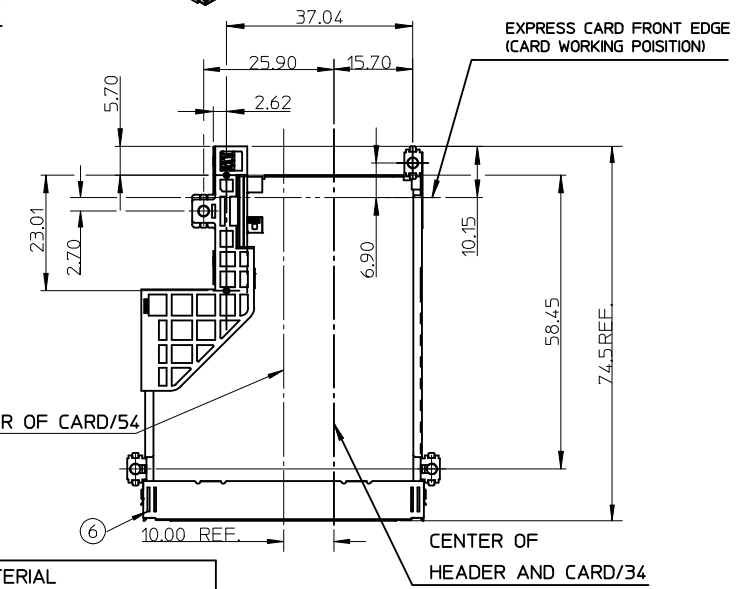
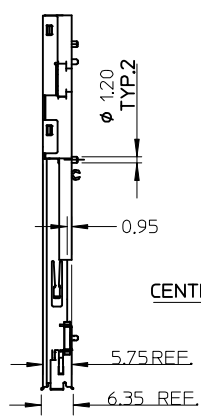
DETAIL A SCALE 3:1

EXPRESS CARD BOTTOM SURFACE

EXPRESS CARD FRONT EDGE (CARD WORKING POSITION)



EXPRESSCARD FRONT EDGE (CARD WORKING POSITION)

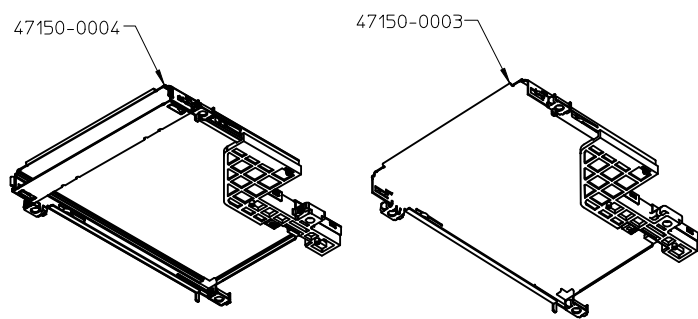


NOTES:

1.	PARTS.	MATERIAL
6.	BOTTOM SHELL	STAINLESS STEEL
5.	COIL SPRING	PIANO WIRE
4.	CAM PIN	STAINLESS STEEL
3.	HEART CAM SLIDER	HIGH TEMPERATURE THERMOPLASTIC
2.	HOUSING FOR HEART CAM	HIGH TEMPERATURE THERMOPLASTIC
1.	METAL COVER	STAINLESS STEEL

- 4. APPLICABLE HEADER: 47150-0002
- 5. WHEN DELIVERING, THE HEART CAM SLIDER IS IN THE STATE OF THE SPRING RELEASED. (CARD EJECTED OUT POSITION).
- 6. SLOT DESIGN BASED ON EXPRESS CARD ASSOC. REV.A.
- 7. EXPRESSCARD SLOT TO BE COMPATIBLE BOTH EXPRESSCARD/34 AND /54.

- 2. THE EJECTOR MECHANISM TO BE ASSEMBLED BASES ON 34 CARD CENTER LINE.
- 3. PRODUCT SPEC. REFERS TO PS-47202-001



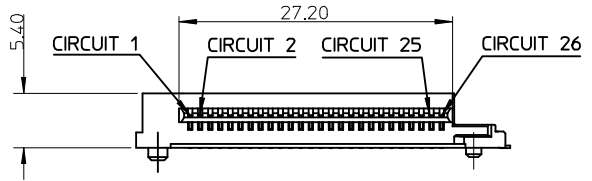
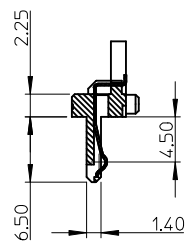
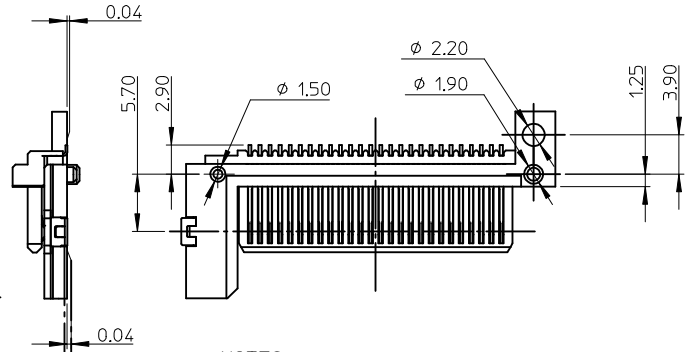
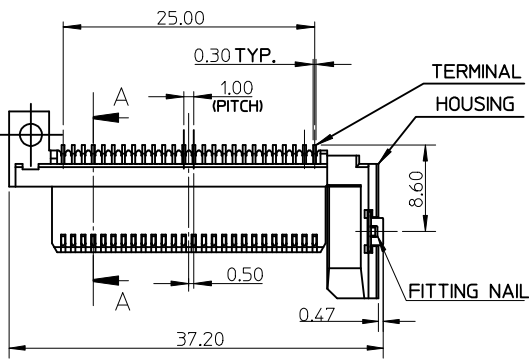
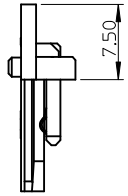
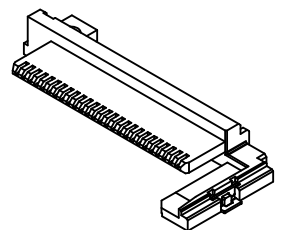
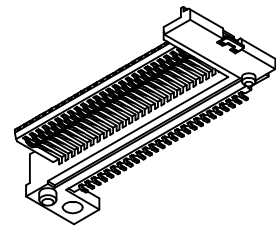
NEW RELEASE EC NO: SH2006-0040 DRWN: LBAO CHKD: APPR: YTYAP	2005/07/25	DESCRIPTION REV
	2005/07/26	
	2005/07/26	
	2005/07/26	

QUALITY SYMBOLS
▽=0
▽=0

GENERAL TOLERANCES (UNLESS SPECIFIED)	DIMENSION STYLE	
	mm	INCH
4 PLACES	± ---	± ---
3 PLACES	± ---	± ---
2 PLACES	± 0.25	± ---
1 PLACE	± 0.25	± ---
ANGULAR ± 3 °		
DRAFT WHERE APPLICABLE MUST REMAIN WITHIN DIMENSIONS		

DRAWN BY R. BIAN		DATE 2004/11/24	
CHECKED BY		DATE	
APPROVED BY		DATE	
MATERIAL NO. SEE TABLE		DOCUMENT NO. SD-47150-001	
THIS DRAWING CONTAINS INFORMATION THAT IS PROPRIETARY TO MOLEX INCORPORATED AND SHOULD NOT BE USED WITHOUT WRITTEN PERMISSION			

SCALE 1:1	DESIGN UNITS METRIC	THIRD ANGLE PROJECTION
TITLE EXPRESSCARD SLOT WITH PUSH-PUSH MECHANISM TOP MOUNT		
MOLEX MOLEX INCORPORATED		
SHEET NO. 1 OF 4		

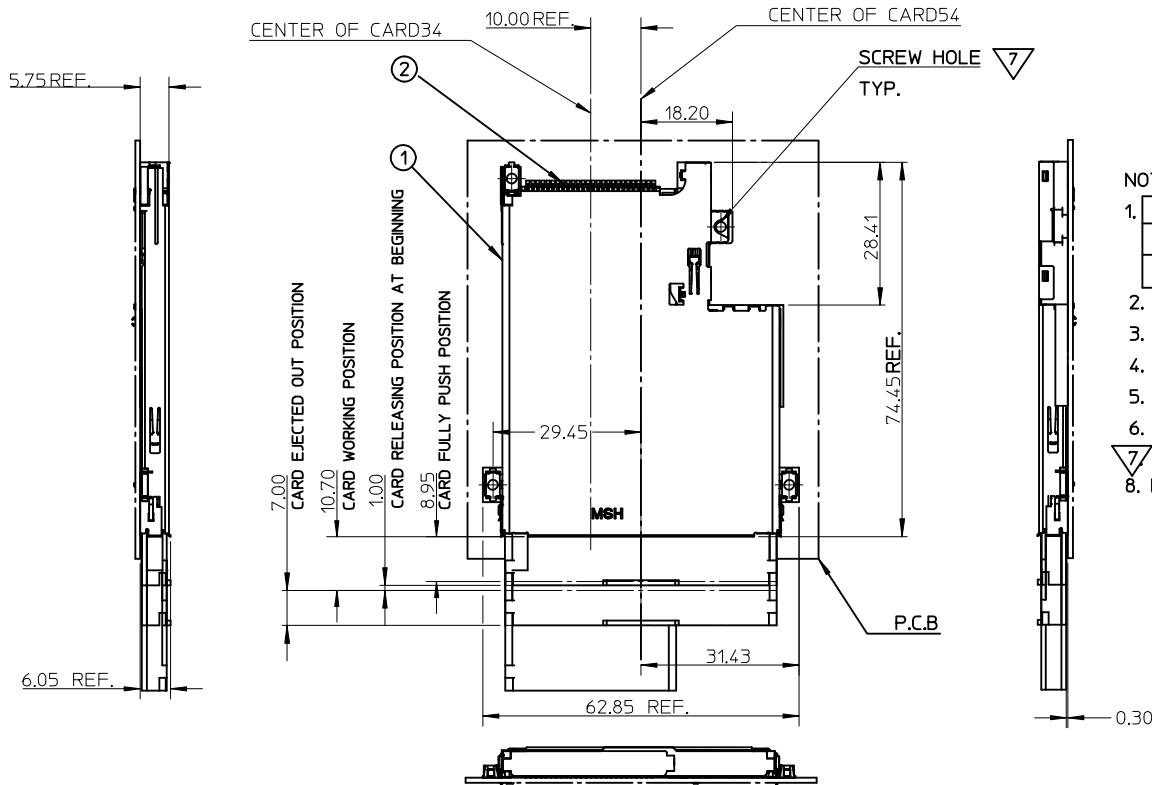
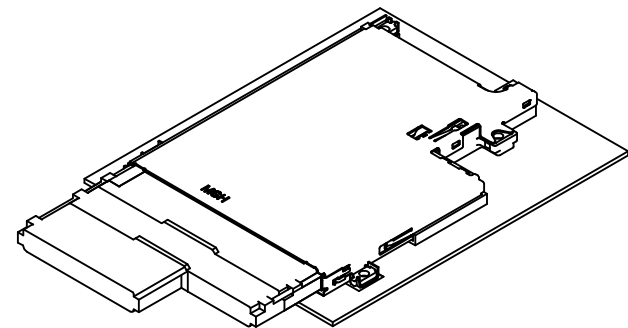
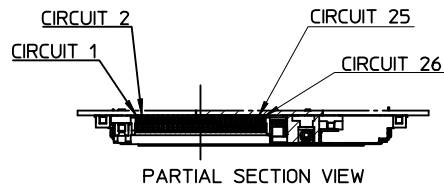


NOTES:

- 1. MATERIAL:
 - HOUSING: HIGH TEMPERATURE THERMOPLASTIC
 - TERMINAL: COPPER ALLOY.
 - FITTING NAIL : COPPER ALLOY.
- 2. FINISH:
 - TERMINAL: SELECTIVE GOLD(AU) IN CONTACT AREA.
 - THICKNESS: 0.3 MICROMETER MIN
 - SELECTIVE PURE TIN IN SOLDER TAIL AREA.
 - THICKNESS: 3 MICROMETER MIN
 - UNDERPLATING : NICKEL(NI) OVERALL
- 3. COPLANARITY AT SOLDER TAIL TO BE 0.1mm MAX.
- 4. PRODUCT SPEC. REFERS TO PS-47202-001
- 5. APPLICABLE EXPRESS CARD SLOT: 47150-0003/47150-0004

SECTION A-A

NEW RELEASE EC NO: SH2006-0040 DRWNLB/AO CHKD: APPR: YTYAP REV: B	2005/07/25 2005/07/26 2005/07/26	DESCRIPTION REV	QUALITY SYMBOLS	GENERAL TOLERANCES (UNLESS SPECIFIED)	DIMENSION STYLE	SCALE	DESIGN UNITS	THIRD ANGLE PROJECTION		
			▼=0 □=0	mm INCH 4 PLACES ± --- ± --- 3 PLACES ± --- ± --- 2 PLACES ± 0.25 ± --- 1 PLACE ± 0.25 ± --- ANGULAR ± 3 °	MM ONLY	2:1	METRIC	DRAWN BY: R. BIAN DATE: 2004/11/24 CHECKED BY: _____ DATE: _____ APPROVED BY: _____ DATE: _____	TITLE	EXPRESSCARD SLOT WITH PUSH-PUSH MECHANISM TOP MOUNT
			DRAFT WHERE APPLICABLE MUST REMAIN WITHIN DIMENSIONS	MATERIAL NO.	DOCUMENT NO.	SHEET NO.	MOLEX INCORPORATED 47150-0002 SD-47150-001 2 OF 4			
			SIZE A3	THIS DRAWING CONTAINS INFORMATION THAT IS PROPRIETARY TO MOLEX INCORPORATED AND SHOULD NOT BE USED WITHOUT WRITTEN PERMISSION						

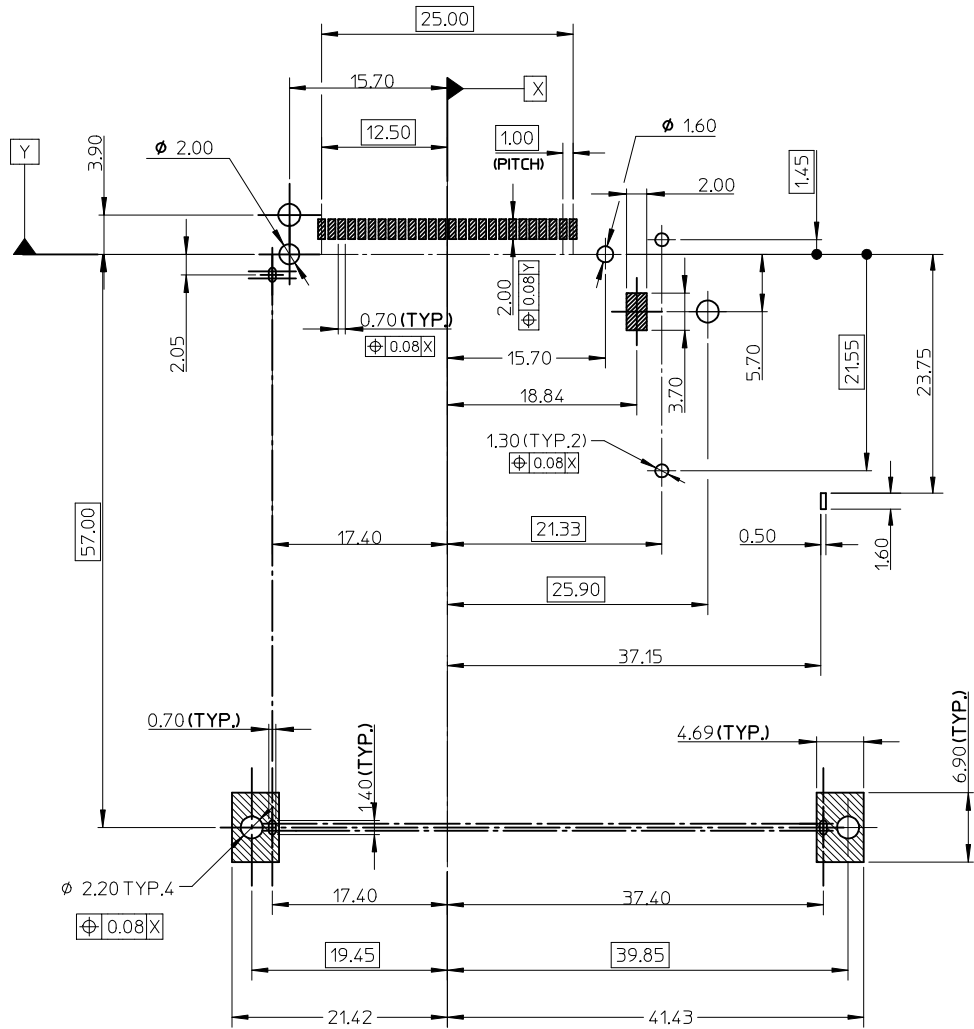


NOTES:

1.	NO.	DRAWING	MATERIAL NO.	DESCRIPTION
	1	SEE SHEET 1	47150-0003/47150-0004	EJECTOR MECHANISM
	2	SEE SHEET 2	47150-0002	CARD HEADER

- P.C.B LAYOUT REFERS TO SHEET 4.
- COPLANRTY OF HEADER FOR SMT SOLDER TAIL TO BE 0.1mm MAX
- PRODUCT SPEC. REFERS TO PS-47202-001.
- SCREW FASTENING TORQUE: 2kgf-cm.
- TRUE POSITION IS 0.15mm MAX BETWEEN SOLDER TAILS.
- 7 USING M2 SCREW AND NUT TO FIX
- NON-REFLOW PROCESS FOR CARD SLOT

NEW RELEASE EC NO: SH2006-0040 DRWNLB0 CHKD: APPR: YTYAP 2005/07/25 2005/07/26 2005/07/26	QUALITY SYMBOLS ▽=0 ◻=0	GENERAL TOLERANCES (UNLESS SPECIFIED) <table border="1"> <thead> <tr> <th></th> <th>mm</th> <th>INCH</th> </tr> </thead> <tbody> <tr> <td>4 PLACES</td> <td>± ---</td> <td>± ---</td> </tr> <tr> <td>3 PLACES</td> <td>± ---</td> <td>± ---</td> </tr> <tr> <td>2 PLACES</td> <td>± 0.25</td> <td>±</td> </tr> <tr> <td>1 PLACE</td> <td>± 0.25</td> <td>±</td> </tr> </tbody> </table>		mm	INCH	4 PLACES	± ---	± ---	3 PLACES	± ---	± ---	2 PLACES	± 0.25	±	1 PLACE	± 0.25	±	DIMENSION STYLE MM ONLY	SCALE 2:1	DESIGN UNITS METRIC	THIRD ANGLE PROJECTION
		mm	INCH																		
	4 PLACES	± ---	± ---																		
	3 PLACES	± ---	± ---																		
2 PLACES	± 0.25	±																			
1 PLACE	± 0.25	±																			
DESCRIPTION EXPRESSCARD SLOT WITH PUSH-PUSH MECHANISM TOP MOUNT	DRAWN BY R.BIAN	DATE 2004/11/24	TITLE																		
DRAFT WHERE APPLICABLE MUST REMAIN WITHIN DIMENSIONS	APPROVED BY	DATE	MOLEX INCORPORATED																		
MATERIAL NO. N/A	DOCUMENT NO. SD-47150-001	SHEET NO. 3 OF 4	THIS DRAWING CONTAINS INFORMATION THAT IS PROPRIETARY TO MOLEX INCORPORATED AND SHOULD NOT BE USED WITHOUT WRITTEN PERMISSION																		



NOTES :

1. SOLDER PAD AREA
2. GROUNDING PAD AREA

<p>NEW RELEASE EC NO: SH2006-0040 DRWN: LBAO CHKD: APPR: YTYAP</p>	<p>2005/07/25 2005/07/26 2005/07/26</p>	<p>DESCRIPTION REV</p>	<p>QUALITY SYMBOLS = 0 = 0</p>	GENERAL TOLERANCES (UNLESS SPECIFIED)		DIMENSION STYLE	SCALE	DESIGN UNITS	THIRD ANGLE PROJECTION
						MM ONLY	1:1	METRIC	
						DRAWN BY	DATE	TITLE	
						CHECKED BY	DATE	EXPRESSCARD SLOT WITH PUSH-PUSH MECHANISM TOP MOUNT	
		APPROVED BY		DATE	MOLEX INCORPORATED				
		MATERIAL NO.		DATE	DOCUMENT NO.				
		N/A		2004/11/24	SD-47150-001				
		SIZE		SHEET NO.					
		A3		4 OF 4					
		DRAFT WHERE APPLICABLE MUST REMAIN WITHIN DIMENSIONS		THIS DRAWING CONTAINS INFORMATION THAT IS PROPRIETARY TO MOLEX INCORPORATED AND SHOULD NOT BE USED WITHOUT WRITTEN PERMISSION					