



Chipsmall Limited consists of a professional team with an average of over 10 year of expertise in the distribution of electronic components. Based in Hongkong, we have already established firm and mutual-benefit business relationships with customers from,Europe,America and south Asia,supplying obsolete and hard-to-find components to meet their specific needs.

With the principle of “Quality Parts,Customers Priority,Honest Operation,and Considerate Service”,our business mainly focus on the distribution of electronic components. Line cards we deal with include Microchip,ALPS,ROHM,Xilinx,Pulse,ON,Everlight and Freescale. Main products comprise IC,Modules,Potentiometer,IC Socket,Relay,Connector.Our parts cover such applications as commercial,industrial, and automotives areas.

We are looking forward to setting up business relationship with you and hope to provide you with the best service and solution. Let us make a better world for our industry!



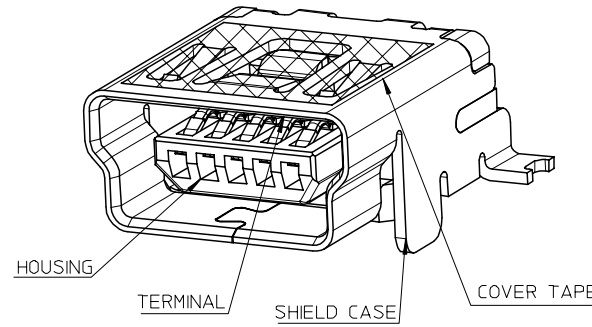
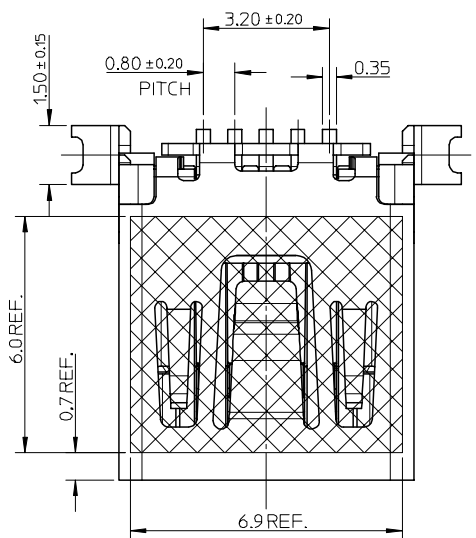
Contact us

Tel: +86-755-8981 8866 Fax: +86-755-8427 6832

Email & Skype: info@chipsmall.com Web: www.chipsmall.com

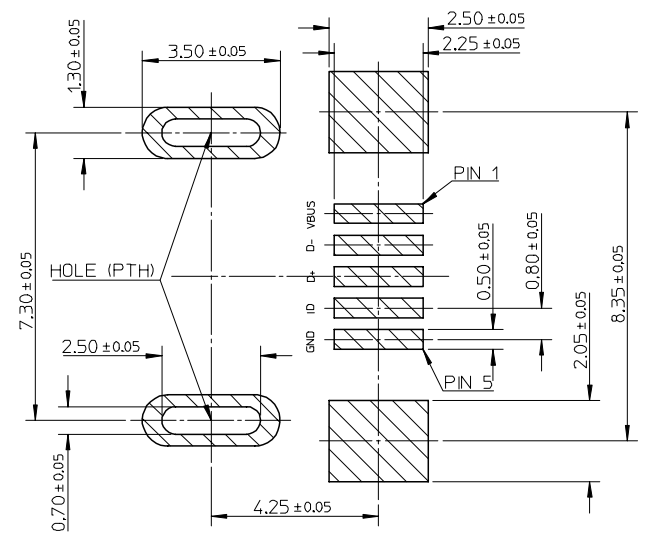
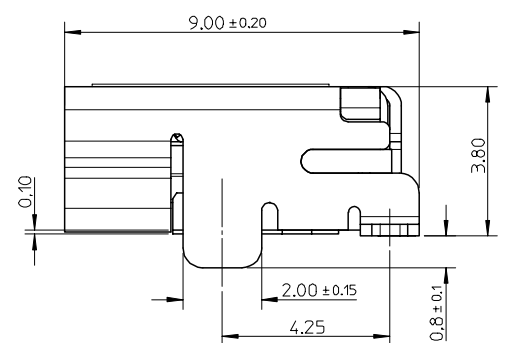
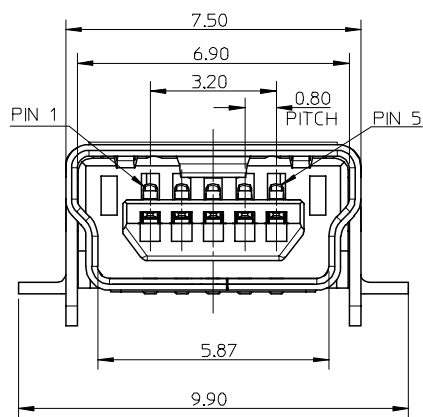
Address: A1208, Overseas Decoration Building, #122 Zhenhua RD., Futian, Shenzhen, China





NOTE :

- MATERIAL :
HOUSING : NYLON GLASS FILLED , BLACK,UL94V-0
TERMINAL : COPPER ALLOY THICKNESS = 0.2 MM
SHIELD CASE : STAINLESS STEEL THICKNESS = 0.3 MM
- PLATING :
TERMINAL:
CONTACT AREA : GOLD 0.76 MICROMETER MINIMUM.
SOLDER TAIL AREA : MATTE TIN 3.8 MICROMETER MIN.
UNDER PLATING : NICKEL 1.27 MICROMETER MINIMUM.
SHIELD CASE :
2.5-4 MICROMETER SOLDERABLE NICKLE PLATING.
- TAIL & NAIL COPLANARITY 0.08 mm MAXIMUM.
- PRODUCT SPEC: PS-47153-001.
- PACKAGE INFORMATION: PER PK-47153-001.
- COMPLIANT TO RoHS DIRECTIVE 2002/95/EC AND ELV DIRECTIVE 2000/53/EC.



REVISE EC NO: DRWN: XJ SONG CHKD: APPR: HWANG	2007/11/19 2007/11/20 2007/11/28	DESCRIPTION REV	QUALITY SYMBOLS	GENERAL TOLERANCES (UNLESS SPECIFIED)	DIMENSION STYLE	SCALE	DESIGN UNITS	THIRD ANGLE PROJECTION
			$\nabla=0$ $\triangle=0$	mm INCH	MM ONLY	1:1	METRIC	□ ▽ ○
			4 PLACES ± --- ± --- 3 PLACES ± --- ± --- 2 PLACES ± 0.25 ± --- 1 PLACE ± 0.25 ± --- ANGULAR ± 3 °	DRAWN BY DATE XJ SONG 2006/05/09 CHECKED BY DATE IWANG 2006/05/09 APPROVED BY DATE JNCHEN 2006/05/09	TITLE	USB SERIES MINI-B REC. ASS'Y DIP TYPE LEAD FREE		
			DRAFT WHERE APPLICABLE MUST REMAIN WITHIN DIMENSIONS	MATERIAL NO. 47153-1002	DOCUMENT NO. SD-47153-002		SHEET NO. 1 OF 1	

