



Chipsmall Limited consists of a professional team with an average of over 10 year of expertise in the distribution of electronic components. Based in Hongkong, we have already established firm and mutual-benefit business relationships with customers from,Europe,America and south Asia,supplying obsolete and hard-to-find components to meet their specific needs.

With the principle of “Quality Parts,Customers Priority,Honest Operation,and Considerate Service”,our business mainly focus on the distribution of electronic components. Line cards we deal with include Microchip,ALPS,ROHM,Xilinx,Pulse,ON,Everlight and Freescale. Main products comprise IC,Modules,Potentiometer,IC Socket,Relay,Connector.Our parts cover such applications as commercial,industrial, and automotives areas.

We are looking forward to setting up business relationship with you and hope to provide you with the best service and solution. Let us make a better world for our industry!



## Contact us

Tel: +86-755-8981 8866 Fax: +86-755-8427 6832

Email & Skype: info@chipsmall.com Web: www.chipsmall.com

Address: A1208, Overseas Decoration Building, #122 Zhenhua RD., Futian, Shenzhen, China



## General Specifications

**Motor Structure:** Shaded Pole Induction Motor  
**Motor Protection:** Impedance Protection  
**Insulation Resistance:**  
 10M Ω or over with a DC500V Megger  
**Dielectric Withstand Voltage:** AC 700V 1s  
**Allowable Ambient Temperature Range:**  
 -10°C ~ +65°C (Operating)  
 -40°C ~ +70°C (Storage)  
 (non-condensing environment)

## Expected Life

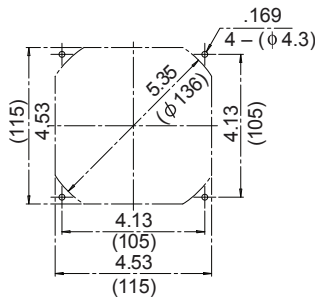
**Failure Rate: 10%**  
 25°C 100,000 Hours

## Material

**Casing** : Aluminum (Black Painting)  
**Impeller** : Plastic (Black) UL94V-0  
**Bearing** : Ball Bearings  
**Lead Wire** : AWG22, UL3266  
**or Terminal** : Faston #110 or equivalent

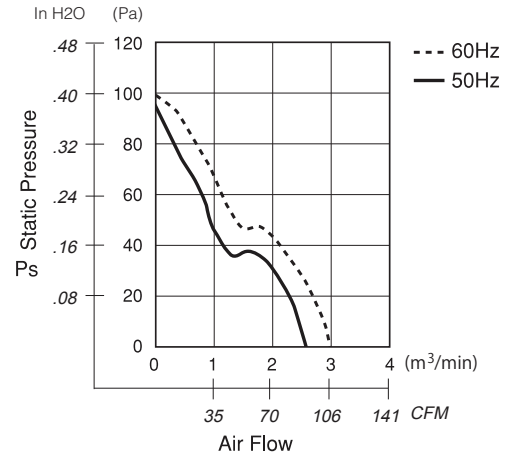
## Panel Cut-Outs

Units:  $\frac{\text{inch}}{\text{mm}}$

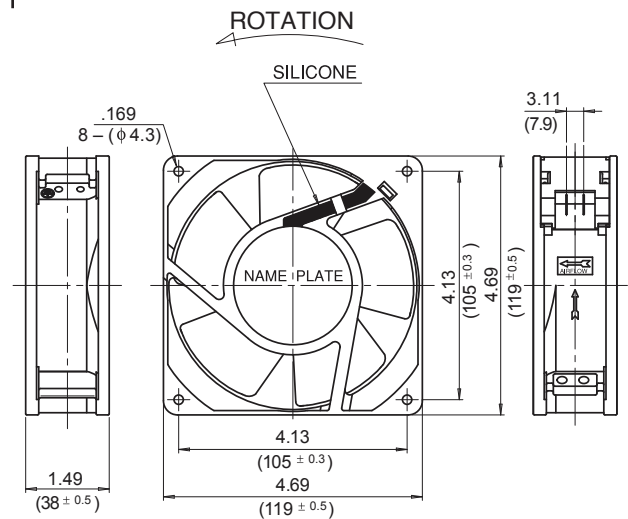


INLET SIDE / OUTLET SIDE

## Characteristic Curves



## Outline



## Specifications

| MODEL                | LEGACY P/N         | Rated Voltage | Frequency | Starting Voltage | Current          | Input Power | Speed                             | Max. Air Flow    |                       | Max. Static Pressure |                   | Noise             | Mass |
|----------------------|--------------------|---------------|-----------|------------------|------------------|-------------|-----------------------------------|------------------|-----------------------|----------------------|-------------------|-------------------|------|
|                      |                    | (V)           | (Hz)      | (V)              | (A) <sup>1</sup> | (W)         | (min <sup>-1</sup> ) <sup>2</sup> | CFM <sup>1</sup> | (m³/min) <sup>2</sup> | in H <sub>2</sub> O  | (Pa) <sup>2</sup> | (dB) <sup>2</sup> | (g)  |
| ** 11938SB-A0N-QA-00 | 4715HS-10T-B50-BM0 | 100           | 50        | 65               | 0.370            | 18.0        | 2600                              | 91.8             | 2.60                  | 0.380                | 94.0              | 40                | 610  |
|                      |                    | 100           | 60        | 65               | 0.290            | 15.5        | 3100                              | 105.9            | 3.00                  | 0.400                | 100.0             | 44                | 610  |
| 11938SB-A1N-QA-U0    | 4715HS-12T-B50-AM0 | 115           | 50        | 75               | 0.320            | 18.0        | 2600                              | 91.8             | 2.60                  | 0.380                | 94.0              | 40                | 610  |
|                      |                    | 115           | 60        | 75               | 0.250            | 15.5        | 3100                              | 105.9            | 3.00                  | 0.400                | 100.0             | 44                | 610  |
| ** 11938SB-B0N-QA-00 | 4715HS-20T-B50-BM0 | 200           | 50        | 130              | 0.180            | 18.0        | 2600                              | 91.8             | 2.60                  | 0.380                | 94.0              | 40                | 610  |
|                      |                    | 200           | 60        | 130              | 0.150            | 15.5        | 3100                              | 105.9            | 3.00                  | 0.400                | 100.0             | 44                | 610  |
| ** 11938SB-B2N-QA-00 | 4715HS-22T-B50-BM0 | 220           | 50        | 145              | 0.160            | 18.0        | 2600                              | 91.8             | 2.60                  | 0.380                | 94.0              | 40                | 610  |
|                      |                    | 220           | 60        | 145              | 0.130            | 15.5        | 3100                              | 105.9            | 3.00                  | 0.400                | 100.0             | 44                | 610  |
| 11938SB-B3N-QA-U0    | 4715HS-23T-B50-AM0 | 230           | 50        | 175              | 0.160            | 18.0        | 2600                              | 91.8             | 2.60                  | 0.380                | 94.0              | 40                | 610  |
|                      |                    | 230           | 60        | 175              | 0.120            | 15.5        | 3100                              | 105.9            | 3.00                  | 0.400                | 100.0             | 44                | 610  |
| ** 11938SB-B4N-QA-00 | 4715HS-24T-B50-AM0 | 240           | 50        | 175              | 0.150            | 18.0        | 2600                              | 91.8             | 2.60                  | 0.380                | 94.0              | 40                | 610  |
|                      |                    | 240           | 60        | 175              | 0.120            | 15.5        | 3100                              | 105.9            | 3.00                  | 0.400                | 100.0             | 44                | 610  |

Rotation: Counterclockwise      Airflow Outlet: Air Out Over Struts  
 \*\* Contact NMB for Availability

\*1: Maximum Values in Free Air  
 \*2: Average Values in Free Air  
 \*3: Minimum Values in Free Air