



Chipsmall Limited consists of a professional team with an average of over 10 year of expertise in the distribution of electronic components. Based in Hongkong, we have already established firm and mutual-benefit business relationships with customers from,Europe,America and south Asia,supplying obsolete and hard-to-find components to meet their specific needs.

With the principle of “Quality Parts,Customers Priority,Honest Operation,and Considerate Service”,our business mainly focus on the distribution of electronic components. Line cards we deal with include Microchip,ALPS,ROHM,Xilinx,Pulse,ON,Everlight and Freescale. Main products comprise IC,Modules,Potentiometer,IC Socket,Relay,Connector.Our parts cover such applications as commercial,industrial, and automotives areas.

We are looking forward to setting up business relationship with you and hope to provide you with the best service and solution. Let us make a better world for our industry!



## Contact us

Tel: +86-755-8981 8866 Fax: +86-755-8427 6832

Email & Skype: info@chipsmall.com Web: www.chipsmall.com

Address: A1208, Overseas Decoration Building, #122 Zhenhua RD., Futian, Shenzhen, China



## General Specifications

Motor Structure: Shaded Pole Induction Motor  
 Motor Protection: B5A Class : Thermal Protection  
 Insulation Resistance:  
 10M Ω or over with a DC500V Megger  
 Dielectric Withstand Voltage: AC 700V 1s  
 Allowable Ambient Temperature Range:  
 -10°C ~ +60°C (Operating)  
 -40°C ~ +70°C (Storage)  
 (non-condensing environment)

## Expected Life

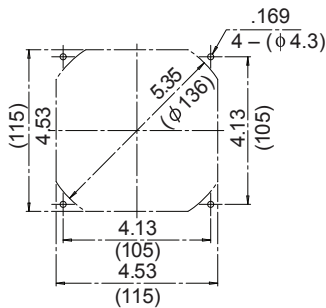
Failure Rate: 10%  
 25°C 90,000 Hours

## Material

Casing : Aluminum (Black Painting)  
 Impeller : Steel  
 Bearing : Ball Bearings  
 Lead Wire : AWG22, UL3266  
 or Terminal : Faston #110 or equivalent

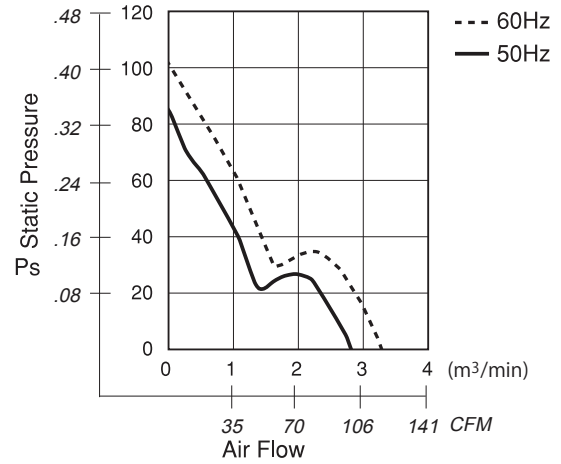
## Panel Cut-Outs

Units: inch  
(mm)

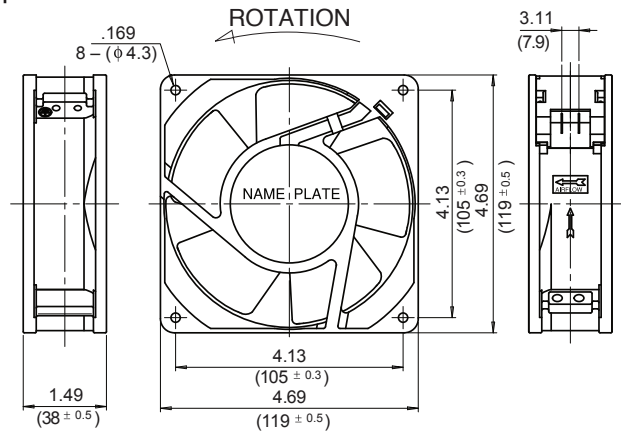


INLET SIDE / OUTLET SIDE

## Characteristic Curves



## Outline



## Specifications

MODEL	LEGACY P/N	Rated Voltage	Frequency	Starting Voltage	Current	Input Power	Speed	Max. Air Flow		Max. Static Pressure		Noise	Mass
		(V)	(Hz)	(V)	(A) <sup>*1</sup>	(W)	(min <sup>-1</sup> ) <sup>*2</sup>	CFM <sup>*1</sup>	(m <sup>3</sup> /min) <sup>*2</sup>	in H <sub>2</sub> O	(Pa) <sup>*2</sup>	(dB) <sup>*2</sup>	(g)
** 11938TB-A0N-NP-00	4715TS-10T-B5A-B00	100	50	65	0.450	20.0	2600	98.84	2.80	0.352	88.0	46	610
		100	60	65	0.340	17.0	3100	116.49	3.30	0.400	100.0	50	610
11938TB-A1N-NP-00	4715TS-12T-B5A-A00	115	50	75	0.390	21.0	2600	98.84	2.80	0.352	88.0	46	610
		115	60	75	0.300	17.0	3100	116.49	3.30	0.400	100.0	50	610
** 11938TB-B0N-NP-00	4715TS-20T-B5A-B00	200	50	130	0.220	21.0	2600	98.84	2.80	0.352	88.0	46	610
		200	60	130	0.170	17.0	3100	116.49	3.30	0.400	100.0	50	610
** 11938TB-B2N-NP-00	4715TS-22T-B5A-B00	220	50	145	0.200	20.0	2600	98.84	2.80	0.352	88.0	46	610
		220	60	145	0.150	17.0	3100	116.49	3.30	0.400	100.0	50	610
11938TB-B3N-NP-00	4715TS-23T-B5A-A00	230	50	175	0.190	21.0	2600	98.84	2.80	0.352	88.0	46	610
		230	60	175	0.140	17.0	3100	116.49	3.30	0.400	100.0	50	610
** 11938TB-B4N-NP-00	4715TS-24T-B5A-A00	240	50	175	0.180	20.0	2600	98.84	2.80	0.352	88.0	46	610
		240	60	175	0.140	17.0	3100	116.49	3.30	0.400	100.0	50	610

Rotation: Counterclockwise

Airflow Outlet: Air Out Over Struts

\*\* Contact NMB for Availability

\*1: Maximum Values in Free Air

\*2: Average Values in Free Air

\*3: Minimum Values in Free Air