



Chipsmall Limited consists of a professional team with an average of over 10 year of expertise in the distribution of electronic components. Based in Hongkong, we have already established firm and mutual-benefit business relationships with customers from,Europe,America and south Asia,supplying obsolete and hard-to-find components to meet their specific needs.

With the principle of “Quality Parts,Customers Priority,Honest Operation,and Considerate Service”,our business mainly focus on the distribution of electronic components. Line cards we deal with include Microchip,ALPS,ROHM,Xilinx,Pulse,ON,Everlight and Freescale. Main products comprise IC,Modules,Potentiometer,IC Socket,Relay,Connector.Our parts cover such applications as commercial,industrial, and automotives areas.

We are looking forward to setting up business relationship with you and hope to provide you with the best service and solution. Let us make a better world for our industry!



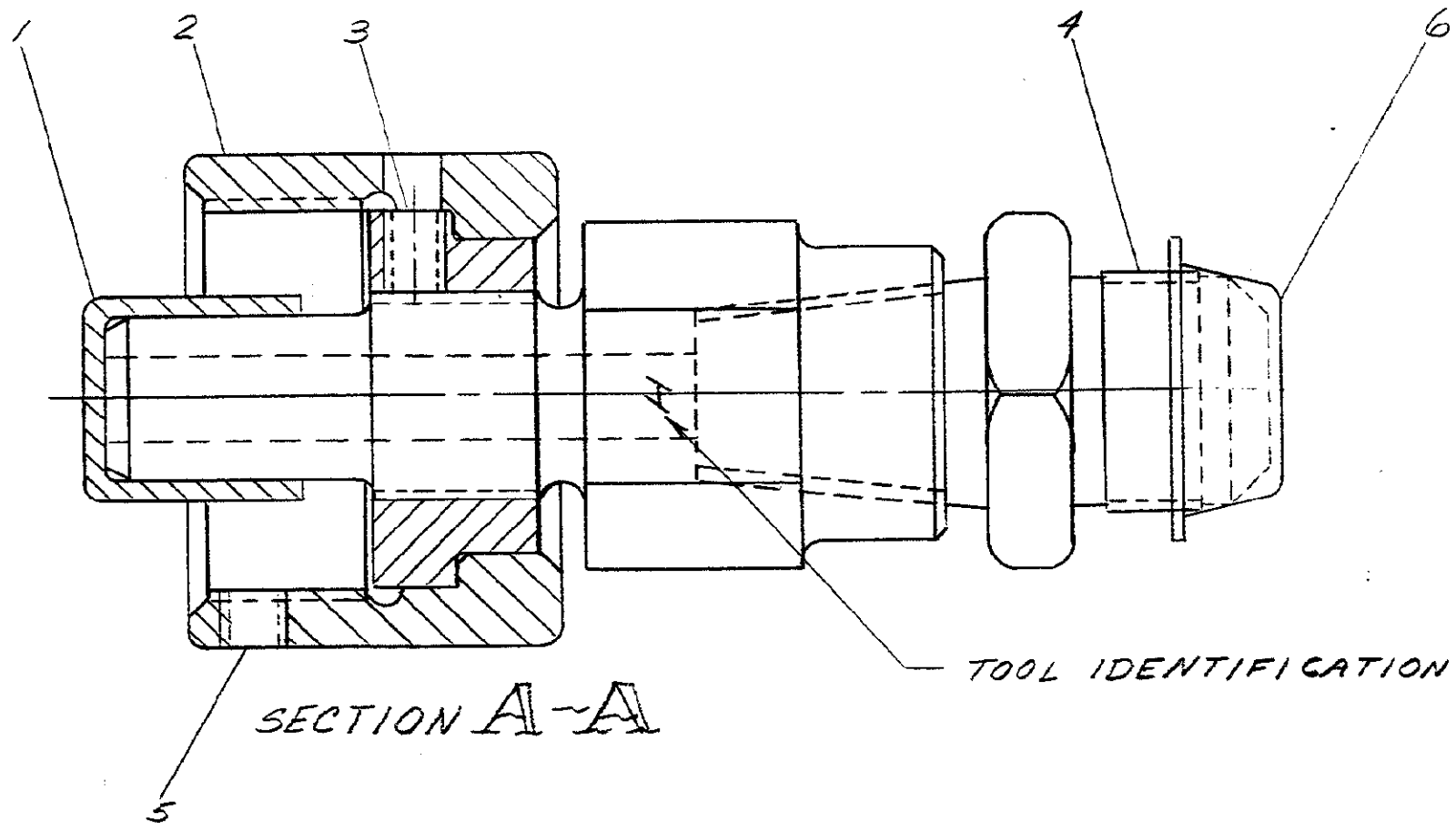
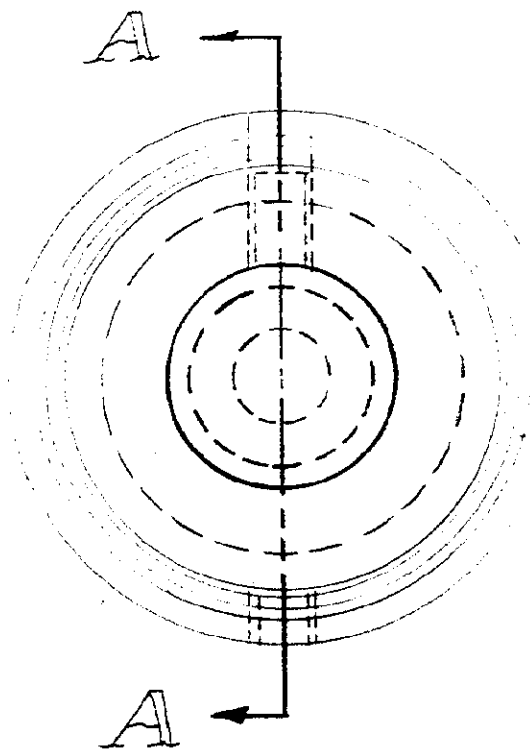
Contact us

Tel: +86-755-8981 8866 Fax: +86-755-8427 6832

Email & Skype: info@chipsmall.com Web: www.chipsmall.com

Address: A1208, Overseas Decoration Building, #122 Zhenhua RD., Futian, Shenzhen, China





SECTION A-A

TOOL IDENTIFICATION

1	1-22541-8	CAP PROTECTIVE	6
1	3-21003-9	SCREW (8-32 UNC-3A X .138)	5
1	305118	CONNECTOR-MALE	4
1	21059-2	SCREW	3
1	301721	COLLAR	2
1	302222	PLASTIC CAP	1

QTY	NUMBER	NAME	REMARKS	ITEM NO
	© 1969 BY AMP INCORPORATED. ALL RIGHTS RESERVED. AMP PRODUCTS COVERED BY PATENTS AND/OR PATENTS PENDING.			
DR		MATERIAL AND FINISH		AMP AMP INCORPORATED HARRISBURG, PENNA. CLASS USED ON 69325
CHK		+		
DE		WIRE - RANGE - INSULATION		TYPE TOLERANCE EXCEPT AS NOTED ± .015 ± 1° 0'
		+		
SCALE		LOC		NO
2-1		M B		47206
NAME		REV		
COUPLING ASSEMBLY		HA		

REVISION	DATE	CHK	DR	DESCRIPTION	NUMBER
H-4 REVISED	9-30-69	BWS			47206
H-3 REVISED	1-29-72	B.S.	EJF		
H-2 REVISED	12-16-71	B.S.	EJF		
H-1 REVISED	8-26-70	PL	EJF		
H REVISED	5-14-69	PL	R		
LTR	REVISION RECORD	DR	CHK	DATE	

DIMENSIONS IN INCHES. DO NOT SCALE PRINT.

PRINT DIST