



Chipsmall Limited consists of a professional team with an average of over 10 year of expertise in the distribution of electronic components. Based in Hongkong, we have already established firm and mutual-benefit business relationships with customers from,Europe,America and south Asia,supplying obsolete and hard-to-find components to meet their specific needs.

With the principle of “Quality Parts,Customers Priority,Honest Operation,and Considerate Service”,our business mainly focus on the distribution of electronic components. Line cards we deal with include Microchip,ALPS,ROHM,Xilinx,Pulse,ON,Everlight and Freescale. Main products comprise IC,Modules,Potentiometer,IC Socket,Relay,Connector.Our parts cover such applications as commercial,industrial, and automotives areas.

We are looking forward to setting up business relationship with you and hope to provide you with the best service and solution. Let us make a better world for our industry!



Contact us

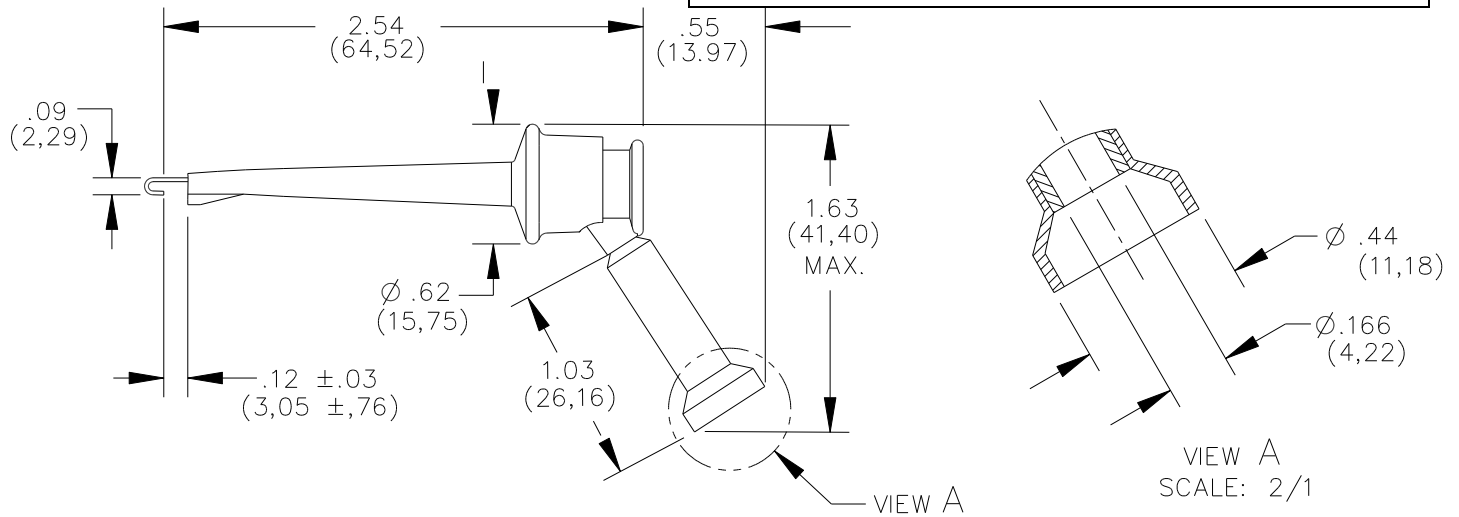
Tel: +86-755-8981 8866 Fax: +86-755-8427 6832

Email & Skype: info@chipsmall.com Web: www.chipsmall.com

Address: A1208, Overseas Decoration Building, #122 Zhenhua RD., Futian, Shenzhen, China



Model 4723 Minigrabber® With Banana Jack



FEATURES:

- This Minigrabber test clip has a standard banana jack built right into the plunger.
- Excellent for attaching the Grabber test clip directly to the end of a banana plug patch cord.

MATERIALS:

Contact: Beryllium Copper per QQ-C-533, Alloy 165, ¼ HM.

Spring Stainless steel #302

Banana Jack: Brass per QQ-B-626, Alloy 360, ½ Hard.

Finish:

Contact: Gold plated per MIL-G-45204, Type I, Class 00

Banana Jack: Nickel plated per QQ-N-290, Class 1, 200/300 microinches.

Insulation:

Glass filled Nylon.

Marking: "POMONA ELECTRONICS, CALIF." "4723" "MINIGRABBER®".

RATINGS:

Operating Temperature: +102°C. (+216°F.) Max.

Operating Voltage: Hand-held testing: 30VAC/60VDC Max.

Current: 5 Amperes

ORDERING INFORMATION: Model 4723-*

*=Color, -0 Black, -2 Red,

Ordering Example: 4723-2 Adapter Color is Red.

All dimensions are in inches. Tolerances (except noted): .xx = ±.02" (.51 mm), .xxx = ±.005" (.127 mm).

All specifications are to the latest revisions. Specifications are subject to change without notice.

Registered trademarks are the property of their respective companies. Made in USA