



Chipsmall Limited consists of a professional team with an average of over 10 year of expertise in the distribution of electronic components. Based in Hongkong, we have already established firm and mutual-benefit business relationships with customers from,Europe,America and south Asia,supplying obsolete and hard-to-find components to meet their specific needs.

With the principle of “Quality Parts,Customers Priority,Honest Operation,and Considerate Service”,our business mainly focus on the distribution of electronic components. Line cards we deal with include Microchip,ALPS,ROHM,Xilinx,Pulse,ON,Everlight and Freescale. Main products comprise IC,Modules,Potentiometer,IC Socket,Relay,Connector.Our parts cover such applications as commercial,industrial, and automotives areas.

We are looking forward to setting up business relationship with you and hope to provide you with the best service and solution. Let us make a better world for our industry!



Contact us

Tel: +86-755-8981 8866 Fax: +86-755-8427 6832

Email & Skype: info@chipsmall.com Web: www.chipsmall.com

Address: A1208, Overseas Decoration Building, #122 Zhenhua RD., Futian, Shenzhen, China



10 9 8 7 6 5 4 3 2 1

F

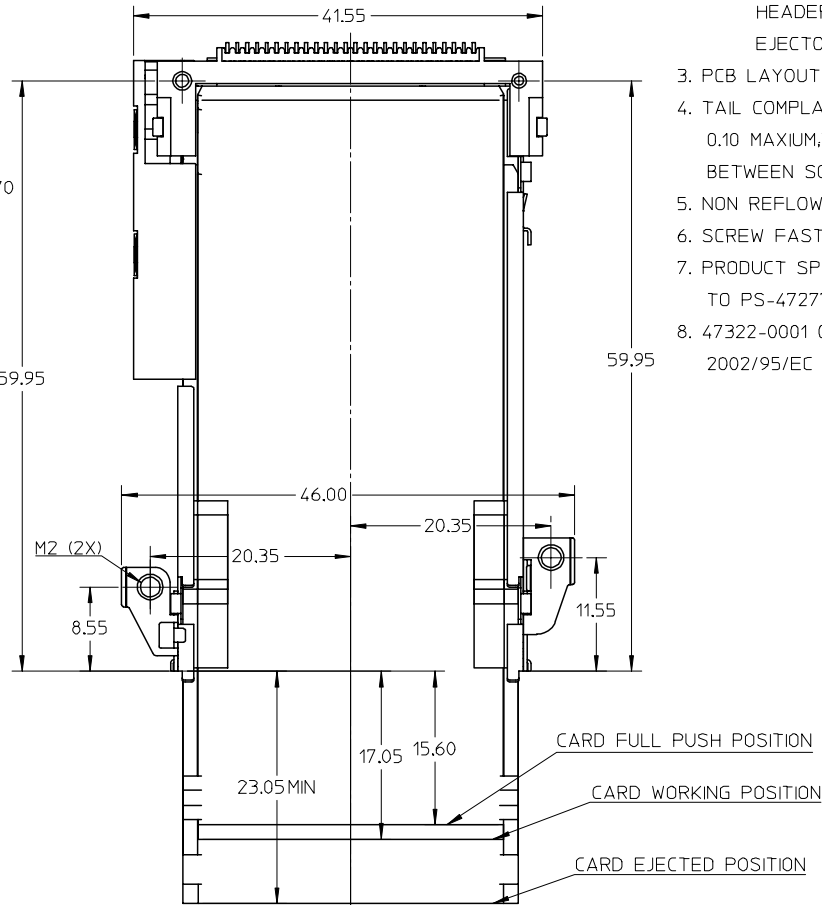
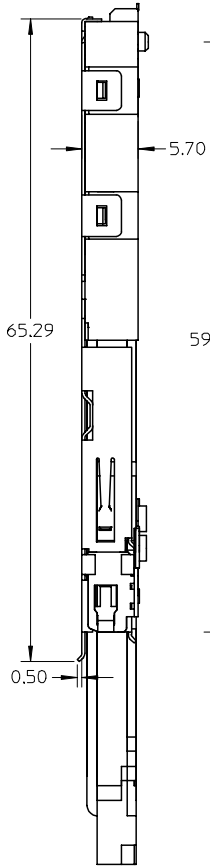
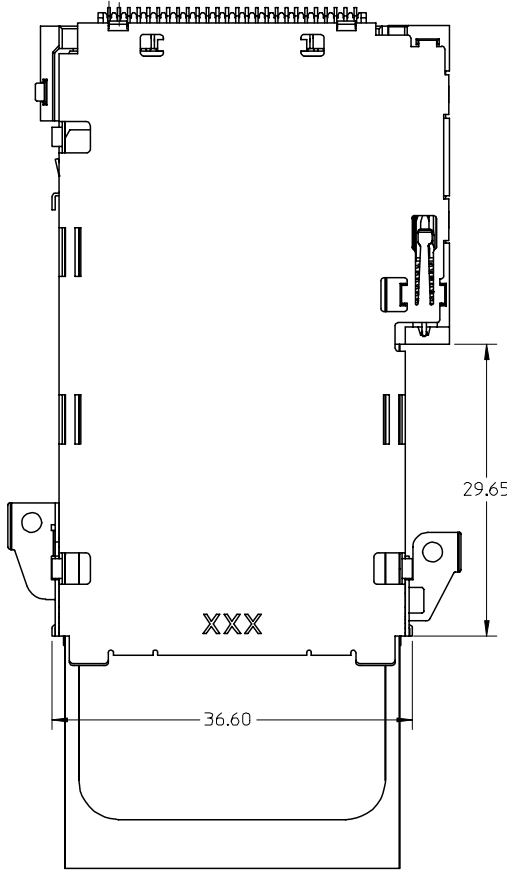
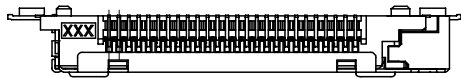
E

D

C

B

A



NOTES:

1. CONNECTOR DESIGN BASED ON EXPRESSCARD STANDARD;
2. COMPONENTS:
 HEADER: SHEET 2
 EJECTOR: SHEET 3
3. PCB LAYOUT PLEASE REFER TO SHEET 4,
4. TAIL COMPLANARITY OF HEADER TO BE 0.10 MAXIMUM, TRUE POSITION IS 0.15 MAXIMUM BETWEEN SOLDER TAILS;
5. NON REFLOW PROCESS FOR EJECTOR.
6. SCREW FASTENING TORQUE: 1.0 KGF-CM;
7. PRODUCT SPECIFICATION PLEASE REFER TO PS-47277-001.
8. 47322-0001 COMPLIANT TO RoHS DIRECTIVE 2002/95/EC AND ELV DIRECTIVE 2000/53/EC.

F

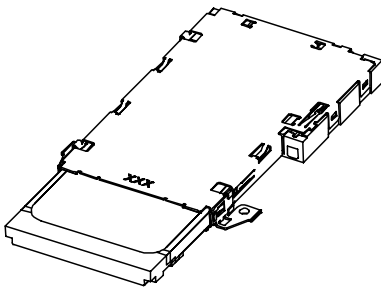
E

D

C

B

A



| | | | |
|--------------------|--------------|--------------|------------|
| EC NO: SH2007-0352 | 2006/11/17 | 2006/11/22 | 2006/11/28 |
| DRWN: CHEN | CHKD: HARVEY | APPR: JNCHEN | |
| REV | DESCRIPTION | | |
| A1 | | | |

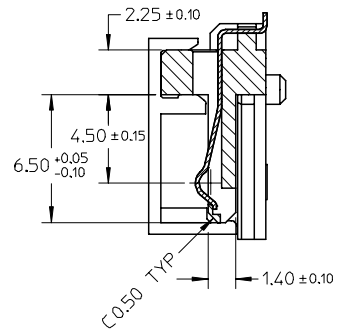
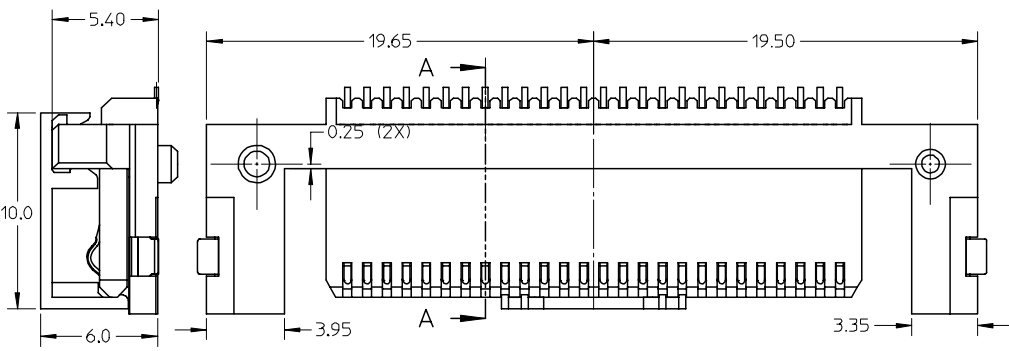
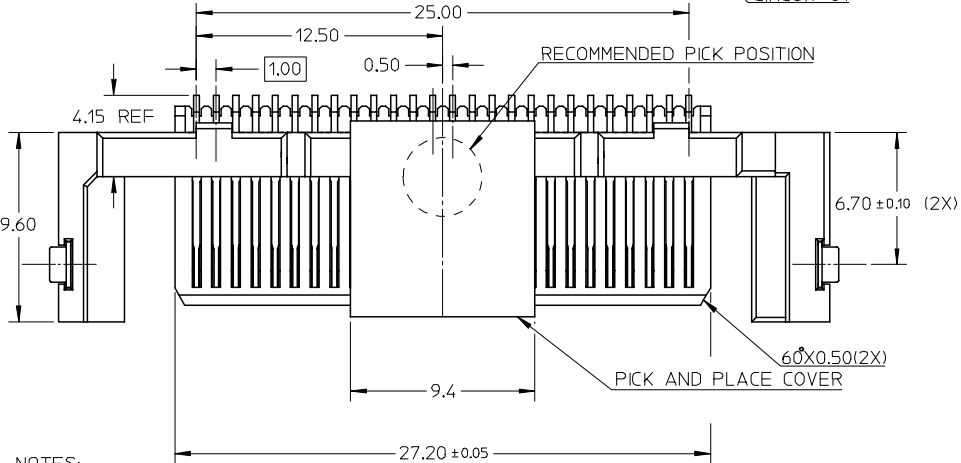
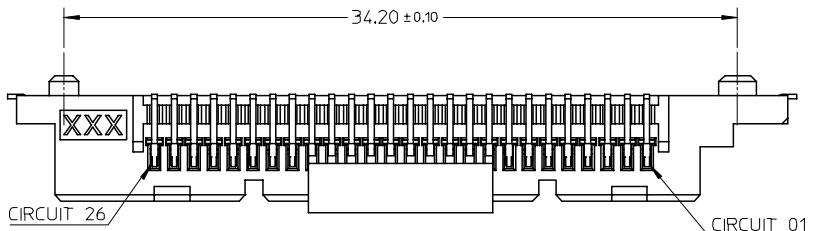
| | | |
|-----------------|-----|------|
| QUALITY SYMBOLS | ▽=0 | ▽C=0 |
|-----------------|-----|------|

| | | |
|--|--------|---------|
| GENERAL TOLERANCES (UNLESS SPECIFIED) | mm | INCH |
| 4 PLACES | ± 0.15 | ± 0.006 |
| 3 PLACES | ± 0.25 | ± 0.010 |
| 2 PLACES | ± 0.30 | ± 0.012 |
| 1 PLACE | ± 0.50 | ± 0.020 |
| ANGULAR ± 3 ° | | |
| DRAFT WHERE APPLICABLE MUST REMAIN WITHIN DIMENSIONS | | |

| | | | | |
|-----------------|------------|--|--------------|------------------------|
| DIMENSION STYLE | | SCALE | DESIGN UNITS | THIRD ANGLE PROJECTION |
| MM ONLY | | NTS | METRIC | |
| DRAWN BY | DATE | TITLE | | |
| R. BIAN | 2005/05/20 | EXPRESSCARD 34MM BOTTOM MOUNT PUSH-PUSH TYPE | | |
| CHECKED BY | DATE | MOLEX INCORPORATED | | |
| HARVEY | 2006/04/18 | | | |
| APPROVED BY | DATE | DOCUMENT NO. | | |
| JENNY | 2006/04/18 | SD-47322-001 | | |
| MATERIAL NO. | 47322-0001 | SHEET NO. | | |
| | | 1 OF 4 | | |

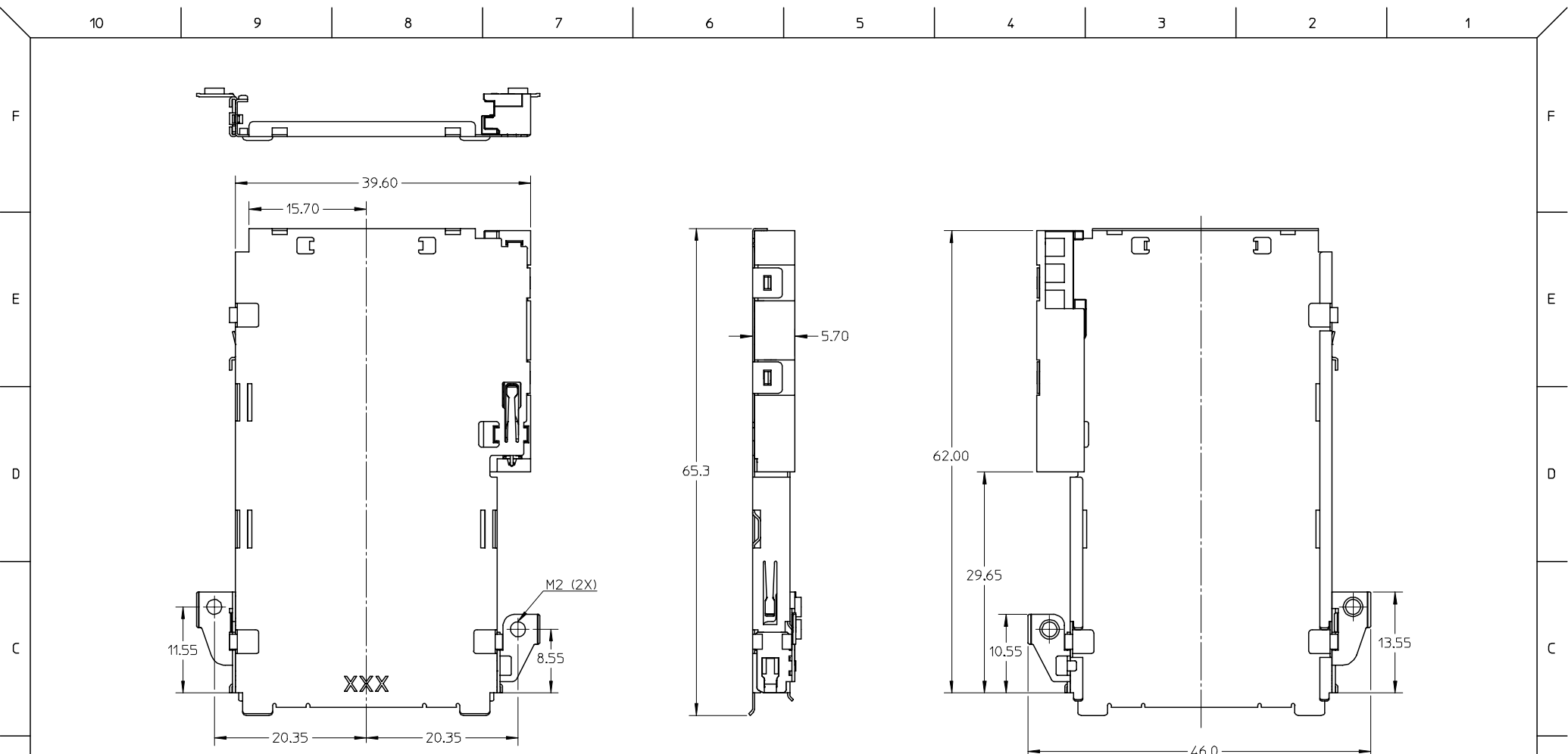
| | | | | |
|------|---|--|--|--|
| SIZE | THIS DRAWING CONTAINS INFORMATION THAT IS PROPRIETARY TO MOLEX INCORPORATED AND SHOULD NOT BE USED WITHOUT WRITTEN PERMISSION | | | |
| A3 | | | | |

9 8 7 6 5 4 3 2 1



- NOTES:
- CONNECTOR DESIGN BASED ON EXPRESSCARD STANDARD;
 - MATERIAL:
 - HOUSING: LIQUID CRYSTAL POLYMER,
 - TERMINAL: PHOSPHOR BRONZE,
 - FITTING-NAIL: PHOSPHOR BRONZE,
 - PICK AND PLACE COVER: NYLON 46,
 - FINISH:
 - TERMINAL:
 - UNDERPLATING: Ni OVERALL,
 - SELECTIVE GOLD ON CONTACT AREA,
 - THICKNESS: 15 MICROINCH MINIMUM,
 - SELECTIVE PURE TIN ON SOLDER TAIL AREA,
 - THICKNESS: 40-100 MICROINCH,
 - COPLANARITY AT SOLDER TAIL TO BE 0.10 MAXIMUM;
 - APPLICABLE CARD SLOT PLEASE REFER TO SHEET 3
 - PRODUCT SPECIFICATION PLEASE REFER TO PS-47277-001
 - 47322-0002 COMPLIANT TO RoHS DIRECTIVE 2002/95/EC AND ELV DIRECTIVE 2000/53/EC.

| | | | | | | | | | | |
|--|--|---------------------------------------|------------|--|----------------------------|--------------------|---|------------------------|---------------------|--|
| EC NO: SH2007-0352 DRWN: OCHEN 2006/11/17 CHKD: HARVEY 2006/11/22 APPR: JNCHEN 2006/11/28 | QUALITY SYMBOLS $\nabla = 0$ $\triangle = 0$ | GENERAL TOLERANCES (UNLESS SPECIFIED) | | DIMENSION STYLE MM ONLY | | SCALE NTS | DESIGN UNITS METRIC | THIRD ANGLE PROJECTION | | |
| | | 4 PLACES | \pm --- | \pm --- | DRAWN BY R. BIAN | DATE 2005/05/20 | TITLE EXPRESSCARD 34MM BOTTOM MOUNT PUSH-PUSH TYPE | | | |
| REV A1 | DESCRIPTION | 3 PLACES | \pm --- | \pm --- | CHECKED BY HARVEY | DATE 2006/04/18 | MOLEX INCORPORATED | | | |
| | | 2 PLACES | ± 0.25 | \pm --- | APPROVED BY JENNY | DATE 2006/04/18 | DOCUMENT NO. SD-47322-001 | | SHEET NO. 2 OF 4 | |
| | | 1 PLACE | ± 0.30 | \pm --- | MATERIAL NO. 47322-0002 | | THIS DRAWING CONTAINS INFORMATION THAT IS PROPRIETARY TO MOLEX INCORPORATED AND SHOULD NOT BE USED WITHOUT WRITTEN PERMISSION | | | |
| | | ANGULAR $\pm 3^\circ$ | | DRAFT WHERE APPLICABLE MUST REMAIN WITHIN DIMENSIONS | | | | | | |



NOTES:

1. CONNECTOR DESIGN BASED ON EXPRESSCARD STANDARD;
2. THIS SLOT CAN ACCEPT ONLY 34MM EXPRESSCARD;
3. WHEN DELIVERING, THE CAM SLIDER MUST KEEP RELEASE STATUS;
4. PRODUCT SPEC PLEASE REFER TO PS-47277-001;
5. MATERIAL:

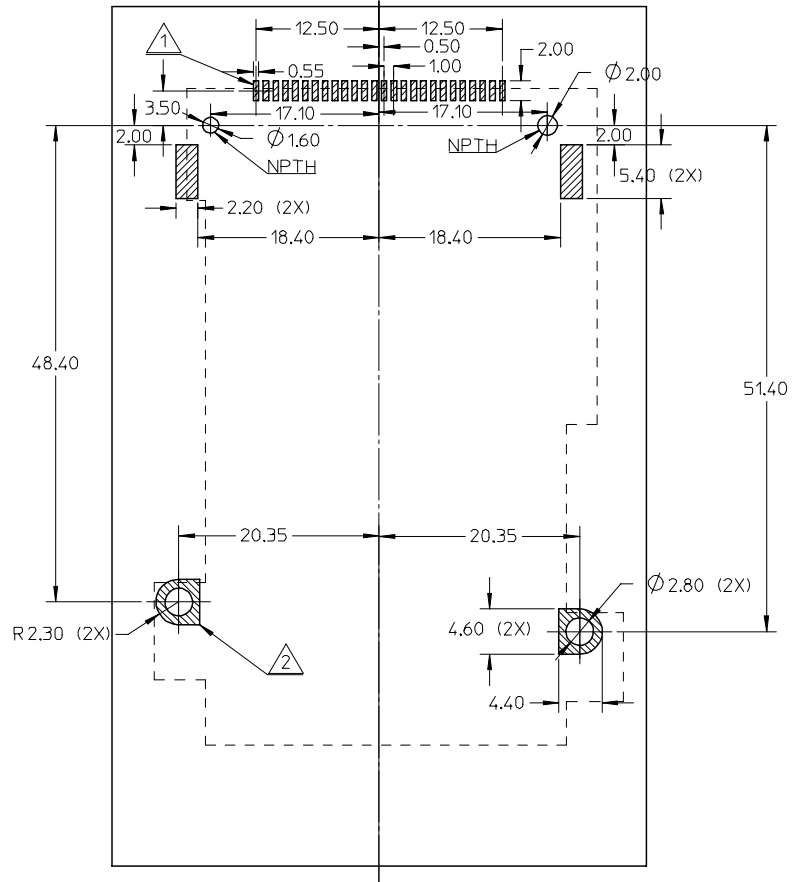
COIL SPRING: PIANO STEEL
 EJECTOR HOUSING: NYLON 46
 HOUSING SLOT: NYLON 46
 SHELL: STAINLESS STEEL
 CAM PIN: STAINLESS STEEL

6. 47322-0003 COMPLIANT TO RoHS DIRECTIVE
 2002/95/EC AND ELV DIRECTIVE 2000/53/EC.

| | | | | | | | | | |
|---|-------------------------------|--|---|----------------------------|--------------------|---|------------------------------|------------------------|--|
| EC NO: SH2007-0352 DRWN: OCHEN 2006/11/17 CHKD: HARVEY 2006/11/22 APPR: JNCHEN 2006/11/28 | QUALITY SYMBOLS ▽=0 ◻=0 | GENERAL TOLERANCES (UNLESS SPECIFIED) | | DIMENSION STYLE MM ONLY | | SCALE NTS | DESIGN UNITS METRIC | THIRD ANGLE PROJECTION | |
| | | 4 PLACES ± --- ± --- 3 PLACES ± --- ± --- 2 PLACES ± 0.25 ± --- 1 PLACE ± 0.30 ± --- ANGULAR ± 3 ° | mm INCH ± --- ± --- ± 0.25 ± --- ± 0.30 ± --- ± 3 ° | DRAWN BY R. BIAN | DATE 2005/05/20 | TITLE EXPRESSCARD 34MM BOTTOM MOUNT PUSH-PUSH TYPE | | MOLEX INCORPORATED | |
| A1 | REV | DRAFT WHERE APPLICABLE MUST REMAIN WITHIN DIMENSIONS | | APPROVED BY JENNY | DATE 2006/04/18 | MATERIAL NO. 47322-0003 | DOCUMENT NO. SD-47322-001 | SHEET NO. 3 OF 4 | |
| THIS DRAWING CONTAINS INFORMATION THAT IS PROPRIETARY TO MOLEX INCORPORATED AND SHOULD NOT BE USED WITHOUT WRITTEN PERMISSION | | | | | | | | | |

10 9 8 7 6 5 4 3 2 1

F
E
D
C
B
A



NOTES:
 1. SOLDER PAD AREA
 2. GROUNDING PAD AREA

RECOMMENDED PCB LAYOUT
 COMPONENT SIDE

| | |
|--------------------|-------------|
| EC NO: SH2007-0352 | 2006/11/17 |
| DRWN: CHEN | 2006/11/22 |
| CHKD: HARVEY | 2006/11/28 |
| APPR: JNCHEN | 2006/11/28 |
| REV | DESCRIPTION |
| A1 | |

| | |
|-----------------|-----|
| QUALITY SYMBOLS | ▽=0 |
| | ∇=0 |

| | | |
|--|-----------------|-------|
| GENERAL TOLERANCES (UNLESS SPECIFIED) | mm | INCH |
| | 4 PLACES ± --- | ± --- |
| | 3 PLACES ± --- | ± --- |
| | 2 PLACES ± 0.05 | ± --- |
| | 1 PLACE ± | ± --- |
| ANGULAR ± 3 ° | | |
| DRAFT WHERE APPLICABLE MUST REMAIN WITHIN DIMENSIONS | | |

| | |
|----------------------------|--------------------|
| DIMENSION STYLE MM ONLY | |
| DRAWN BY R. BIAN | DATE 2005/05/20 |
| CHECKED BY HARVEY | DATE 2006/04/18 |
| APPROVED BY JENNY | DATE 2006/04/18 |
| MATERIAL NO. N/A | |

| | | |
|---|------------------------|------------------------|
| SCALE NTS | DESIGN UNITS METRIC | THIRD ANGLE PROJECTION |
| TITLE EXPRESSCARD 34MM BOTTOM MOUNT PUSH-PUSH TYPE | | |
| MOLEX INCORPORATED | | |
| DOCUMENT NO. SD-47322-001 | SHEET NO. 4 OF 4 | |

9 8 7 6 5 4 3 2 1