



Chipsmall Limited consists of a professional team with an average of over 10 year of expertise in the distribution of electronic components. Based in Hongkong, we have already established firm and mutual-benefit business relationships with customers from,Europe,America and south Asia,supplying obsolete and hard-to-find components to meet their specific needs.

With the principle of “Quality Parts,Customers Priority,Honest Operation,and Considerate Service”,our business mainly focus on the distribution of electronic components. Line cards we deal with include Microchip,ALPS,ROHM,Xilinx,Pulse,ON,Everlight and Freescale. Main products comprise IC,Modules,Potentiometer,IC Socket,Relay,Connector.Our parts cover such applications as commercial,industrial, and automotives areas.

We are looking forward to setting up business relationship with you and hope to provide you with the best service and solution. Let us make a better world for our industry!



Contact us

Tel: +86-755-8981 8866 Fax: +86-755-8427 6832

Email & Skype: info@chipsmall.com Web: www.chipsmall.com

Address: A1208, Overseas Decoration Building, #122 Zhenhua RD., Futian, Shenzhen, China



NOTES :

1. MATERIAL :

HOUSING : HIGH TEMPERATURE NYLON ,GLASS FIBER, UL94-V0 , COLOR: BLACK
 TERMINAL : PHOSPHOR BRONZE
 METAL SHELL : COPPER ALLOY

2. PLATING :

TERMINAL :

CONTACT AREA : (a) GOLD FLASH,
 (b) GL0D (Au), THICKNESS = 30 MICROINCH/0.76 MICROMETER
 SOLDER TAIL : PURE TIN(Sn),

THICKNESS= 75 MICROINCH /1.9 MICROMETER

UNDER PLATE : NICKEL (Ni), THICKNESS= 50 MICROINCH/1.27 MICROMETER
 METAL SHELL :

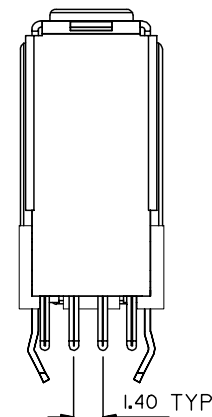
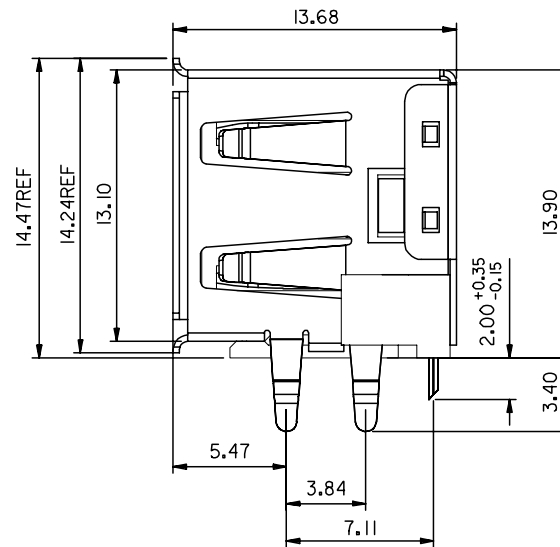
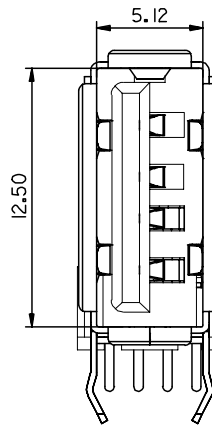
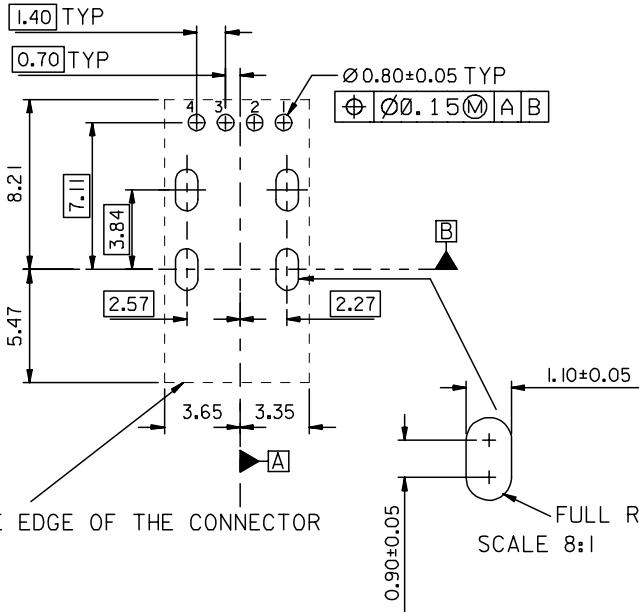
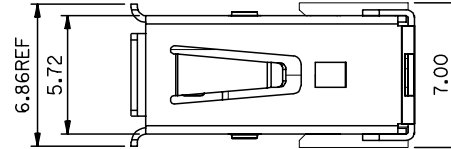
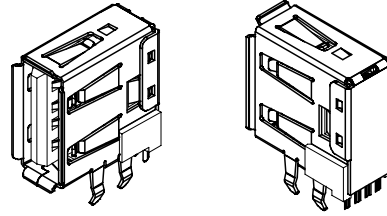
PURE TIN(Sn), THICKNESS=50-100MICROINCH /1.27-2.54MICROMETER.

UNDER PLATE : NICKEL (Ni), THICKNESS= 50 MICROINCH/1.27 MICROMETER

3 RECOMMENDED PCB THICKNESS : 1.20±0.05mm & 1.60±0.05 mm

4 PRODUCT SPECIFICATION : REFER TO PS-89485

5 PACKAGING SPECIFICATION : REFER TO PK-67329-001



THE EDGE OF THE CONNECTOR

FULL R TYPE
 SCALE 8:1

PART NUMBER LEGEND:

P/N	CONTACT PLATING
47500-0000	GOLD FLASH
47500-0001	0.76 MICROMETER/30 MICROINCH GOLD

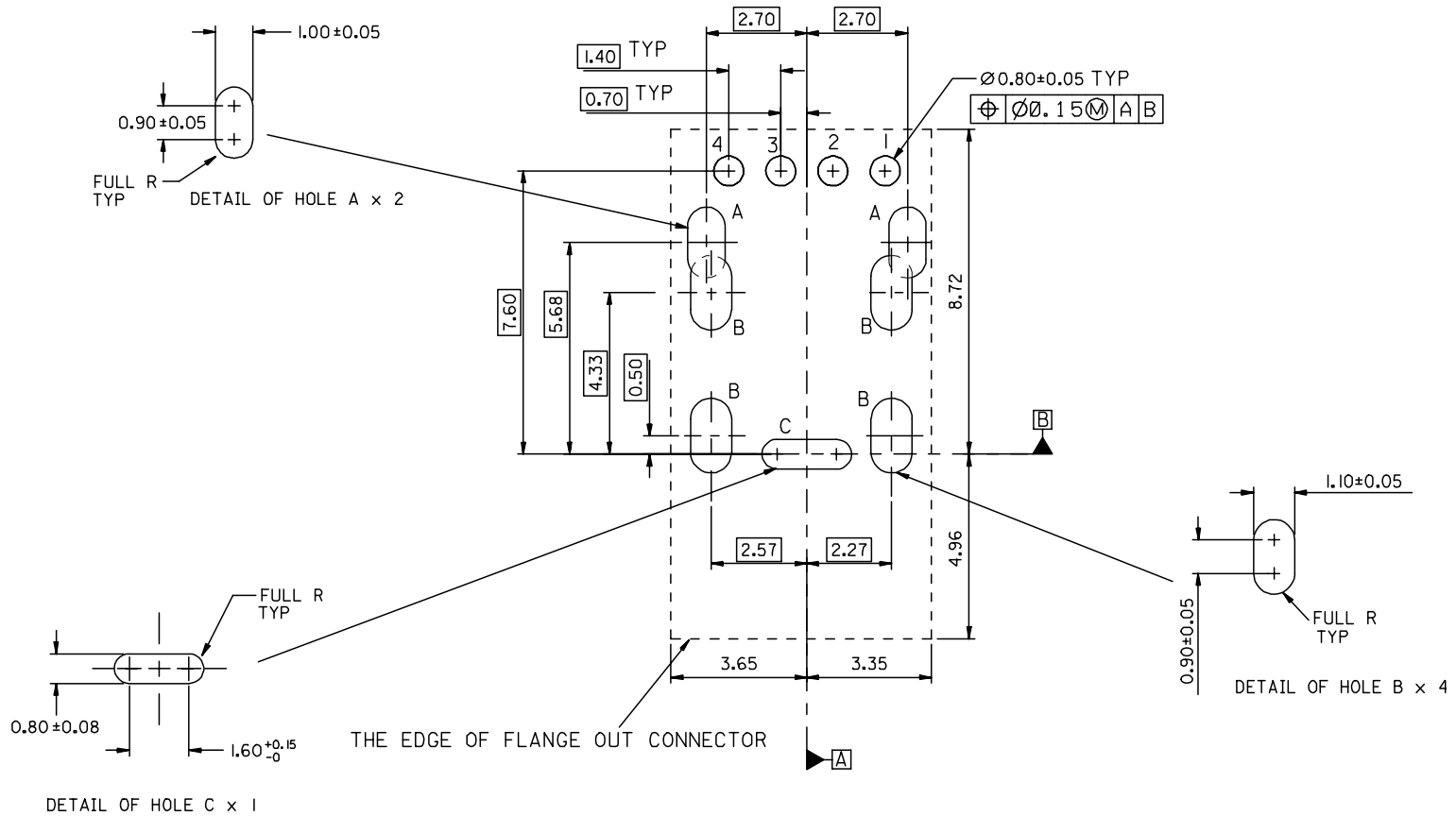
NEW RELEASE	EC NO.	DRW: DAVID HU 2004/11/13	CHK: HARVEY 2004/11/13	APPR:
A	REV			

QUALITY SYMBOLS	MAJOR = 0	CRITICAL = 0
DESCRIPTION		

GENERAL TOLERANCES: (UNLESS SPECIFIED)	
	mm INCH
4 PLACES	±0.15 ±.006
3 PLACES	±0.25 ±.010
2 PLACES	±0.25 ±.010
1 PLACE	±0.25 ±.010
ANGULAR: ±3°	
DRAFT WHERE APPLICABLE MUST REMAIN WITHIN DIMENSIONS	

SCALE	DESIGN UNITS
4:1	<input checked="" type="checkbox"/> mm <input type="checkbox"/> INCH
DRAWN BY & DATE	
DAVID HU 2004/11/13	
CHECKED BY & DATE	
HARVEY 2004/11/13	
APPROVED BY & DATE	
VINCENT 2004/11/13	
CAD FILENAME	MATERIAL NO.
SD4750002S01	47500-000*

THIRD ANGLE PROJECTION		DIMENSIONS:		I A	
<input type="checkbox"/> mm	<input type="checkbox"/> INCH	<input type="checkbox"/> mm	<input checked="" type="checkbox"/> INCH	SHT	REV
				REVISE ON CAD ONLY	
TITLE: USB"A" UP-RIGHT CONNECTOR FLANGE OUT TYPE (LEAD-FREE)					
MOLEX INCORPORATED					
DRAWING NO.		SHEET NO.			
SD-47500-002		1 OF 1			
THIS DRAWING CONTAINS INFORMATION THAT IS PROPRIETARY TO MOLEX INCORPORATED AND SHOULD NOT BE USED WITHOUT WRITTEN PERMISSION.					SIZE
					A3



NEW RELEASE EC NO: SH2005-0144 DRWN: DAVID HU 2004/11/13 CHKD: HARVEY 2004/12/07 APPR: YIYAP 2004/12/07	DESCRIPTION	QUALITY SYMBOLS	GENERAL TOLERANCES (UNLESS SPECIFIED)	DIMENSION STYLE MM ONLY	SCALE 8:1	DESIGN UNITS METRIC	THIRD ANGLE PROJECTION
		▽=0	4 PLACES ± --- ± ---	DRAWN BY DATE DAVID HU 2004/11/13	TITLE RECOMMENDED PCB LAYOUT FOR FLANGE OUT & STANDARD USB*A* UP RIGHT CONNECTOR (LEAD-FREE)		
		▽C=0	3 PLACES ± --- ± ---	CHECKED BY DATE HARVEY 2004/11/29	MOLEX INCORPORATED		
			2 PLACES ± 0.25 ± 0.10	APPROVED BY DATE VINCENT 2004/11/29	DOCUMENT NO. SD-47500-003		
		1 PLACE ± 0.25 ± 0.10	DRAFT WHERE APPLICABLE MUST REMAIN WITHIN DIMENSIONS	MATERIAL NO. 47500-000*	SHEET NO. 1 OF 1		
		ANGULAR ± 3 °		SIZE A3	THIS DRAWING CONTAINS INFORMATION THAT IS PROPRIETARY TO MOLEX INCORPORATED AND SHOULD NOT BE USED WITHOUT WRITTEN PERMISSION		