



Chipsmall Limited consists of a professional team with an average of over 10 year of expertise in the distribution of electronic components. Based in Hongkong, we have already established firm and mutual-benefit business relationships with customers from,Europe,America and south Asia,supplying obsolete and hard-to-find components to meet their specific needs.

With the principle of “Quality Parts,Customers Priority,Honest Operation,and Considerate Service”,our business mainly focus on the distribution of electronic components. Line cards we deal with include Microchip,ALPS,ROHM,Xilinx,Pulse,ON,Everlight and Freescale. Main products comprise IC,Modules,Potentiometer,IC Socket,Relay,Connector.Our parts cover such applications as commercial,industrial, and automotives areas.

We are looking forward to setting up business relationship with you and hope to provide you with the best service and solution. Let us make a better world for our industry!



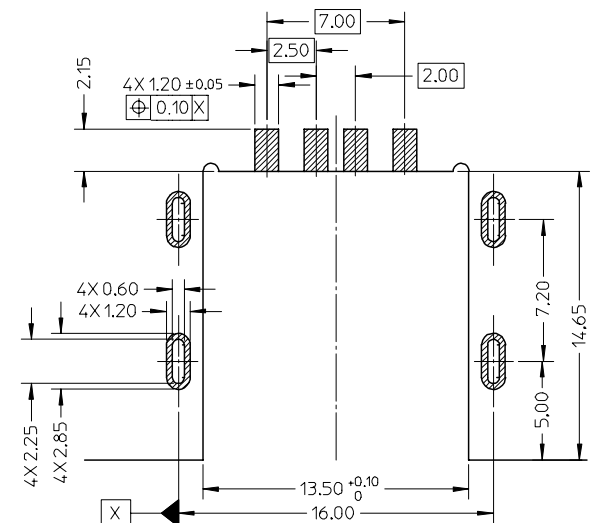
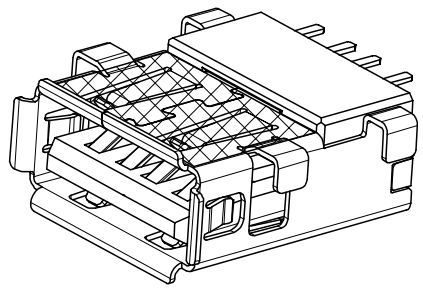
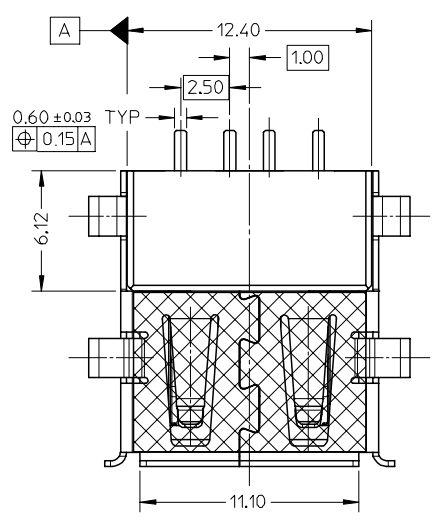
Contact us

Tel: +86-755-8981 8866 Fax: +86-755-8427 6832

Email & Skype: info@chipsmall.com Web: www.chipsmall.com

Address: A1208, Overseas Decoration Building, #122 Zhenhua RD., Futian, Shenzhen, China

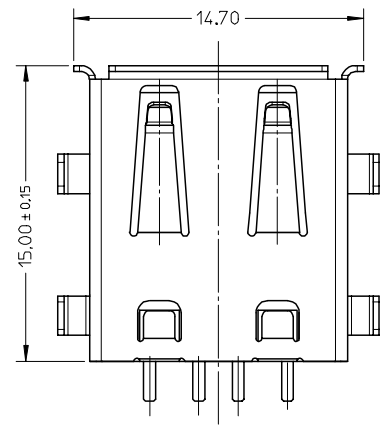
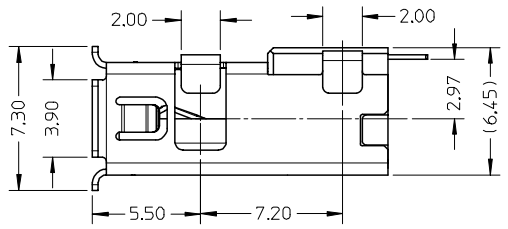
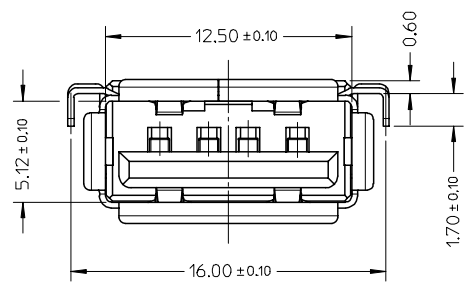




RECOMMENDED PCB LAYOUT (COMPONENT SIDE)
PCB THICKNESS=1.2mm (DEFAULT TOLERANCE=±0.05)

NOTES:

- MATERIAL:
HOUSING: PA6T, GLASS FIBRE FILLED, UL94-V0,
COLOR: BLACK.
TERMINAL: PHOSPHOR BRONZE.
METAL SHELL: COPPER ALLOY.
- PLATING:
TERMINAL:
CONTACT AREA: GOLD FLASH PLATING.
SOLDER AREA: MATTE TIN 2 MICROMETRE MIN.
UNDERPLATING: NICKLE 1.27 MICROMETRE MIN.
METAL SHELL:
SOLDERABLE NICKEL 1.27 MICROMETRE MIN.
- PRODUCT SPECIFICATION REFERENCE TO PS-47504-001.
- COMPLIANT TO RoHS DIRECTIVE 2002/95/EC
AND ELV DIRECTIVE 2000/53/EC.



NEW PRODUCT EC NO: SH2008-0222 DRWN: KWEI 2007/11/15 CHKD: RZHANG 2007/11/16 APPR: JNCHEN 2007/11/23	QUALITY SYMBOLS ▽=0 ▽=0	GENERAL TOLERANCES (UNLESS SPECIFIED)		DIMENSION STYLE	SCALE	DESIGN UNITS	THIRD ANGLE PROJECTION		
				MM ONLY	4:1	METRIC			
			mm	INCH	DRAWN BY	DATE	TITLE		
		4 PLACES	±---	±---	KLAUS WEI	2006/08/28	SINGLE USB SMT TYPE REVERSE TYPE		
3 PLACES	±---	±---	CHECKED BY	DATE					
2 PLACES	±0.25	±---	ROST ZHANG	2006/08/28	MOLEX INCORPORATED				
1 PLACE	±0.30	±---	APPROVED BY	DATE					
ANGULAR ±---		±---	HARVEY WANG	2006/08/28	MATERIAL NO.	DOCUMENT NO.	SHEET NO.		
DRAFT WHERE APPLICABLE MUST REMAIN WITHIN DIMENSIONS			SIZE	475040001	SD-47504-001	1 OF 1			
THIS DRAWING CONTAINS INFORMATION THAT IS PROPRIETARY TO MOLEX INCORPORATED AND SHOULD NOT BE USED WITHOUT WRITTEN PERMISSION									