



Chipsmall Limited consists of a professional team with an average of over 10 year of expertise in the distribution of electronic components. Based in Hongkong, we have already established firm and mutual-benefit business relationships with customers from,Europe,America and south Asia,supplying obsolete and hard-to-find components to meet their specific needs.

With the principle of “Quality Parts,Customers Priority,Honest Operation,and Considerate Service”,our business mainly focus on the distribution of electronic components. Line cards we deal with include Microchip,ALPS,ROHM,Xilinx,Pulse,ON,Everlight and Freescale. Main products comprise IC,Modules,Potentiometer,IC Socket,Relay,Connector.Our parts cover such applications as commercial,industrial, and automotives areas.

We are looking forward to setting up business relationship with you and hope to provide you with the best service and solution. Let us make a better world for our industry!



Contact us

Tel: +86-755-8981 8866 Fax: +86-755-8427 6832

Email & Skype: info@chipsmall.com Web: www.chipsmall.com

Address: A1208, Overseas Decoration Building, #122 Zhenhua RD., Futian, Shenzhen, China





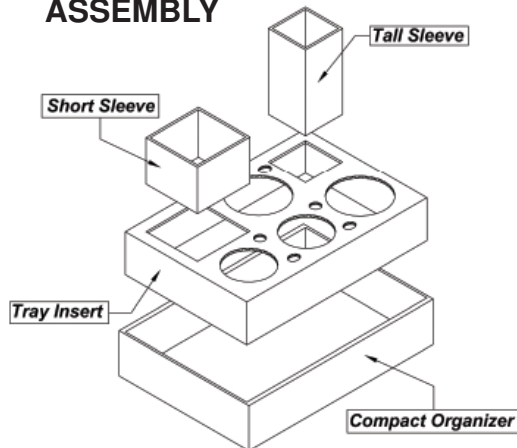
MADE IN AMERICA



Description

- Compact, convenient size for organizing and standardizing tool and bottle placement at the workstation
- Aesthetically improves the appearance of the work area
- Includes openings for bottles, holes for hand tools, swabs and miscellaneous items
- OD Dimension: 11 1/4" x 8" x 2 1/4"
- Easily assembled
- Marked with ESD Protective symbol per ANSI/ESD S541
- Custom configurations available
- Static Dissipative surface 10E6 to 10E8 ohms per ANSI/ESD S11.11 minimizing the potential of rapid discharge or sparking
- Impregnated Corrugated material - superior material with greater durability than painted material
- Made from 100% Recycled material and is 100% recyclable
- Made in America

ASSEMBLY



Assembly Instructions:

1. Fold up organizer tray
2. Fold up the insert and place into the tray
3. Fold up the tall and short sleeve and place into the insert as shown

"It should be understood that any object, item, material or person could be a source of static electricity in the work environment. Removal of unnecessary nonconductors, replacing nonconductive materials with dissipative or conductive materials and grounding all conductors are the principle methods of controlling static electricity in the workplace, regardless of the activity." [ESD Handbook ESD TR20.20-2008 section 2.4 Sources of Static Electricity]

COMPACT ORGANIZER, CORRUGATED

PROTEKTIVE PAK
 13520 MONTE VISTA AVENUE, CHINO, CA 91710
 PHONE (909) 627-2578, FAX (909) 363-7331
 ProtektivePak.com

DRAWING NUMBER

47555

DATE

April
2010

PROTEKTIVE PAK
 BURIED SHIELDING LAYER