



Chipsmall Limited consists of a professional team with an average of over 10 year of expertise in the distribution of electronic components. Based in Hongkong, we have already established firm and mutual-benefit business relationships with customers from,Europe,America and south Asia,supplying obsolete and hard-to-find components to meet their specific needs.

With the principle of “Quality Parts,Customers Priority,Honest Operation,and Considerate Service”,our business mainly focus on the distribution of electronic components. Line cards we deal with include Microchip,ALPS,ROHM,Xilinx,Pulse,ON,Everlight and Freescale. Main products comprise IC,Modules,Potentiometer,IC Socket,Relay,Connector.Our parts cover such applications as commercial,industrial, and automotives areas.

We are looking forward to setting up business relationship with you and hope to provide you with the best service and solution. Let us make a better world for our industry!



Contact us

Tel: +86-755-8981 8866 Fax: +86-755-8427 6832

Email & Skype: info@chipsmall.com Web: www.chipsmall.com

Address: A1208, Overseas Decoration Building, #122 Zhenhua RD., Futian, Shenzhen, China



Variable Attenuators

0.8-2.5, 4-26.5 GHz

Miniature Variable Attenuators

- Low Minimum Insertion Loss
- Small Size, Lightweight
- Operational to 105°C without Degradation (125°C storage)
- Excellent for Communications



Specifications

SMA (F), 0.8 to 18 GHz

FREQUENCY RANGE (GHz)	MODEL	ATTENUATION (dB min.)	POWER INPUT		VSWR (max.)	INSERTION LOSS (dB max.)	FREQUENCY SENSITIVITY (dB)	WEIGHT (max)	
			AVERAGE (W max.)	PEAK (kW max.)				oz.	gr.
0.8-2.5	4790*	20	5	3	1.5	0.5	—	10.6	300
4-18	4791	15	5	3	4-11 GHz: 1.5 11-18 GHz: 1.7	1.0	±3.5	5.5	160
8-18	4792	30	5	3	8-11 GHz: 1.5 11-18 GHz: 1.7	8-12.4 GHz: 0.5 12.4-18 GHz: 1.0	±3.5	5.5	160
12.4-18	4793	30	5	3	1.7	1.0	±2.0	5.5	160

3.5 mm (F), 7 to 26.5 GHz

FREQUENCY RANGE** (GHz)	MODEL	ATTENUATION (dB min.)	POWER INPUT		VSWR (max.)	INSERTION LOSS (dB max.)		FREQUENCY SENSITIVITY (dB)	WEIGHT	
			AVERAGE (W max.)	PEAK (kW max.)		7 - 12.4	12.4 - 26.5		oz.	gr.
7 - 26.5	4796	15	5	1.4	1.7 †	0.7	1.5	±3.0	7.5	213

* Due to the sensitivity of existing dielectric properties, this model does not exhibit flat frequency sensitivity.

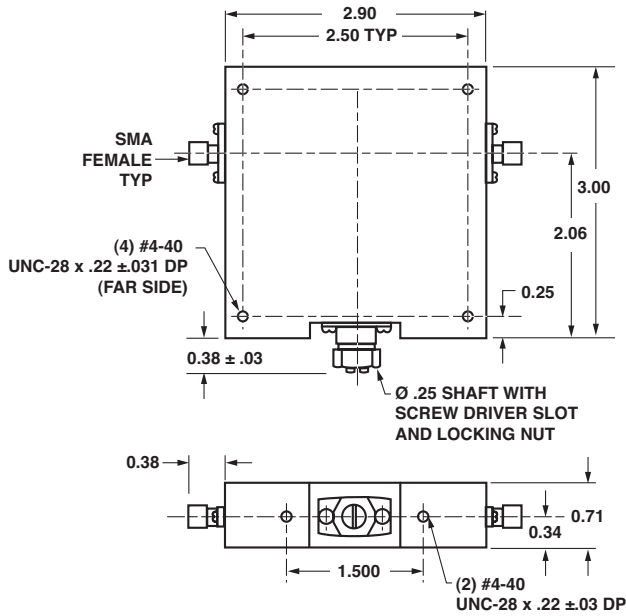
** Usable to 33 GHz

† Maximum VSWR from 12.4 - 18 GHz is 1.6

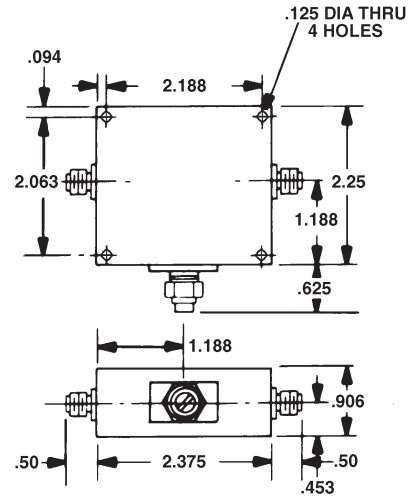


Variable Attenuators

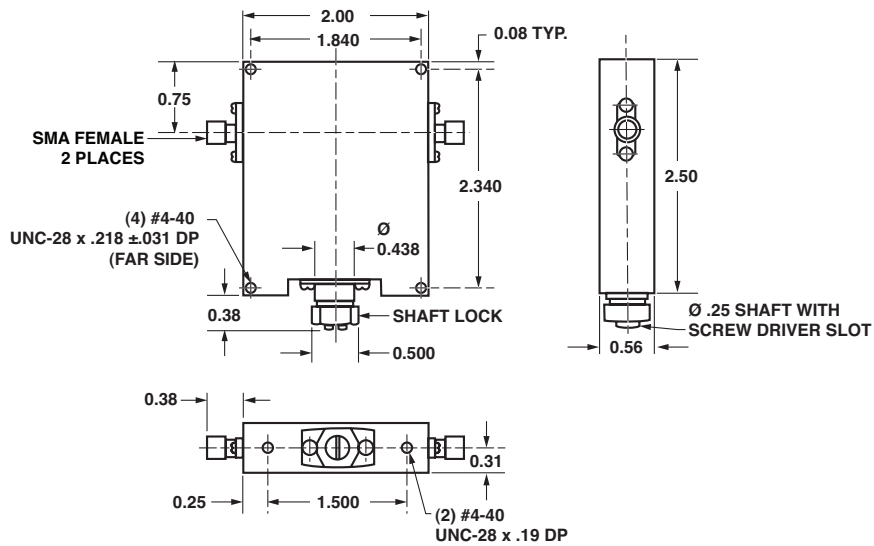
Outline Drawings



MODEL 4790



MODEL 4796



MODELS 4791, 4792, 4793

Dimensions in inches, unless otherwise specified.

