



Chipsmall Limited consists of a professional team with an average of over 10 year of expertise in the distribution of electronic components. Based in Hongkong, we have already established firm and mutual-benefit business relationships with customers from,Europe,America and south Asia,supplying obsolete and hard-to-find components to meet their specific needs.

With the principle of “Quality Parts,Customers Priority,Honest Operation,and Considerate Service”,our business mainly focus on the distribution of electronic components. Line cards we deal with include Microchip,ALPS,ROHM,Xilinx,Pulse,ON,Everlight and Freescale. Main products comprise IC,Modules,Potentiometer,IC Socket,Relay,Connector.Our parts cover such applications as commercial,industrial, and automotives areas.

We are looking forward to setting up business relationship with you and hope to provide you with the best service and solution. Let us make a better world for our industry!



Contact us

Tel: +86-755-8981 8866 Fax: +86-755-8427 6832

Email & Skype: info@chipsmall.com Web: www.chipsmall.com

Address: A1208, Overseas Decoration Building, #122 Zhenhua RD., Futian, Shenzhen, China



SERIES 47A
Miniature Rocker and Paddle
Switches

FEATURES

- Save Space and Weight
- SPDT, DPDT, 3PDT and 4PDT Circuitry
- Choice of Actuators and Terminations
- UL Recognized



MODELS in inches (and millimeters)

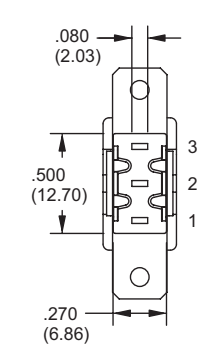
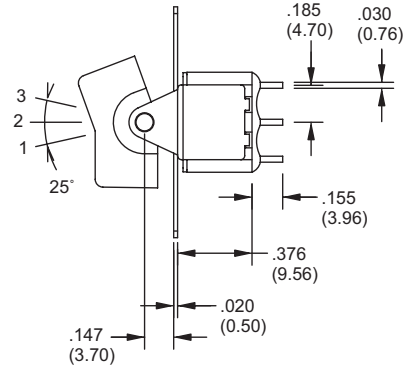
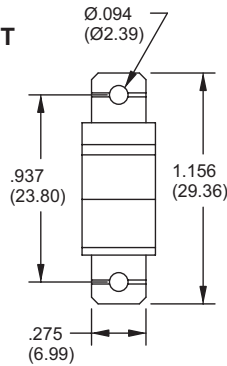
MODEL NO.	SWITCH POSITION		
SP1	ON	NONE	ON
SP2	ON	NONE	(ON)
SP3	ON	OFF	ON
SP4	(ON)	OFF	(ON)
SP5	ON	OFF	(ON)
TERM. COMM.	2-3	OPEN	2-1

()=MOMENTARY
 02COMM.

SCHMATIC

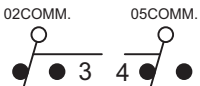


SPDT



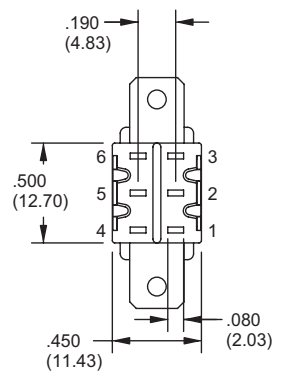
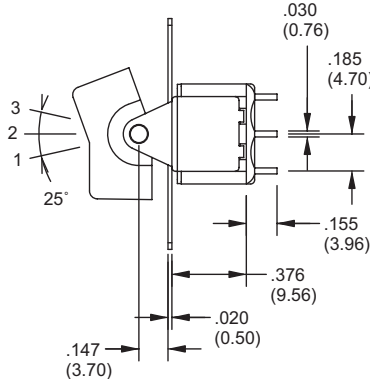
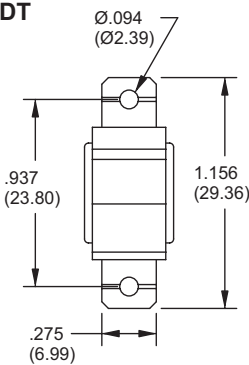
MODEL NO.	SWITCH POSITION		
DP1	ON	NONE	ON
DP2	ON	NONE	(ON)
DP3	ON	OFF	ON
DP4	(ON)	OFF	(ON)
DP5	ON	OFF	(ON)
TERM. COMM.	2-3,5-6	OPEN	2-1,5-4

()=MOMENTARY



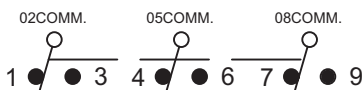
SCHMATIC

DPDT



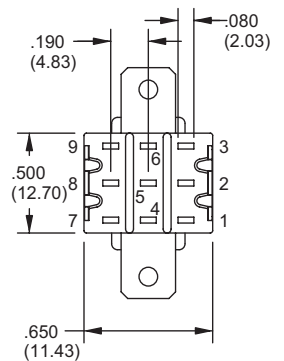
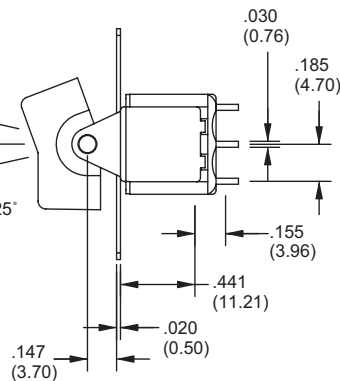
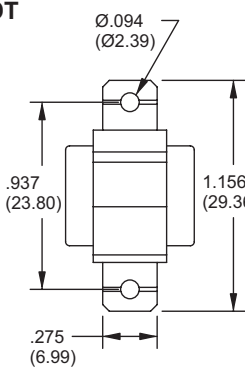
MODEL NO.	SWITCH POSITION		
3P1	ON	NONE	ON
3P2	ON	NONE	(ON)
3P3	ON	OFF	ON
3P4	(ON)	OFF	(ON)
3P5	ON	OFF	(ON)
TERM. COMM.	2-3,5-6	OPEN	2-1,5-4

()=MOMENTARY

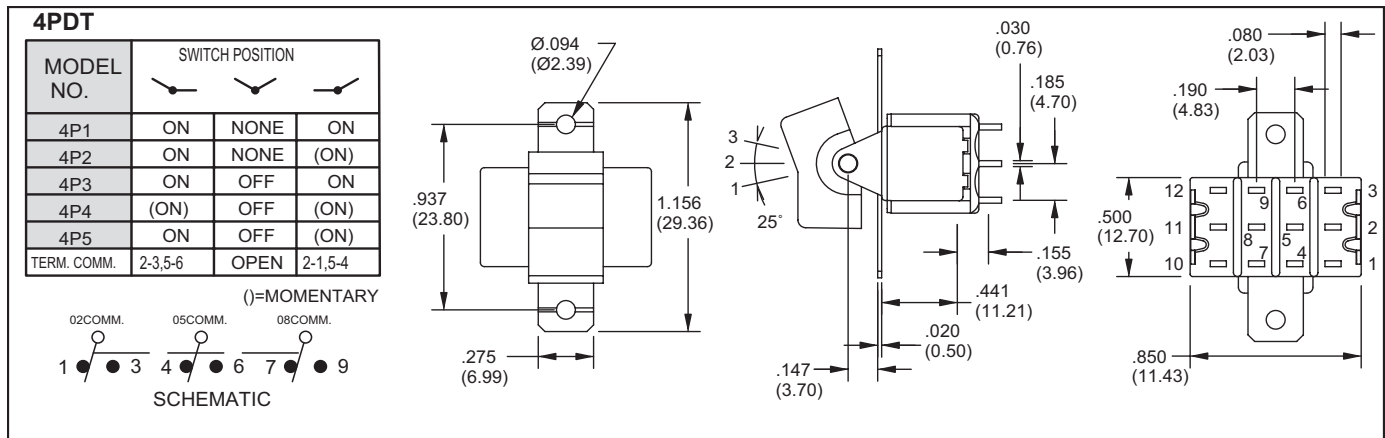


SCHMATIC

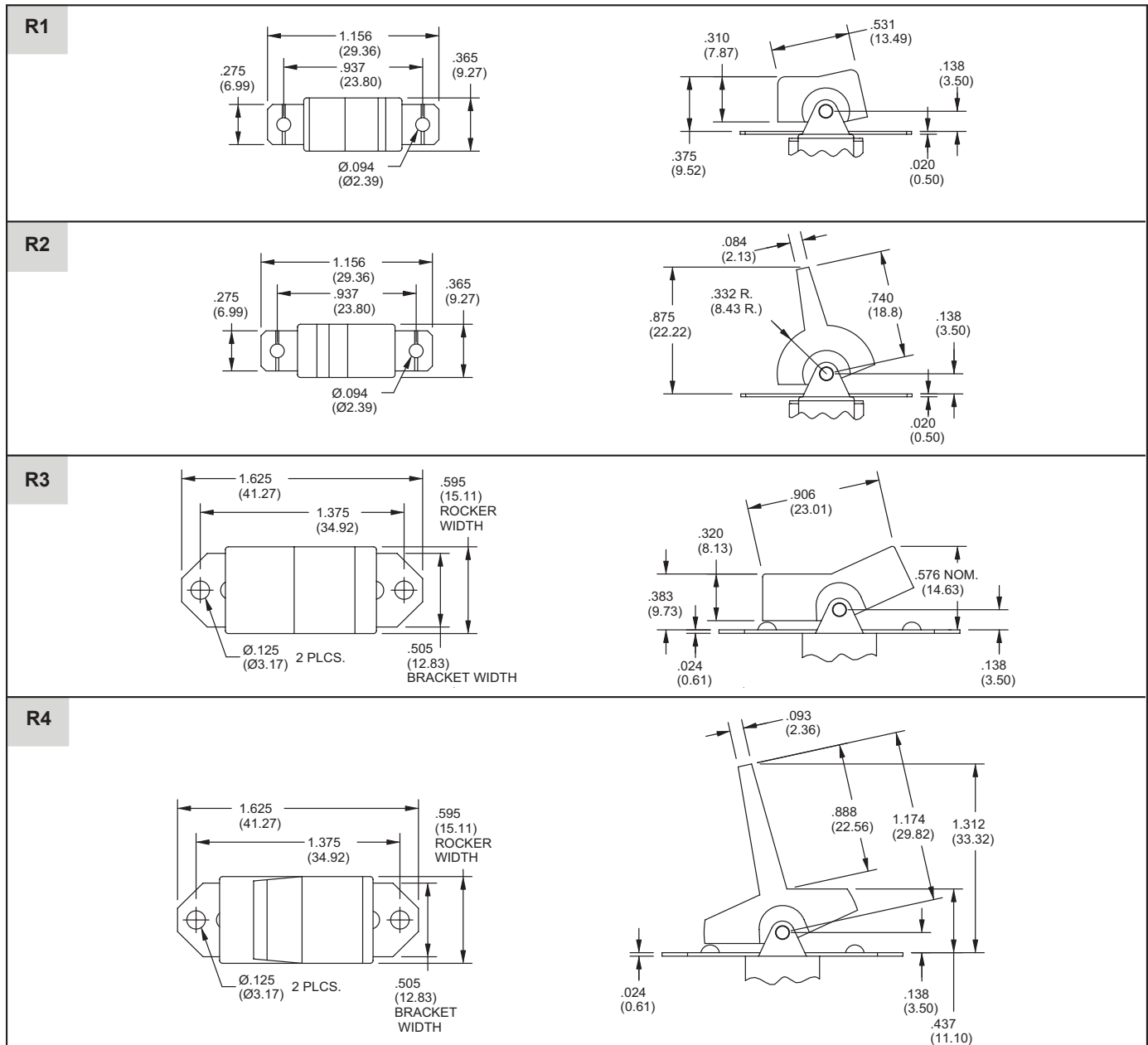
3PDT



MODELS in inches (and millimeters)

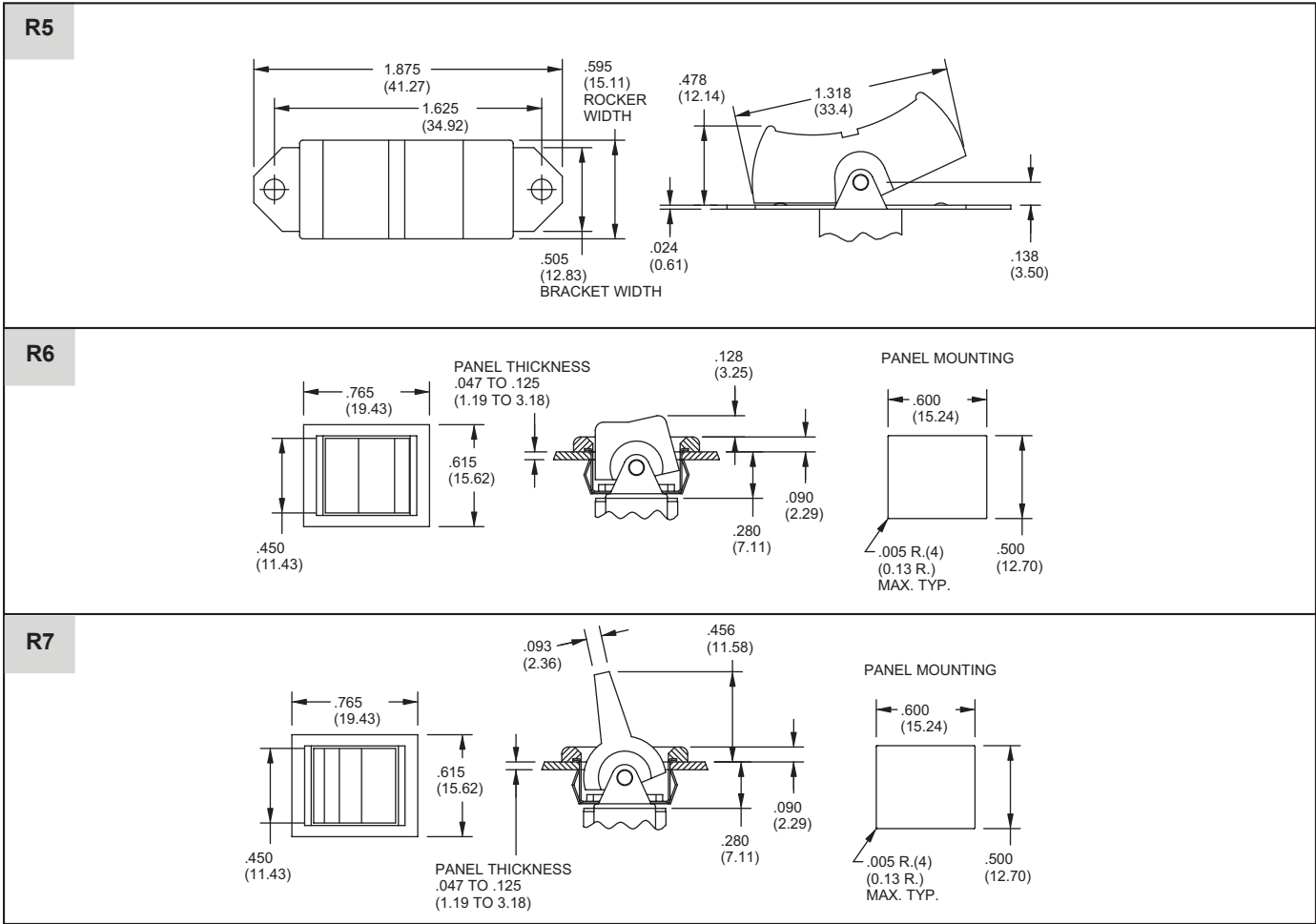


ACTUATOR OPTIONS: For Panel Mount Only in inches (and millimeters)



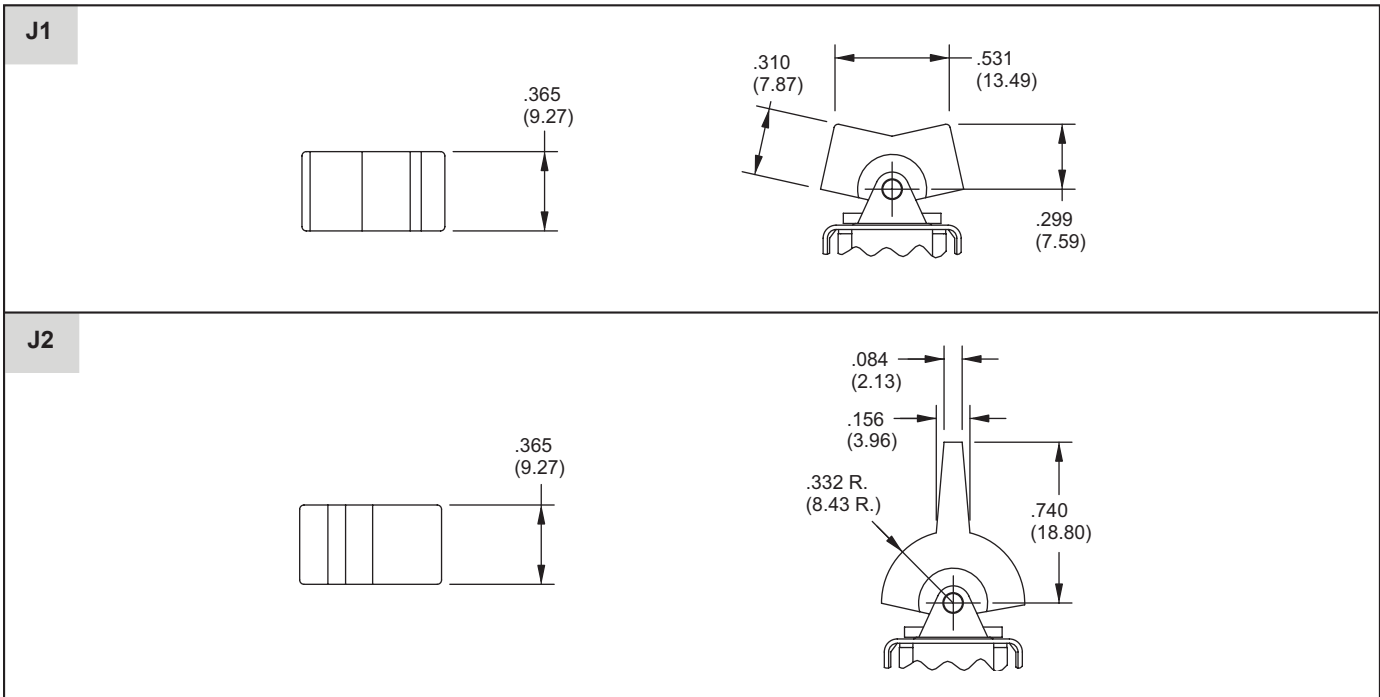
Rocker and Paddle Switches

ACTUATOR OPTIONS: For Panel Rear Mount Only in inches (and millimeters)

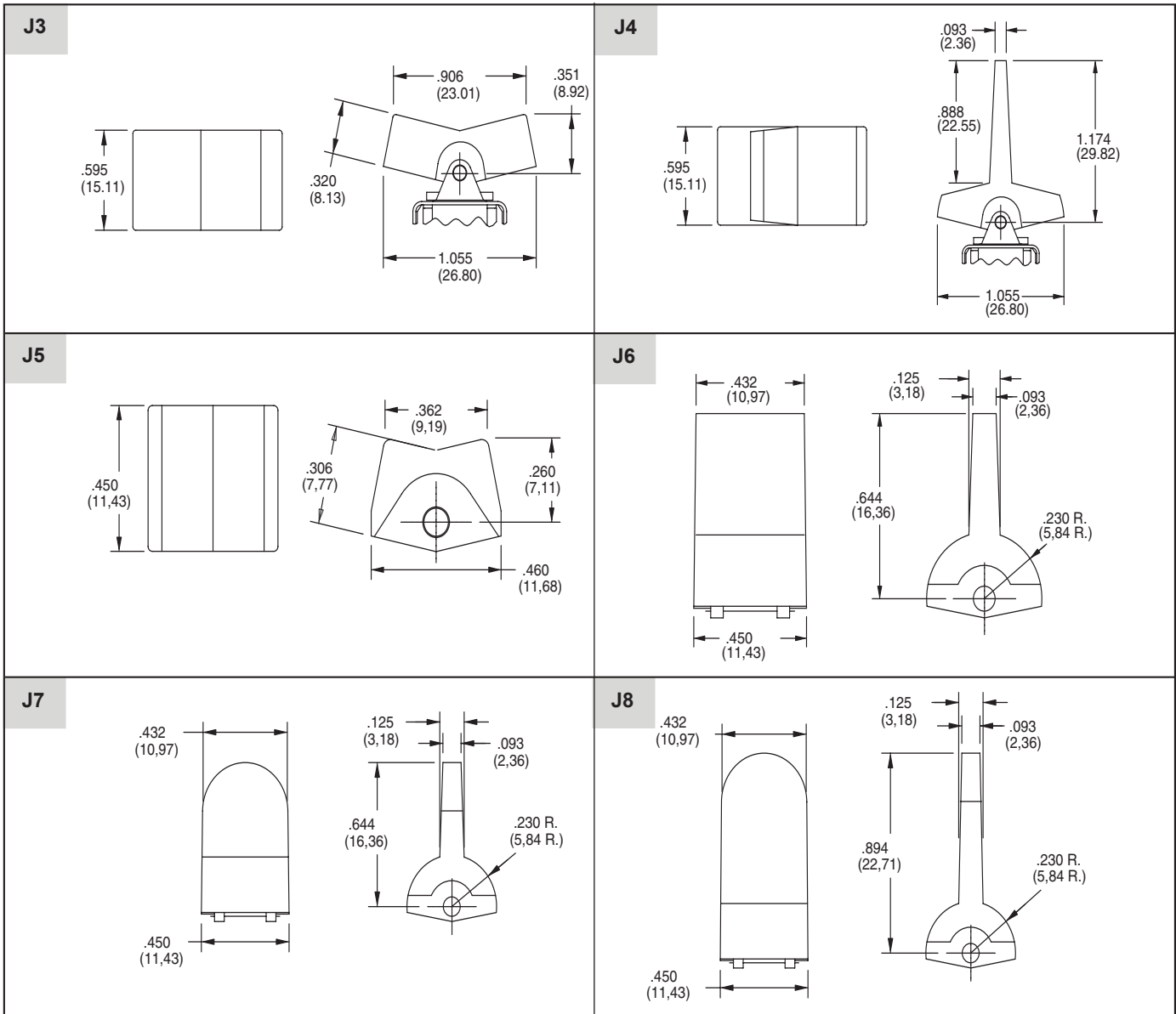


Rocker and Paddle Switches

ACTUATOR OPTIONS: For P.C. Mount Only in inches (and millimeters)

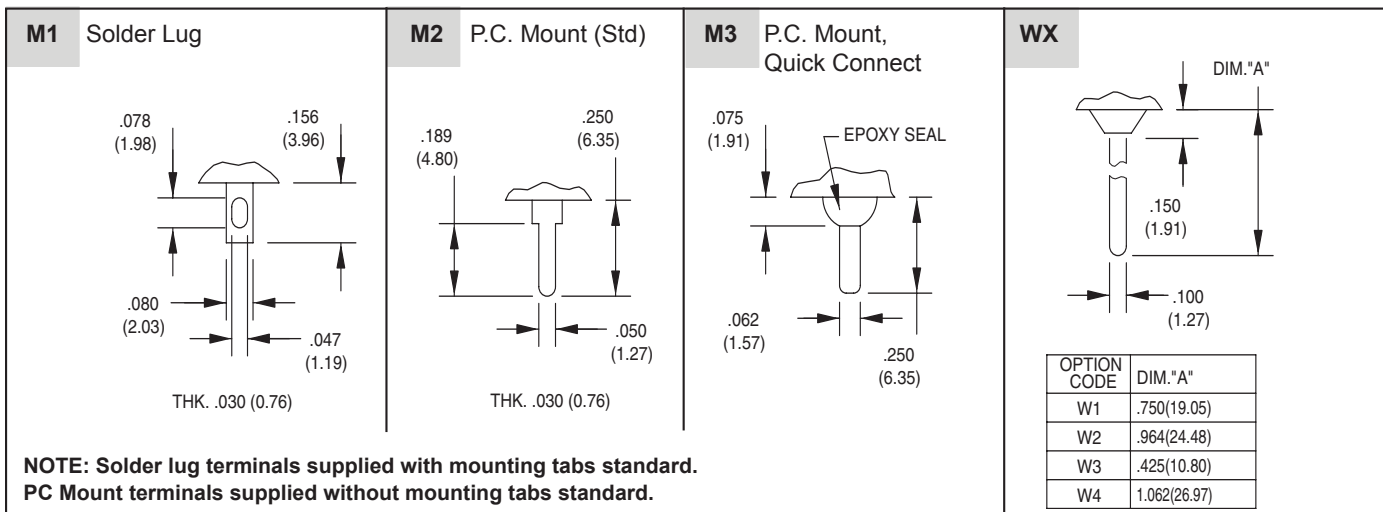


ACTUATOR OPTIONS: For P.C. Mount Only in inches (and millimeters)



Rocker and Paddle Switches

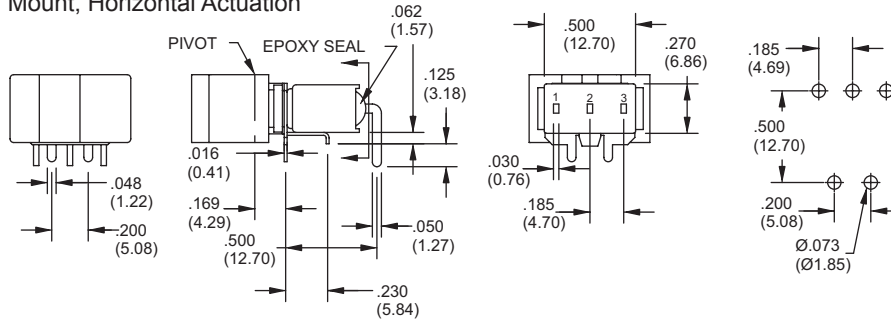
TERMINATION OPTIONS in inches (and millimeters)



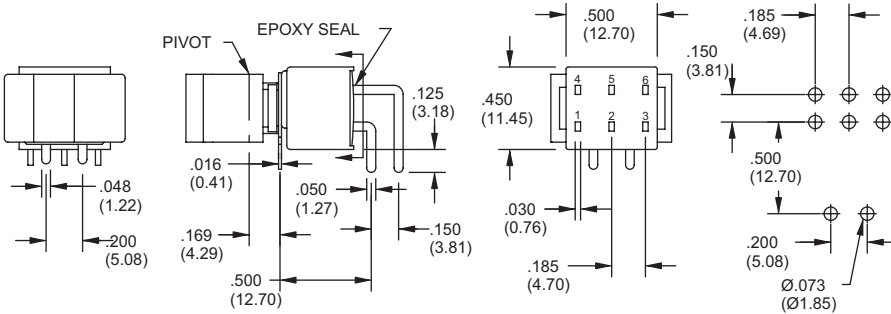
TERMINATION OPTIONS in inches (and millimeters)

M6 Right Angle P.C. Mount, Horizontal Actuation

SPDT

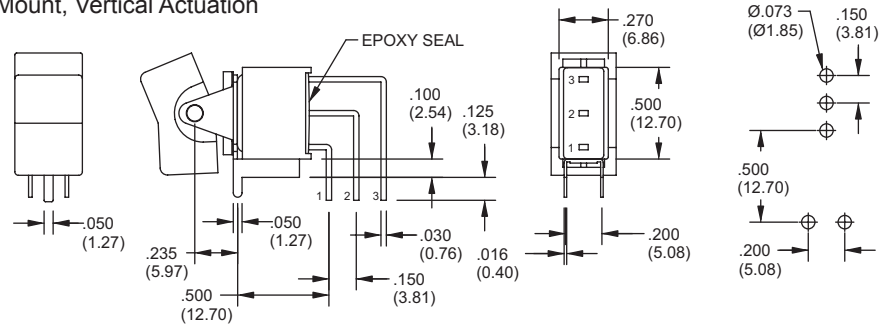


DPDT

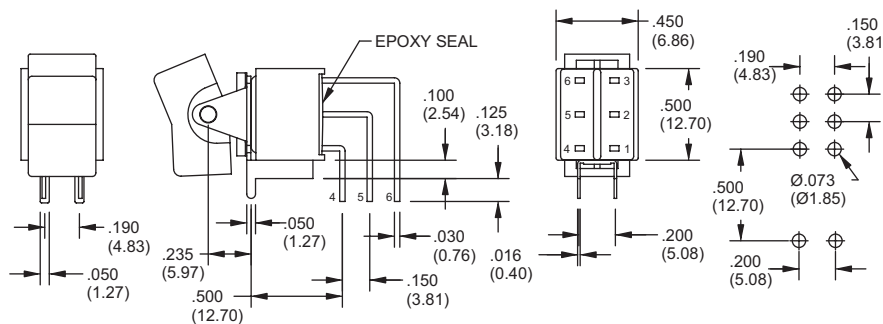


M7 Right Angle P.C. Mount, Vertical Actuation

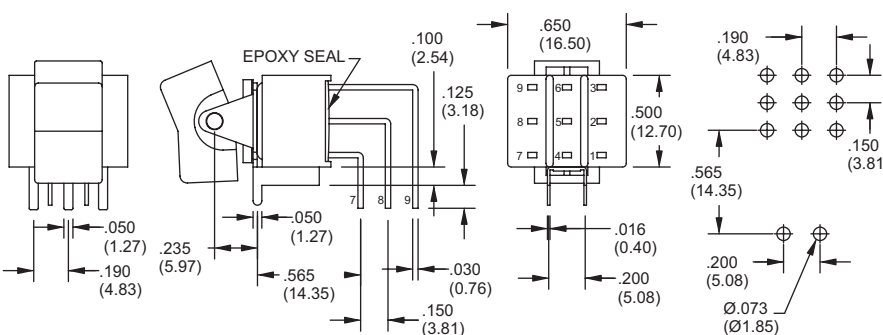
SPDT



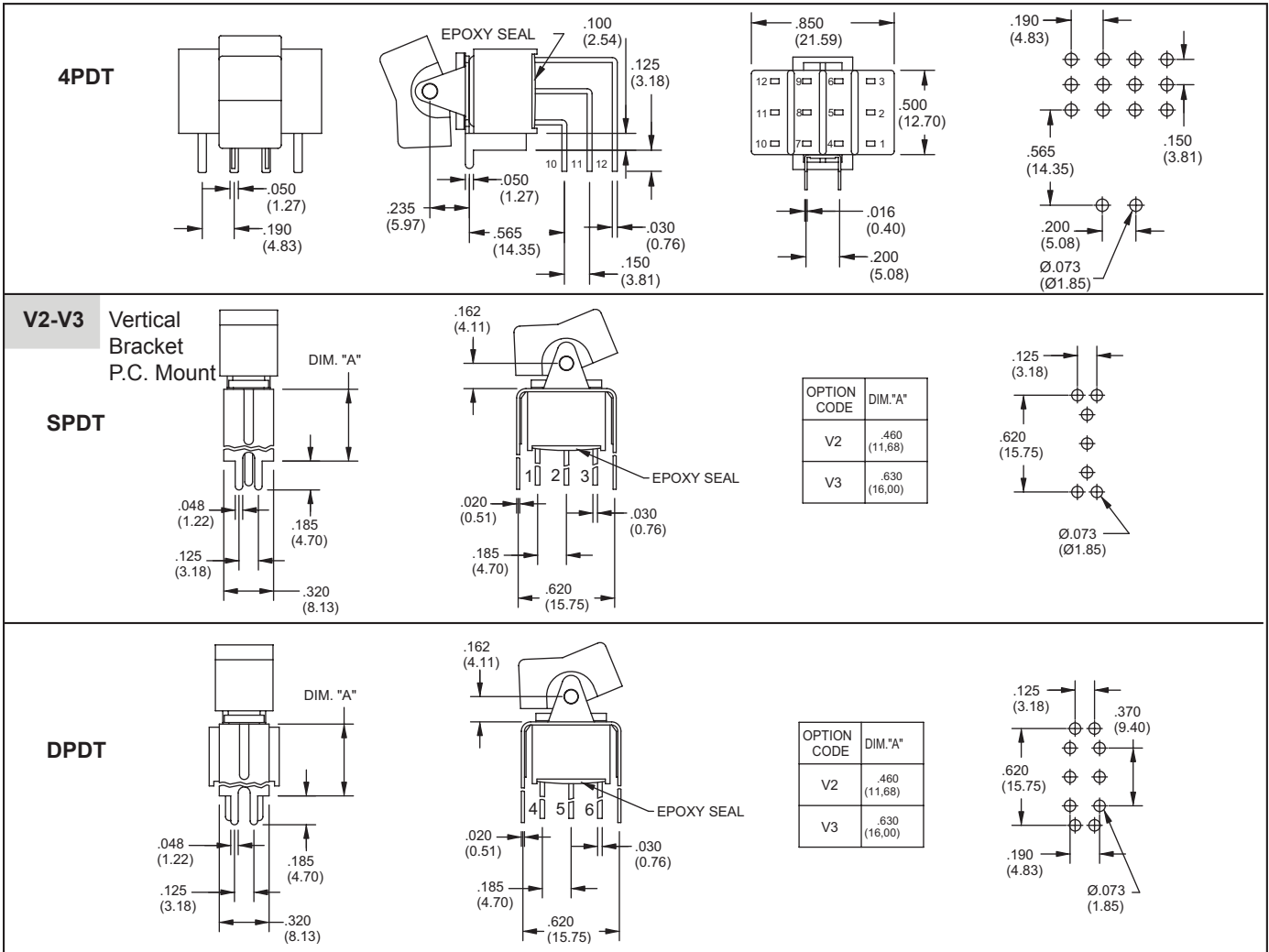
DPDT



3PDT



TERMINATION OPTIONS in inches (and millimeters)



Rocker and Paddle Switches

SPECIFICATIONS RATINGS

Contact Rating: Q option - 5A with resistive load @ 125 VAC or 28 VDC; 2A with resistive load @ 250 VAC. R option - 0.4 VA max @ 20 Vmax (AC or DC)

Electrical Life: 40,000 make-and-break cycles at full load

Contact Resistance: 10 milliohms max. initial @ 2-4 VDC, 100 mA

Insulation Resistance: 1,000 megaohms minimum

Dielectric Strength: 1,000 V RMS @ sea level

Operating Temperature: -30°C to 85°C

UL Recognition: File number is E35289

MATERIALS

Case: Diallyl phthalate (DAP) (UL 94V-0)

Rockers: Nylon (UL 94V-0)

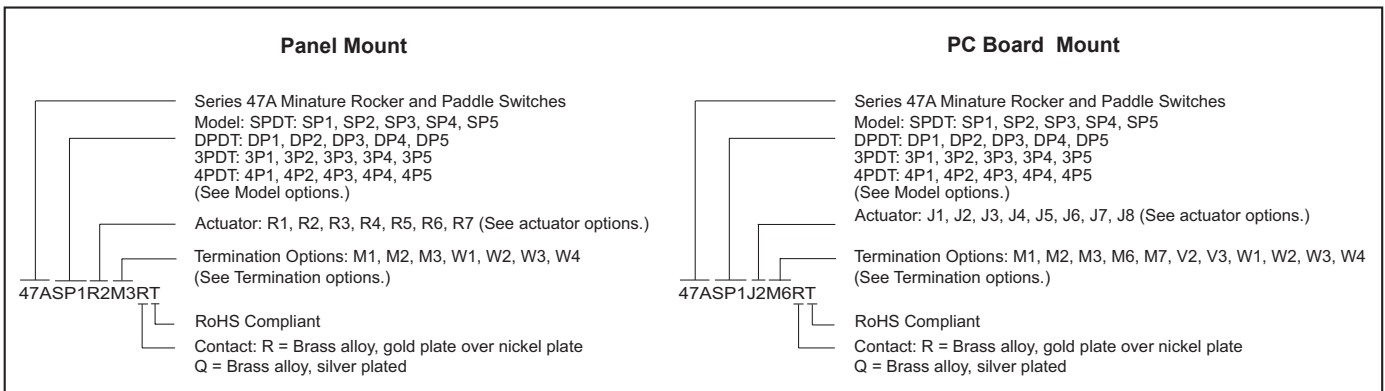
Bushing: Stainless steel

Switch Support: Brass, tin-plated

Terminal/Contacts: Brass with silver or gold plate

Terminal Seal: Epoxy

ORDERING INFORMATION



Available from your local Grayhill Component Distributor. For prices and discounts, contact a local Sales Office, an authorized local Distributor or Grayhill.