



Chipsmall Limited consists of a professional team with an average of over 10 year of expertise in the distribution of electronic components. Based in Hongkong, we have already established firm and mutual-benefit business relationships with customers from,Europe,America and south Asia,supplying obsolete and hard-to-find components to meet their specific needs.

With the principle of “Quality Parts,Customers Priority,Honest Operation,and Considerate Service”,our business mainly focus on the distribution of electronic components. Line cards we deal with include Microchip,ALPS,ROHM,Xilinx,Pulse,ON,Everlight and Freescale. Main products comprise IC,Modules,Potentiometer,IC Socket,Relay,Connector.Our parts cover such applications as commercial,industrial, and automotives areas.

We are looking forward to setting up business relationship with you and hope to provide you with the best service and solution. Let us make a better world for our industry!



Contact us

Tel: +86-755-8981 8866 Fax: +86-755-8427 6832

Email & Skype: info@chipsmall.com Web: www.chipsmall.com

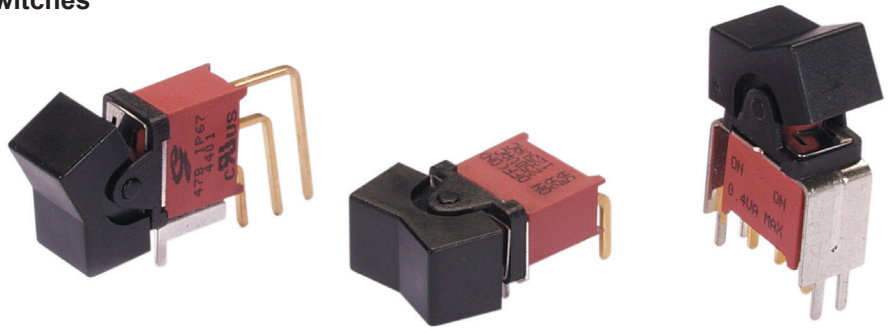
Address: A1208, Overseas Decoration Building, #122 Zhenhua RD., Futian, Shenzhen, China



SERIES 47B
Sealed Miniature Rocker and Paddle Switches

FEATURES

- Save Space and Weight
- SPDT, DPDT and 3PDT Circuitry
- Choice of Actuators and Terminations
- Sealed per IP-67



MODELS in inches (and millimeters)

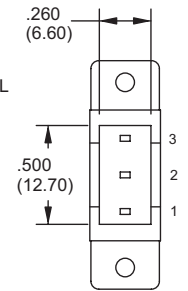
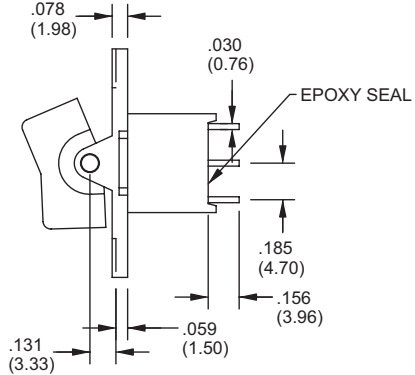
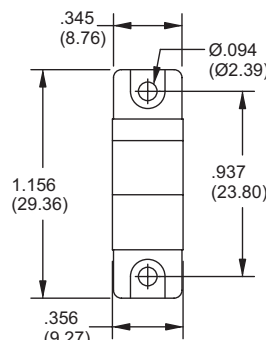
MODEL NO.	SWITCH POSITION		
WSP1	ON	NONE	ON
WSP2	ON	NONE	(ON)
WSP3	ON	OFF	ON
WSP4	(ON)	OFF	(ON)
WSP5	ON	OFF	(ON)
TERM. COMM.	2-3	OPEN	2-1

SPDT

()=MOMENTARY

02COMM.

SCHEMATIC



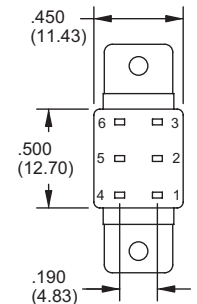
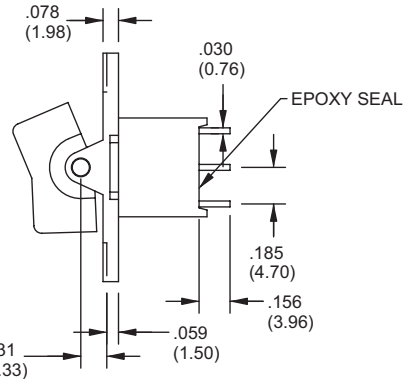
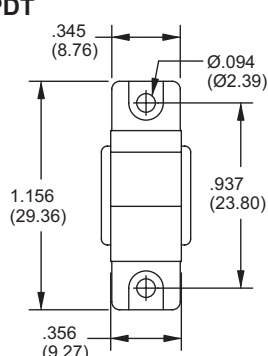
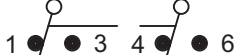
MODEL NO.	SWITCH POSITION		
WDP1	ON	NONE	ON
WDP2	ON	NONE	(ON)
WDP3	ON	OFF	ON
WDP4	(ON)	OFF	(ON)
WDP5	ON	OFF	(ON)
TERM. COMM.	2-3,5-6	OPEN	2-1,5-4

DPDT

()=MOMENTARY

02COMM. 05COMM.

SCHEMATIC



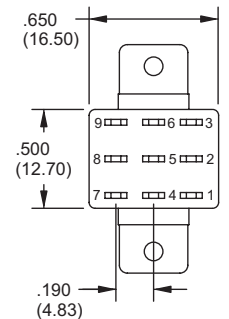
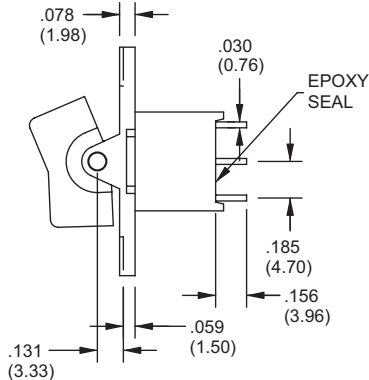
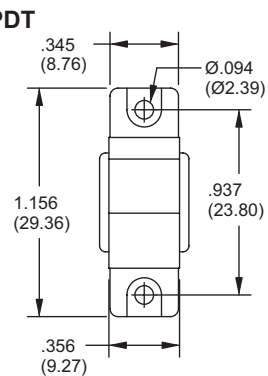
MODEL NO.	SWITCH POSITION		
W3P1	ON	NONE	ON
W3P2	ON	NONE	(ON)
W3P3	ON	OFF	ON
W3P4	(ON)	OFF	(ON)
W3P5	ON	OFF	(ON)
TERM. COMM.	2-3,5-6	OPEN	2-1,5-4

3PDT

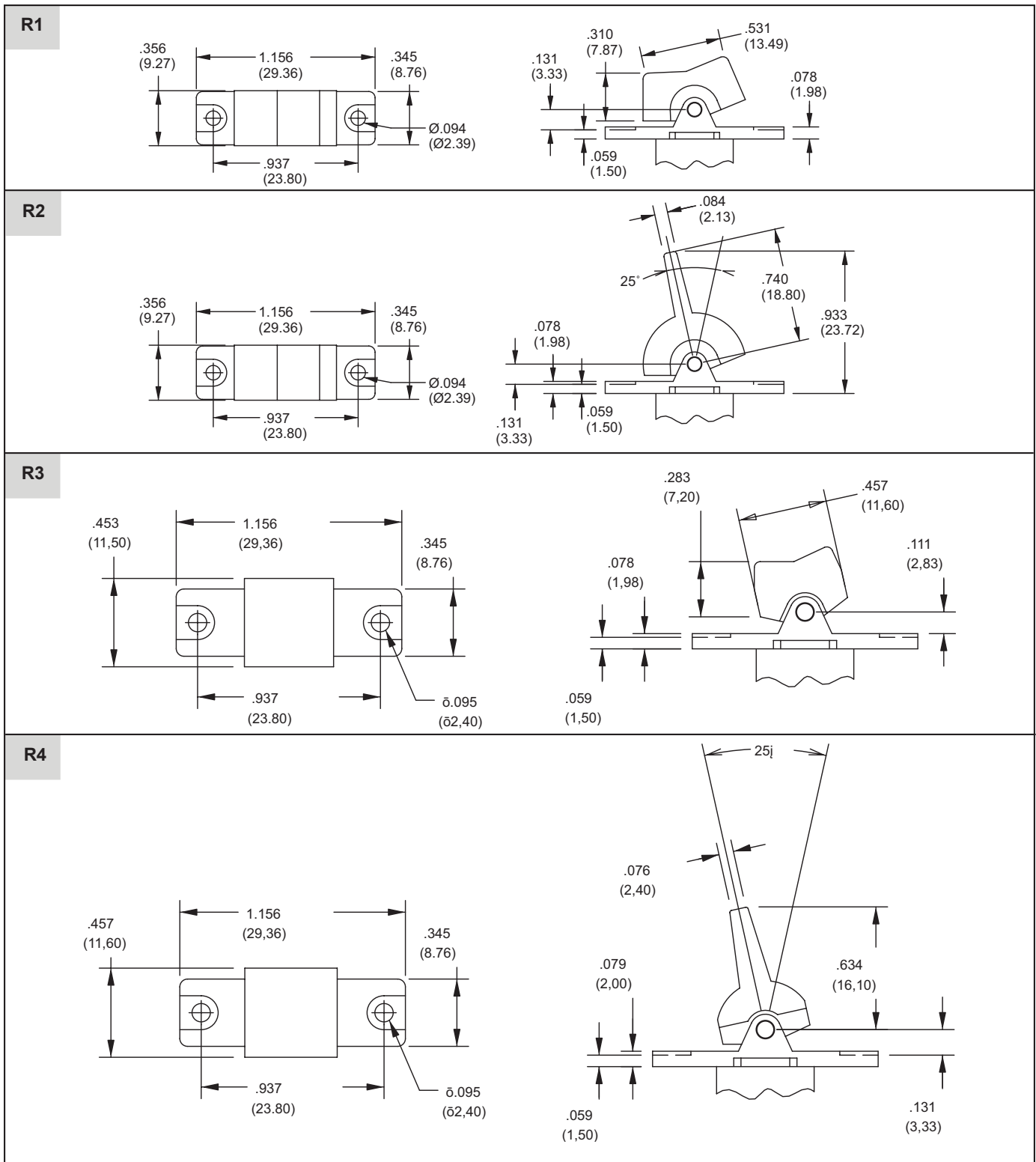
()=MOMENTARY

02COMM. 05COMM. 08COMM.

SCHEMATIC



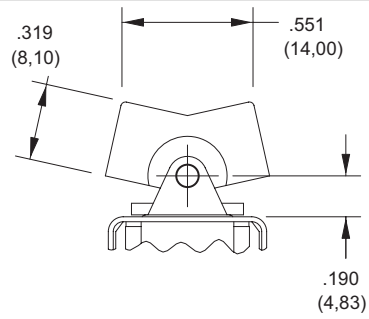
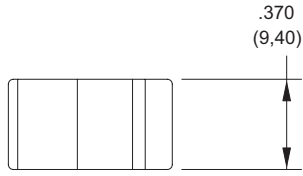
ACTUATOR OPTIONS in inches (and millimeters)



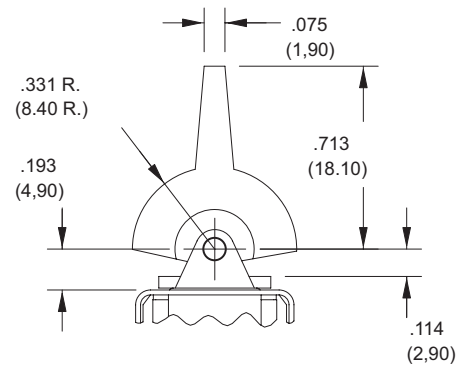
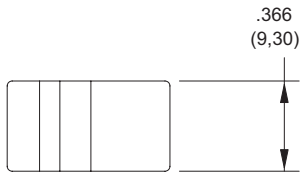
Rocker and Paddle Switches

ACTUATOR OPTIONS in inches (and millimeters)

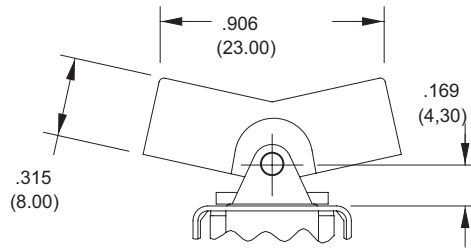
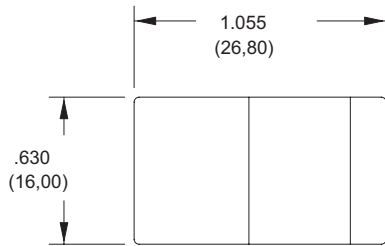
J1



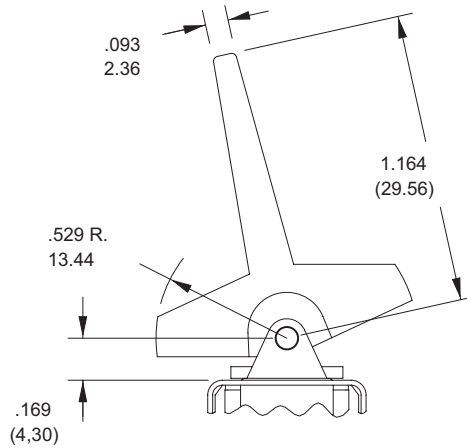
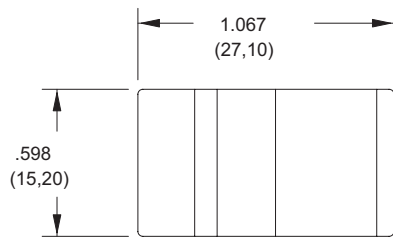
J2



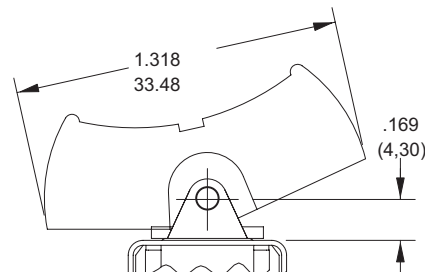
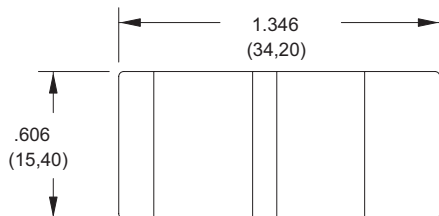
J3



J4



J5



TERMINATION OPTIONS in inches (and millimeters)

<p>M1</p>	<p>M2</p>	<p>M3</p>	<p>WX</p> <table border="1" style="float: right;"> <thead> <tr> <th>OPTION CODE</th> <th>DIM."A"</th> </tr> </thead> <tbody> <tr> <td>W1</td> <td>.750(19.05)</td> </tr> <tr> <td>W2</td> <td>.964(24.48)</td> </tr> <tr> <td>W3</td> <td>.425(10.80)</td> </tr> <tr> <td>W4</td> <td>1.062(26.97)</td> </tr> </tbody> </table>	OPTION CODE	DIM."A"	W1	.750(19.05)	W2	.964(24.48)	W3	.425(10.80)	W4	1.062(26.97)
OPTION CODE	DIM."A"												
W1	.750(19.05)												
W2	.964(24.48)												
W3	.425(10.80)												
W4	1.062(26.97)												

M6 Right Angle P.C. Mount, Horizontal Actuation

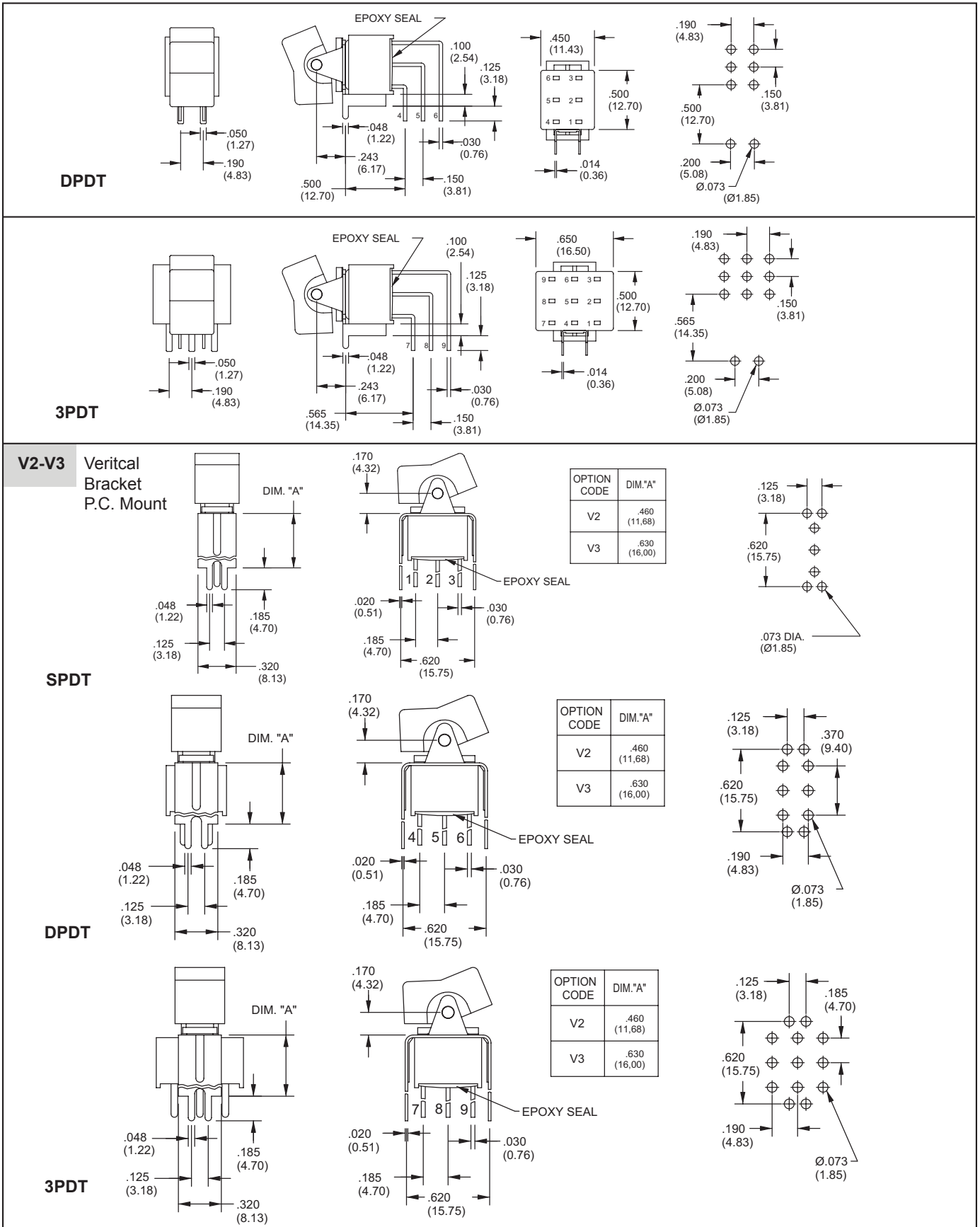
<p>SPDT</p>		
<p>DPDT</p>		
<p>3PDT</p>		

M7 Right Angle P.C. Mount, Vertical Actuation

<p>SPDT</p>		
--------------------	--	--

Rocker and Paddle Switches

TERMINATION OPTIONS in inches (and millimeters)



SPECIFICATIONS

RATINGS

Contact Rating: Q option - 5A with resistive load @ 125 VAC or 28 VDC; 2A with resistive load @ 250 VAC. R option - 0.4 VA max @ 20 Vmax (AC or DC)

Electrical Life: 50,000 make-and-break cycles at full load

Contact Resistance: Below 10 milliohms

max. initial @ 2-4 VDC, 100 mA

Insulation Resistance: 1,000 megaohms minimum

Dielectric Strength: 1,500 V RMS @ sea level

Operating Temperature: -30°C to 85°C

MATERIALS

Case and Bushing: Glass-filled nylon 6/6 , flame retardant, heat stabilized (UL94V-0)

Actuator: Nylon, black standard. Internal O-ring seal standard with all actuators.

Frame: Spring steel, black (standard)

Switch Support: Brass, tin-plated

Actuator Pivot & Mounting Bracket: Nylon (UL 94V-0)

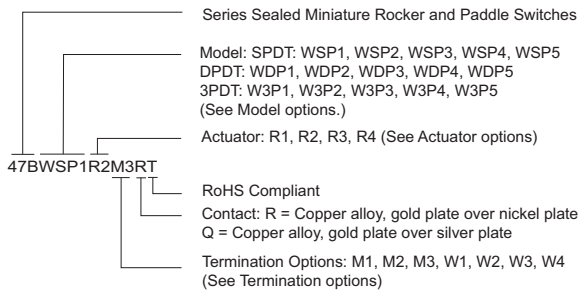
Actuator Pivot Retainer: Stainless Steel

Terminal Seal: Epoxy

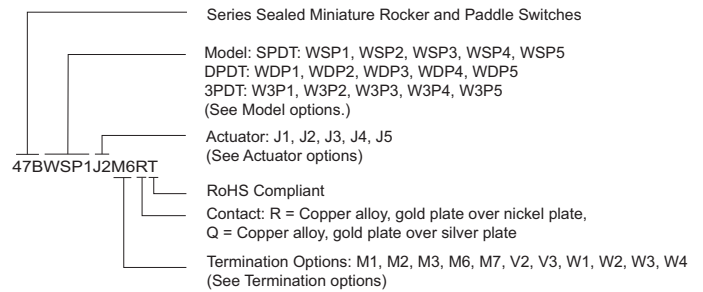
Terminal/Contacts: Copper alloy with gold plate over nickel or silver plate

ORDERING INFORMATION

Panel Mount



PC Board Mount



Available from your local Grayhill Component Distributor.

For prices and discounts, contact a local Sales Office, an authorized local Distributor or Grayhill.