



Chipsmall Limited consists of a professional team with an average of over 10 year of expertise in the distribution of electronic components. Based in Hongkong, we have already established firm and mutual-benefit business relationships with customers from,Europe,America and south Asia,supplying obsolete and hard-to-find components to meet their specific needs.

With the principle of “Quality Parts,Customers Priority,Honest Operation,and Considerate Service”,our business mainly focus on the distribution of electronic components. Line cards we deal with include Microchip,ALPS,ROHM,Xilinx,Pulse,ON,Everlight and Freescale. Main products comprise IC,Modules,Potentiometer,IC Socket,Relay,Connector.Our parts cover such applications as commercial,industrial, and automotives areas.

We are looking forward to setting up business relationship with you and hope to provide you with the best service and solution. Let us make a better world for our industry!



## Contact us

Tel: +86-755-8981 8866 Fax: +86-755-8427 6832

Email & Skype: info@chipsmall.com Web: www.chipsmall.com

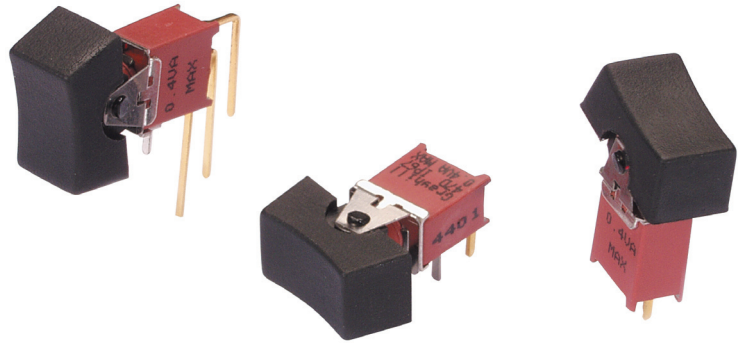
Address: A1208, Overseas Decoration Building, #122 Zhenhua RD., Futian, Shenzhen, China



## SERIES 47D Sealed Sub-Miniature Rocker Switches

### FEATURES

- Save Space and Weight
- SPDT and DPDT Circuitry
- Choice of Actuators and Terminations
- Sealed per IP-67

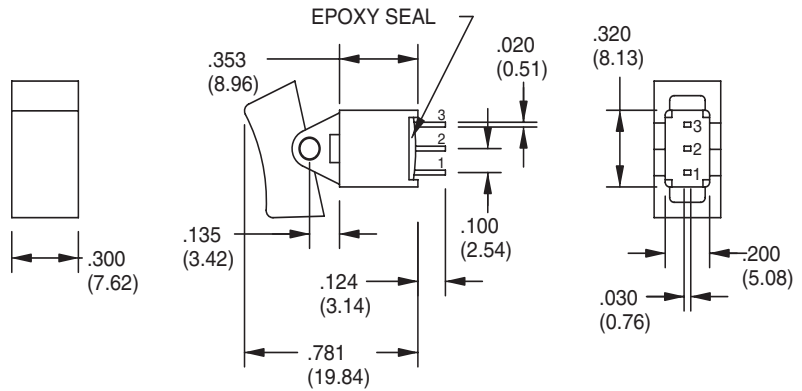


### MODELS in inches (and millimeters)

#### SPDT

MODEL NO.	SWITCH POSITION		
WMSP1	ON	NONE	ON
WMSP2	ON	NONE	(ON)
WMSP3	ON	OFF	ON
WMSP4	(ON)	OFF	(ON)
WMSP5	ON	OFF	(ON)
TERM. COMM.	2-3	OPEN	2-1

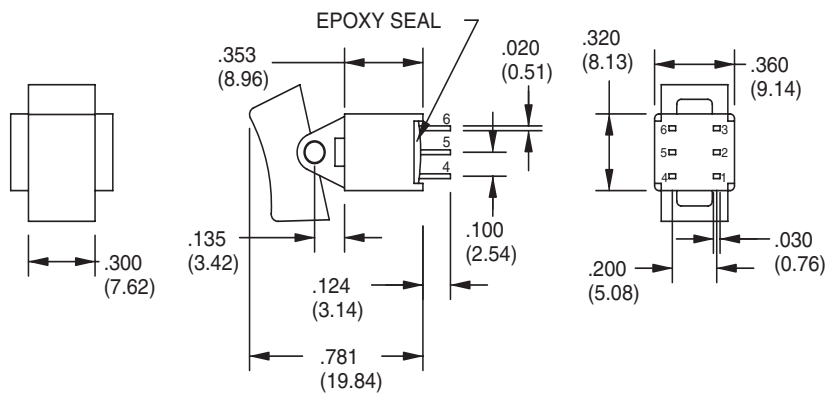
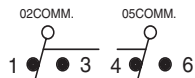
( )=MOMENTARY



#### DPDT

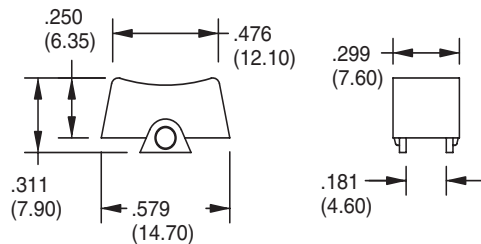
MODEL NO.	SWITCH POSITION		
WMDP1	ON	NONE	ON
WMDP2	ON	NONE	(ON)
WMDP3	ON	OFF	ON
WMDP4	(ON)	OFF	(ON)
WMDP5	ON	OFF	(ON)
TERM. COMM.	2-3,5-6	OPEN	2-1,5-4

( )=MOMENTARY

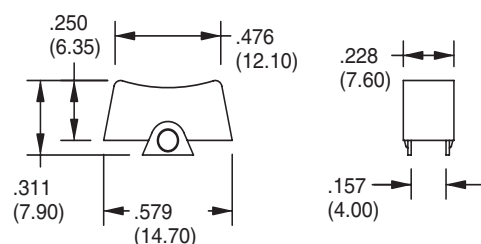


### ACTUATOR OPTIONS in inches (and millimeters)

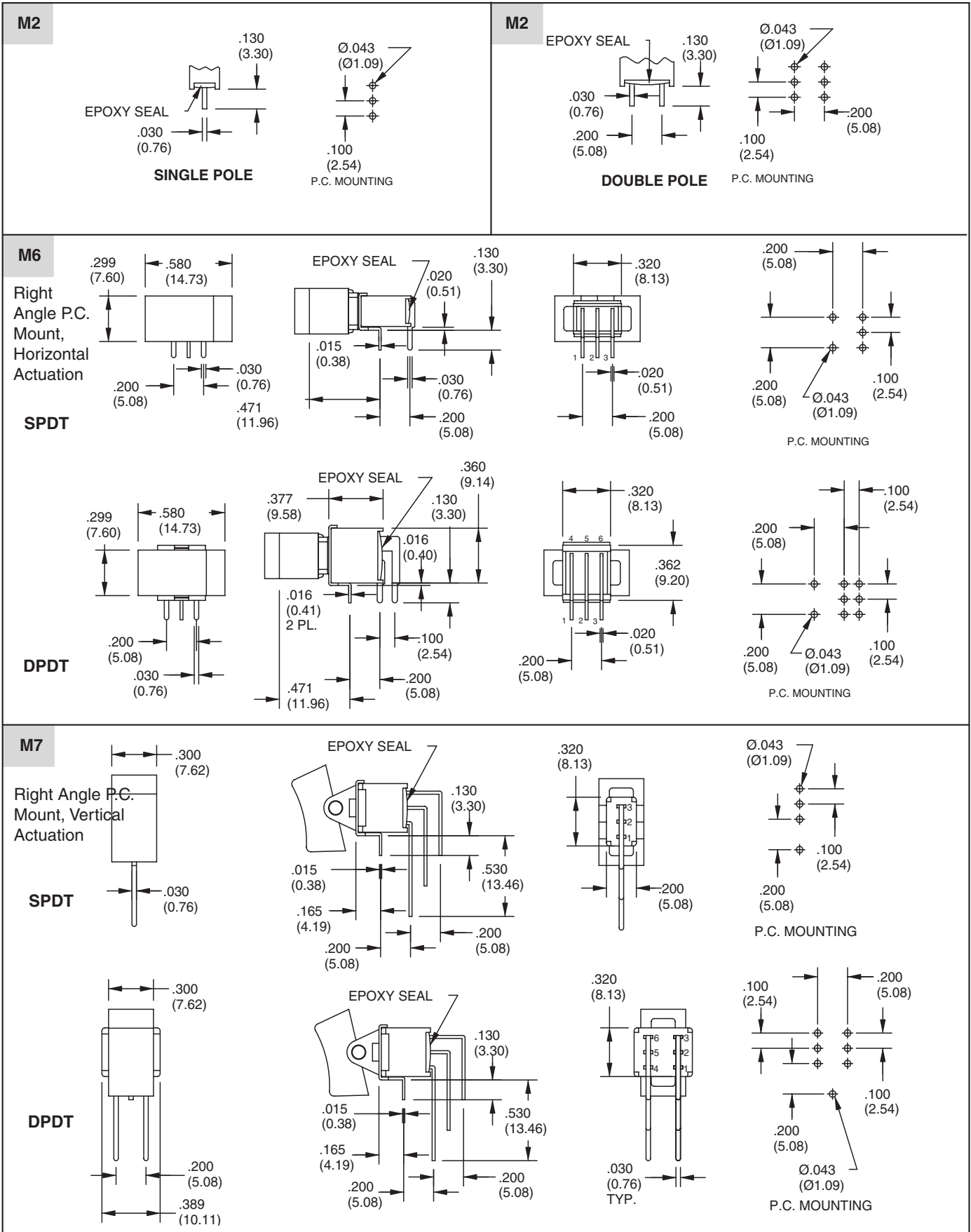
#### R1



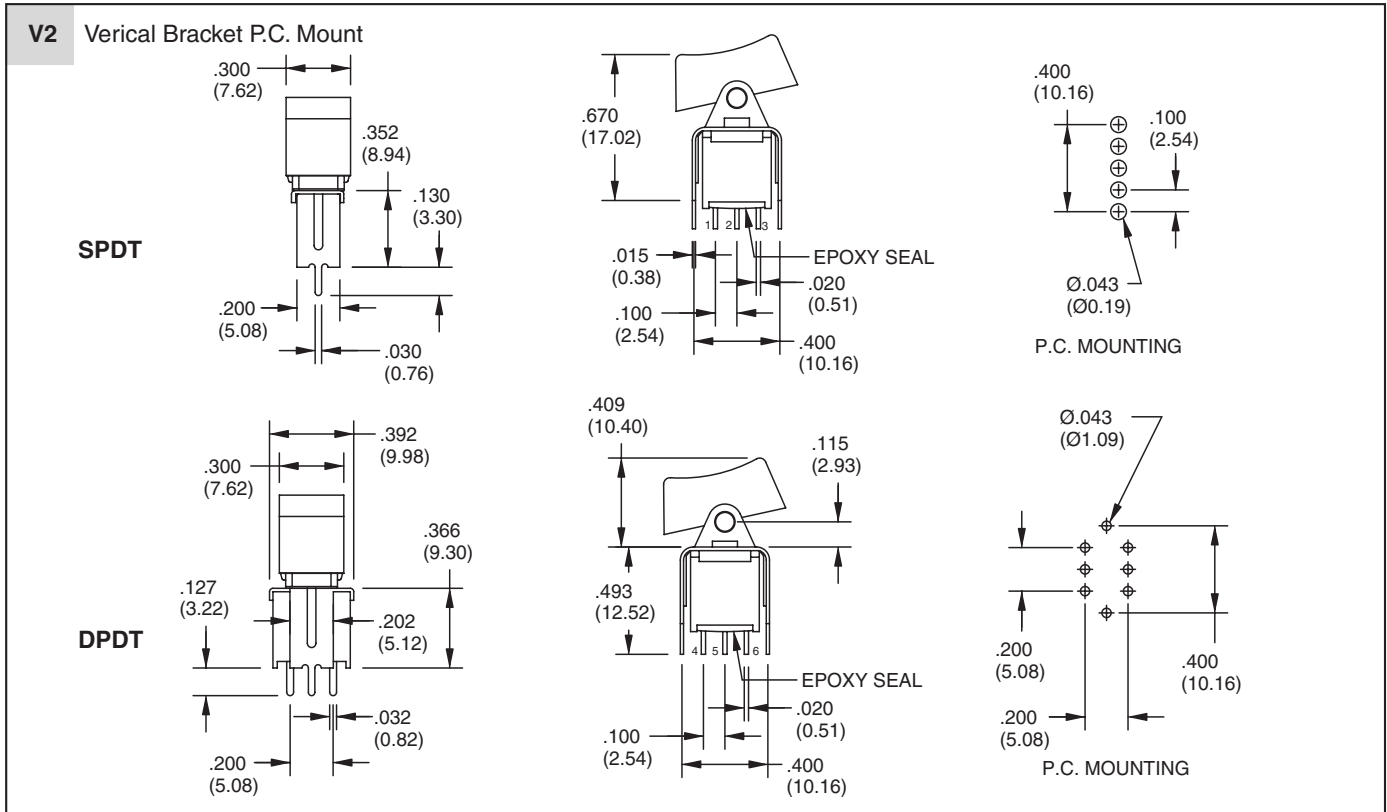
#### R2



**TERMINATION OPTIONS** in inches (and millimeters)



**TERMINATION OPTIONS** in inches (and millimeters)



**SPECIFICATIONS**

**RATINGS**

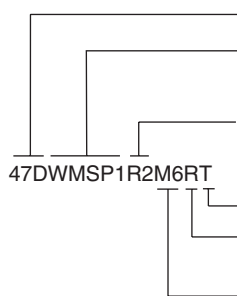
**Contact Rating:** Q option - 3A with resistive load @ 125 VAC or 28 VDC; 1.5A with resistive load @ 250 VAC. R option - 0.4 VA max @ 20 Vmax (AC or DC)  
**Electrical Life:** 30,000 make-and-break cycles at full load

**Contact Resistance:** 20 milliohms max. initial @ 2-4 VDC, 100 mA  
**Insulation Resistance:** 1,000 megaohms minimum  
**Dielectric Resistance:** 1,500 V RMS @ sea level  
**Operating Temperature:** -30°C to 85°C

**MATERIALS**

**Case and Bushings:** Glass-filled nylon 6/6, flame retardant, heat stabilized (UL94V-0)  
**Actuator:** Nylon, black standard. Internal o-ring seal standard with all actuators.  
**Switch Support:** Brass, tin-plated  
**Terminal Seal:** Epoxy  
**Terminal/Contacts:** Copper alloy with gold plate or silver plate over nickel

**ORDERING INFORMATION**



Series 47D Sealed Sub-Miniature Rocker Switch  
 Model: SPDT: WMSP1, WMSP2, WMSP3, WMSP4, WMSP5  
 DPDT: WMDP1, WMDP2, WMDP3, WMDP4, WMDP5  
 Actuator Options: R1, R2 (See Actuator options.)  
 RoHS Compliant  
 Contact: R= Copper alloy, gold plate over nickel plate  
 Q = Copper alloy, gold plate over silver plate  
 Termination Options: M2, M6, M7, V2 (See Termination options.)

Available from your local Grayhill Component Distributor.  
 For prices and discounts, contact a local Sales Office, an authorized local Distributor or Grayhill.