



Chipsmall Limited consists of a professional team with an average of over 10 year of expertise in the distribution of electronic components. Based in Hongkong, we have already established firm and mutual-benefit business relationships with customers from,Europe,America and south Asia,supplying obsolete and hard-to-find components to meet their specific needs.

With the principle of "Quality Parts,Customers Priority,Honest Operation,and Considerate Service",our business mainly focus on the distribution of electronic components. Line cards we deal with include Microchip,ALPS,ROHM,Xilinx,Pulse,ON,Everlight and Freescale. Main products comprise IC,Modules,Potentiometer,IC Socket,Relay,Connector.Our parts cover such applications as commercial,industrial, and automotives areas.

We are looking forward to setting up business relationship with you and hope to provide you with the best service and solution. Let us make a better world for our industry!



Contact us

Tel: +86-755-8981 8866 Fax: +86-755-8427 6832

Email & Skype: info@chipsmall.com Web: www.chipsmall.com

Address: A1208, Overseas Decoration Building, #122 Zhenhua RD., Futian, Shenzhen, China



Security caps

For switch series 12000 - 3500 - 600H - 6000

With standard bushing

Security caps prevent any inadvertent lever operation. When the cap is raised, the lever can be operated freely. When the cap is fully depressed, the lever is reset/locked in a stable position. They are designed for use on switches with $\varnothing 11,9$ (.468) or $\varnothing 12$ (.472) threaded bushing and lever length 17,5 (.688) outside bushing.

Note : For correct switch operation, the security cap should be adjusted properly by means of 2 nuts.

MATERIALS

- Support plate : matt black steel
- Cap : thermoset or thermoplastic (20PN, 200PN, 300PN)

MODEL STRUCTURE

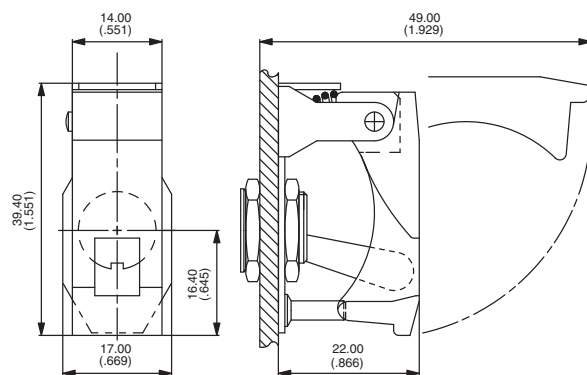


Series 20 - for 2-position switches

- Lever returned then locked in down position (OFF)



| Model No | Colour |
|----------|----------------------|
| 22 | Grey |
| 23 | White |
| 24 | Orange |
| 25 | Black |
| 26 | Red |
| 27 | Green |
| 28 | Yellow |
| 29 | Blue |
| 25/28 | Black/yellow striped |

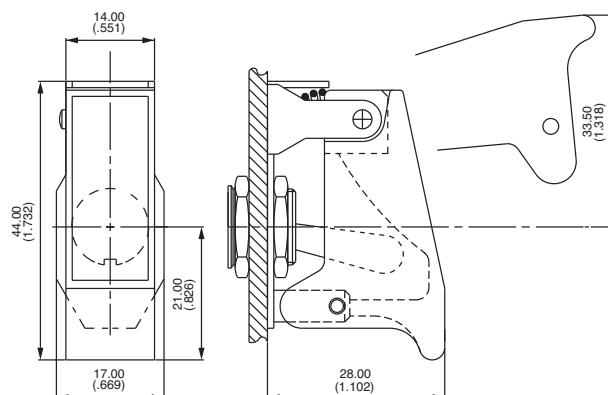


Series 20PN - for 2-position switches

- Lever returned then locked in down position (OFF)



| Model No | Colour |
|----------|--------|
| 22PN | Grey |
| 23PN | White |
| 24PN | Orange |
| 25PN | Black |
| 26PN | Red |
| 27PN | Green |
| 28PN | Yellow |
| 29PN | Blue |



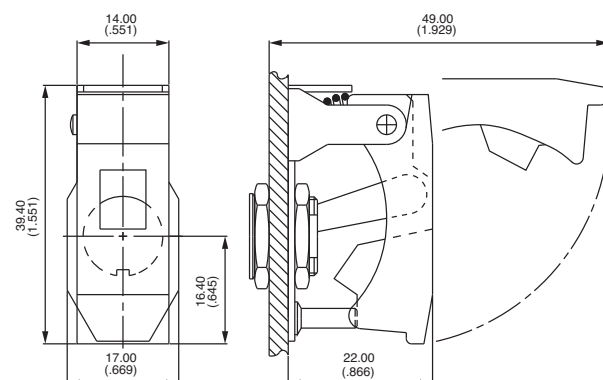
On this model, holes for wiring a seal are standard.

Series 30 - for 3-position switches

- Lever returned then locked in upper position



| Model No | Colour |
|----------|----------------------|
| 32 | Grey |
| 33 | White |
| 34 | Orange |
| 35 | Black |
| 36 | Red |
| 37 | Green |
| 38 | Yellow |
| 39 | Blue |
| 35/38 | Black/yellow striped |



Security caps

For switch series 12000 - 3500 - 600H - 6000

With standard bushing

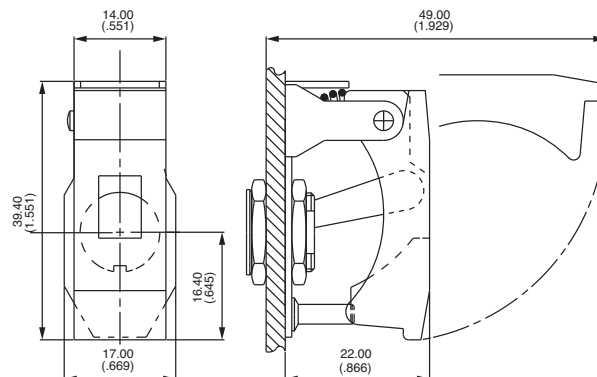
Series 40 - for 2-position switches

- Lever returned then locked in upper position



| Model No | Colour |
|----------|----------------------|
| 42 | Grey |
| 43 | White |
| 44 | Orange |
| 45 | Black |
| 46 | Red |
| 47 | Green |
| 48 | Yellow |
| 49 | Blue |
| 45/48 | Black/yellow striped |

Model 140 (with smaller aperture) recommended for the 12000 series.

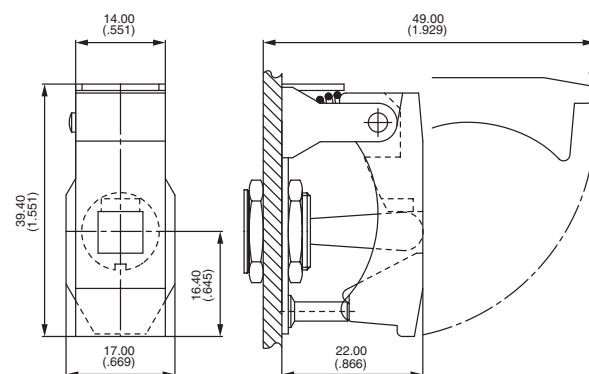


Series 80 - for 3-position switches

- Lever returned then locked in center position



| Model No | Colour |
|----------|--------|
| 82 | Grey |
| 83 | White |
| 84 | Orange |
| 85 | Black |
| 86 | Red |
| 87 | Green |
| 88 | Yellow |
| 89 | Blue |

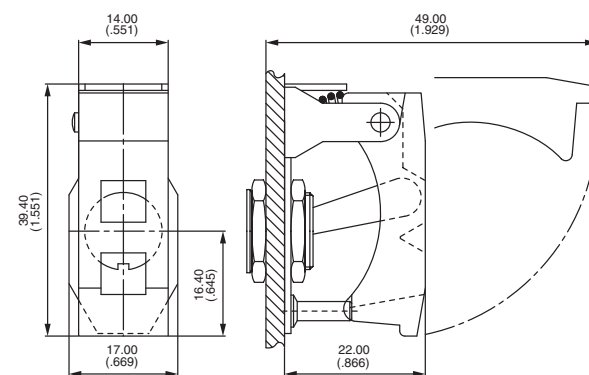


Series 200 - for 2-position switches

- Lever returned then locked either in lower or in upper position



| Model No | Colour |
|----------|--------|
| 202 | Grey |
| 203 | White |
| 204 | Orange |
| 205 | Black |
| 206 | Red |
| 207 | Green |
| 208 | Yellow |
| 209 | Blue |

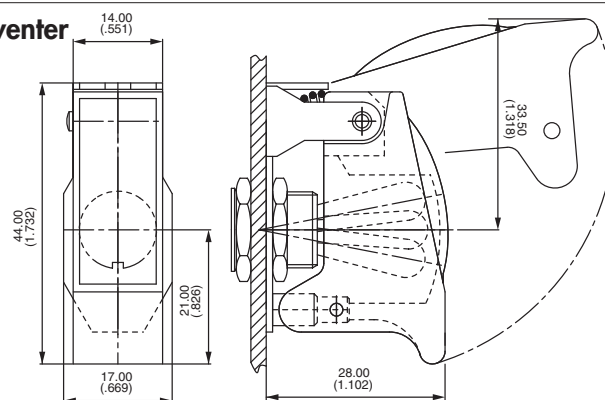


Series 200PN - for 2 or 3-position switches - action preventer

- Lever not locked, but protected in the position where left by the user



| Model No | Colour |
|----------|--------|
| 202PN | Grey |
| 203PN | White |
| 204PN | Orange |
| 205PN | Black |
| 206PN | Red |
| 207PN | Green |
| 208PN | Yellow |
| 209PN | Blue |



Security caps

For switch series 12000 - 3500 - 600H - 6000

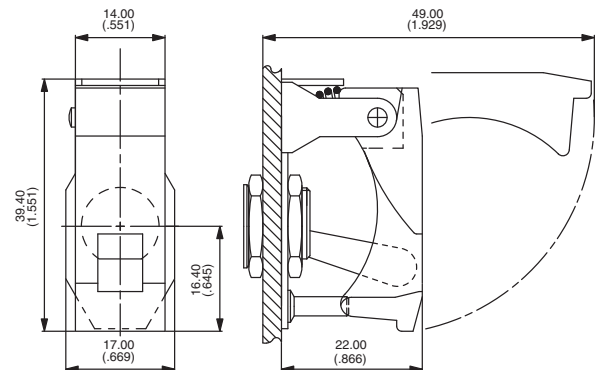
With flatted bushing

Series 50 - for 2-position switches

- Lever returned then locked in down position (OFF)



| Model No | Colour |
|----------|----------------------|
| 52 | Grey |
| 53 | White |
| 54 | Orange |
| 55 | Black |
| 56 | Red |
| 57 | Green |
| 58 | Yellow |
| 59 | Blue |
| 55/58 | Black/yellow striped |

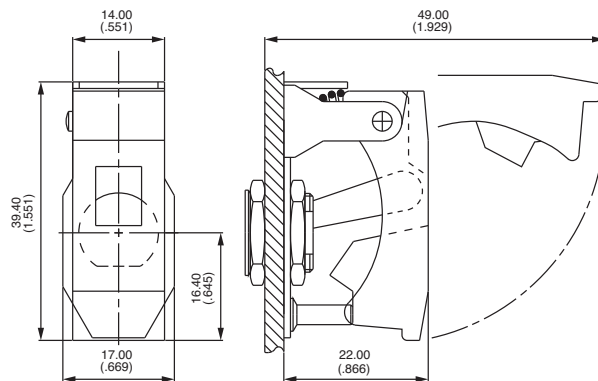


Series 60 - for 3-position switches

- Lever returned then locked in upper position



| Model No | Colour |
|----------|----------------------|
| 62 | Grey |
| 63 | White |
| 64 | Orange |
| 65 | Black |
| 66 | Red |
| 67 | Green |
| 68 | Yellow |
| 69 | Blue |
| 65/68 | Black/yellow striped |

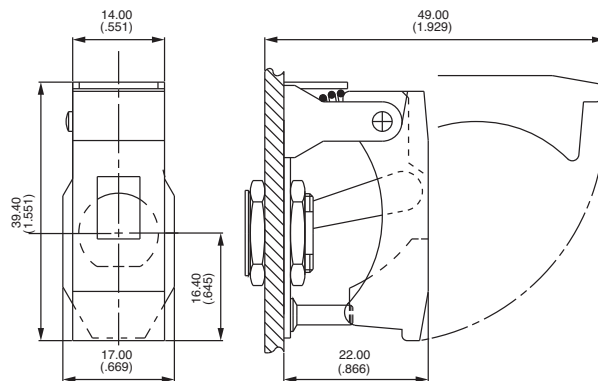


Series 70 - for 2-position switches

- Lever returned then locked in upper position



| Model No | Colour |
|----------|----------------------|
| 72 | Grey |
| 73 | White |
| 74 | Orange |
| 75 | Black |
| 76 | Red |
| 77 | Green |
| 78 | Yellow |
| 79 | Blue |
| 75/78 | Black/yellow striped |



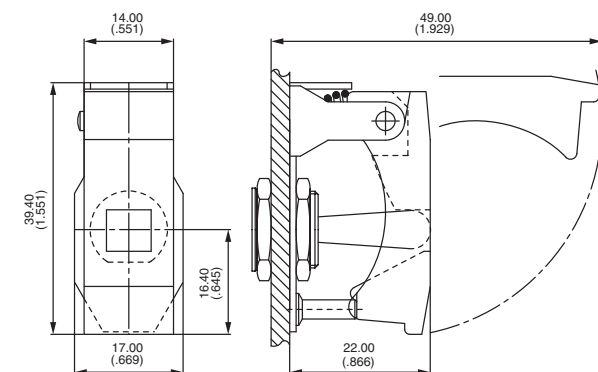
Model 170 (with smaller aperture) recommended for the 12000 series.

Series 100 - for 3-position switches

- Lever returned then locked in center position



| Model No | Colour |
|----------|--------|
| 102 | Grey |
| 103 | White |
| 104 | Orange |
| 105 | Black |
| 106 | Red |
| 107 | Green |
| 108 | Yellow |
| 109 | Blue |



Security caps

For switch series 12000 - 3500 - 600H - 6000

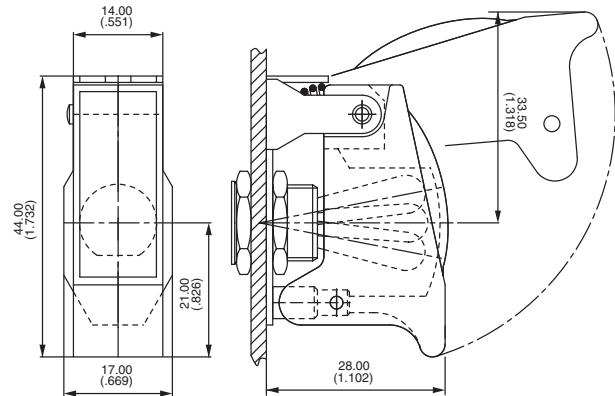
With flatted bushing

Series 300PN - for 2 or 3-position switches

- Lever not locked, but protected in the position where left by the user.



| Model No | Colour |
|----------|--------|
| 302PN | Grey |
| 303PN | White |
| 304PN | Orange |
| 305PN | Black |
| 306PN | Red |
| 307PN | Green |
| 308PN | Yellow |
| 309PN | Blue |

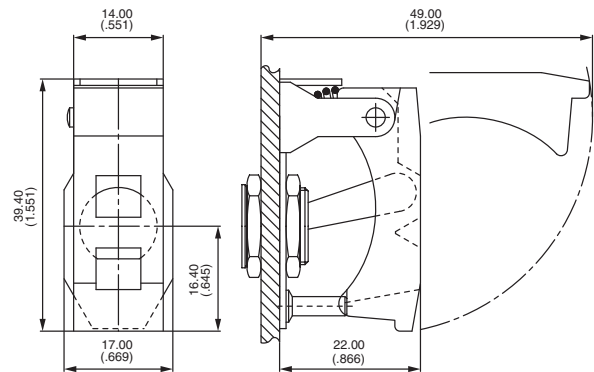


Series 500 - for 2-position switches

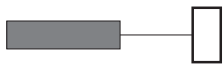
- Lever returned then locked either in lower or in upper position



| Model No | Colour |
|----------|--------|
| 502 | Grey |
| 503 | White |
| 504 | Orange |
| 505 | Black |
| 506 | Red |
| 507 | Green |
| 508 | Yellow |
| 509 | Blue |

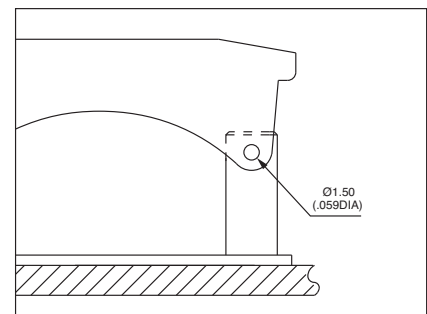


OPTIONS



P Holes for wiring a seal

Cap engraving available : consult factory.



Security caps

For switch series 3500 - 600H - 6000

With standard or flatted bushing

Series 90

- Lever locked in center position

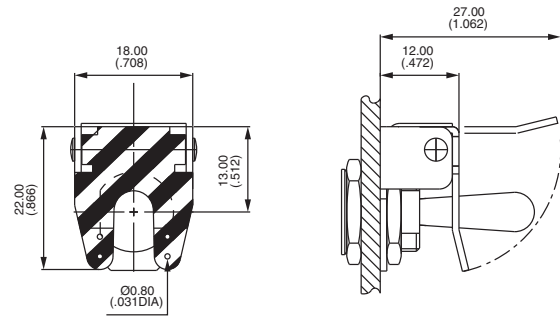


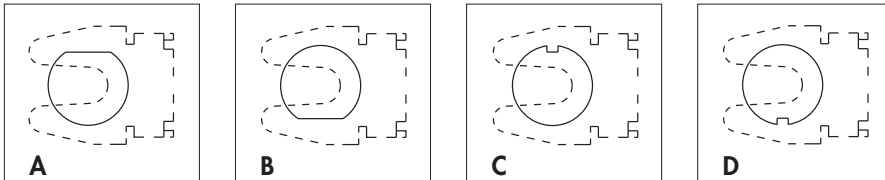
Plate features holes for wiring a seal.

To build a part number, select desired option from each category here below.

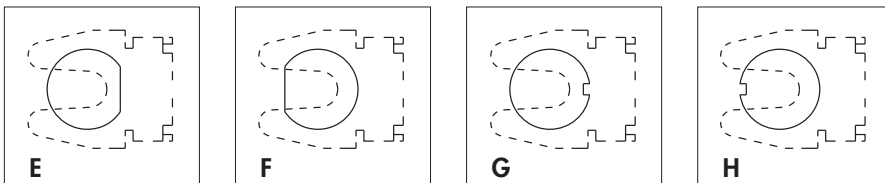
BUSHING SHAPES



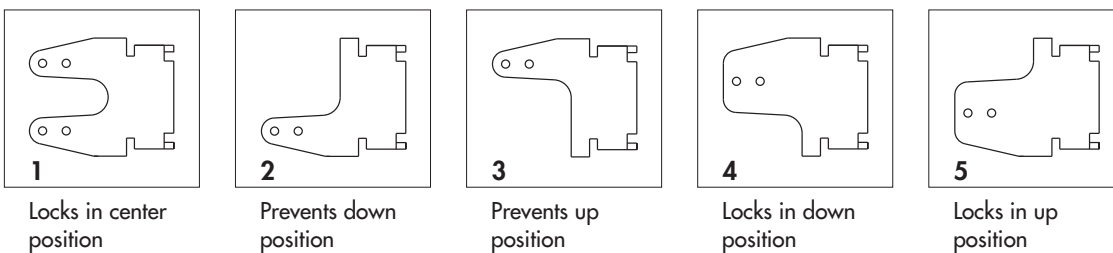
For standard products



For other products



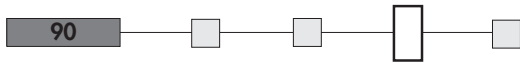
SECURITY CAP SHAPE



Security caps

For switch series 3500 - 600H - 6000 (continued) - For pushbutton series 13000

SECURITY CAP COLOURS



| | |
|-----|---------------------|
| 1 | Blue |
| 2 | Black |
| 3 | Green |
| 4 | Grey |
| 5 | Yellow |
| 6 | Red |
| 7/1 | White |
| 9 | Orange |
| 0 | Striped (see below) |

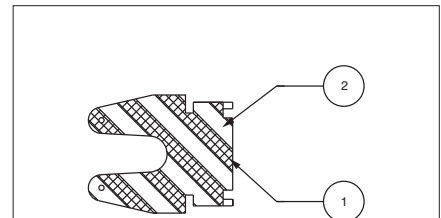
COLOUR OF STRIPES



Stripe ①

Stripe ②

| | | |
|---|--------|-------|
| A | Red | Black |
| B | Yellow | Black |
| C | Red | White |
| D | White | Black |



Series 90AX2328 for pushbutton series 13000 with Ø 11,9 (15/32) bushing

- Spring-loaded cover returning automatically in lower position.
The user has to keep the cover raised while actuating the switch.



| Model No | Colour |
|-------------|-------------------------|
| 90AX2328-27 | Black with white stripe |
| 90AX2328-67 | Red with white stripe |

