



Chipsmall Limited consists of a professional team with an average of over 10 year of expertise in the distribution of electronic components. Based in Hongkong, we have already established firm and mutual-benefit business relationships with customers from,Europe,America and south Asia,supplying obsolete and hard-to-find components to meet their specific needs.

With the principle of “Quality Parts,Customers Priority,Honest Operation,and Considerate Service”,our business mainly focus on the distribution of electronic components. Line cards we deal with include Microchip,ALPS,ROHM,Xilinx,Pulse,ON,Everlight and Freescale. Main products comprise IC,Modules,Potentiometer,IC Socket,Relay,Connector.Our parts cover such applications as commercial,industrial, and automotives areas.

We are looking forward to setting up business relationship with you and hope to provide you with the best service and solution. Let us make a better world for our industry!



Contact us

Tel: +86-755-8981 8866 Fax: +86-755-8427 6832

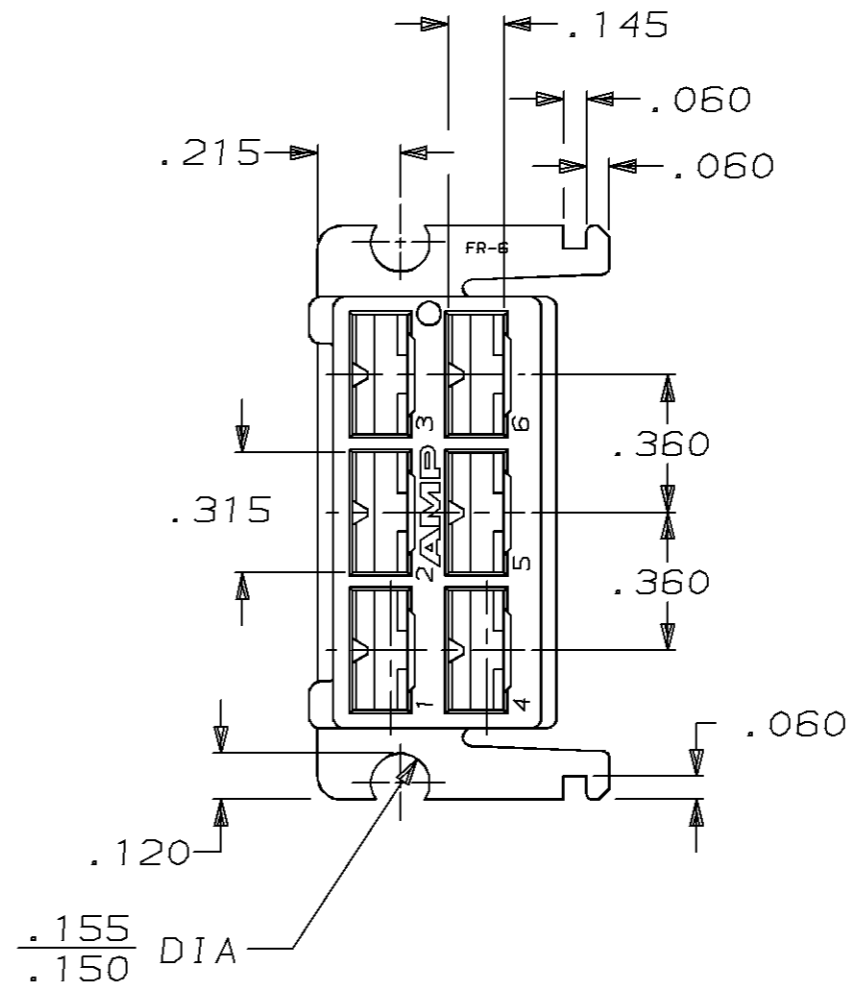
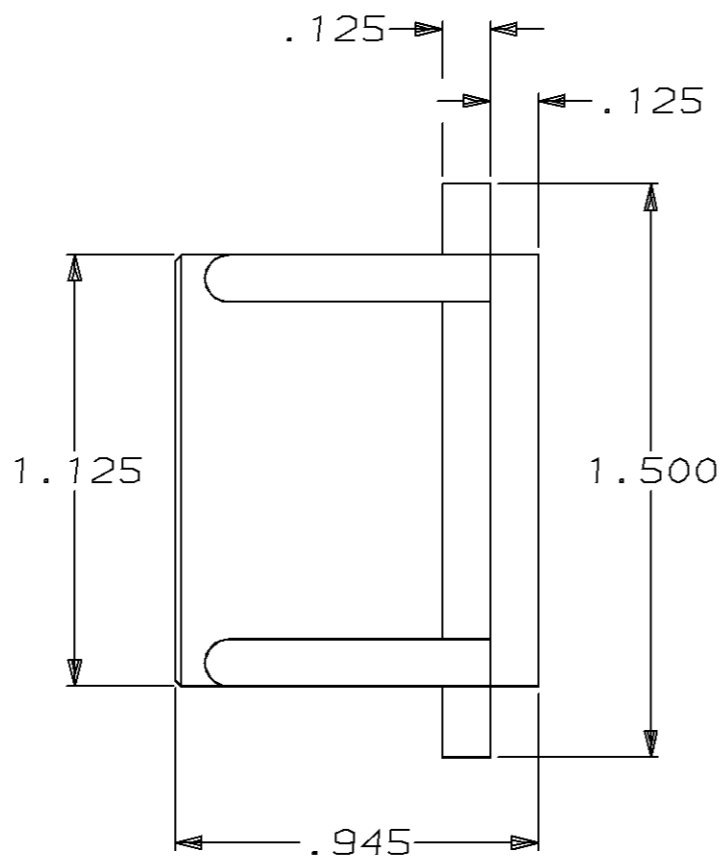
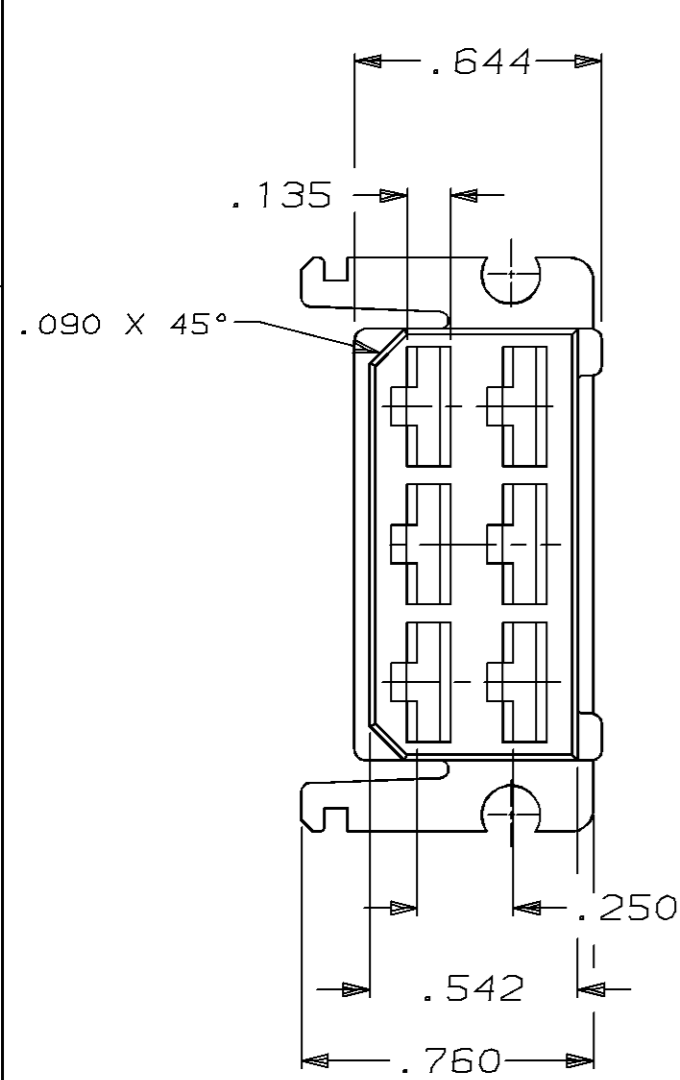
Email & Skype: info@chipsmall.com Web: www.chipsmall.com

Address: A1208, Overseas Decoration Building, #122 Zhenhua RD., Futian, Shenzhen, China



THIS DRAWING IS UNPUBLISHED. RELEASED FOR PUBLICATION, 19 .
 © COPYRIGHT 19 BY AMP INCORPORATED. ALL INTERNATIONAL RIGHTS RESERVED.

LOC	DIST	P	F	REVISIONS				
AF	50			ZONE	LTR	DESCRIPTION	DATE	APPD
					AB	REV PER 0L10-0069-96	8/30/96	JR/RB



- 1 HOUSING USED WITH TAB HOUSING 480004.
- 2 PART NUMBER 480003-5 WAS 480186-3.
- 3 FOR MOUNTING DIMENSIONS REFER TO APPLICATION SPEC 114-2025.

	NATURAL	6/6 NYLON	△ 480003-5
	COLOR	MATERIAL	PART NO
DO NOT SCALE PRINT. UNLESS SPECIFIED DIMENSIONS ARE IN INCHES TOLERANCES ON: 2 PLC DEC ± - 3 PLC DEC ± .015 ANGLES ± -	DR 2/5/91 JR RUTH CHK 2/5/91 P FORTNEY APPD 2/5/91 C MEYERS APPD 2/5/91 D REINER PRODUCT SPEC -	AMP AMP Incorporated Harrisburg, PA 17105-3608	
MATERIAL SEE TABLE	FINISH SEE TABLE	NAME HOUSING, RECEPTACLE, FASTIN-FASTON, .250 SERIES	
	APPLICATION SPEC 114-2025	SIZE B	CAGE CODE 00779
	WEIGHT -	DRAWING NO 480003	SHEET 1 OF 1
		SCALE 2:1	