



Chipsmall Limited consists of a professional team with an average of over 10 year of expertise in the distribution of electronic components. Based in Hongkong, we have already established firm and mutual-benefit business relationships with customers from,Europe,America and south Asia,supplying obsolete and hard-to-find components to meet their specific needs.

With the principle of “Quality Parts,Customers Priority,Honest Operation,and Considerate Service”,our business mainly focus on the distribution of electronic components. Line cards we deal with include Microchip,ALPS,ROHM,Xilinx,Pulse,ON,Everlight and Freescale. Main products comprise IC,Modules,Potentiometer,IC Socket,Relay,Connector.Our parts cover such applications as commercial,industrial, and automotives areas.

We are looking forward to setting up business relationship with you and hope to provide you with the best service and solution. Let us make a better world for our industry!



Contact us

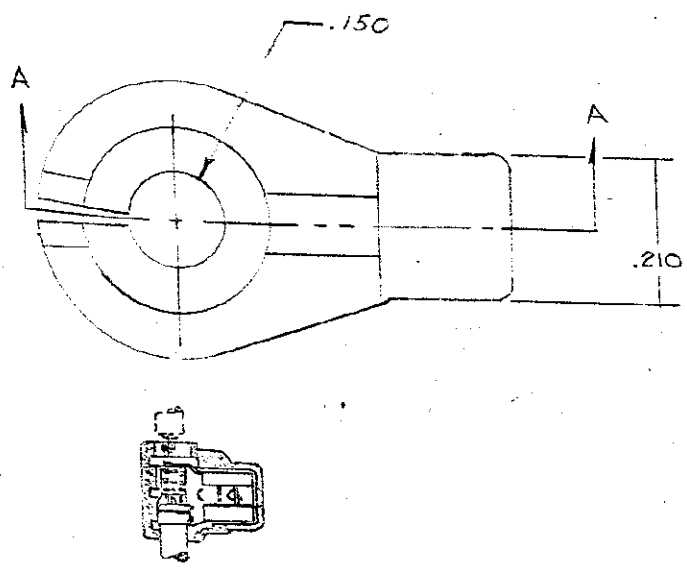
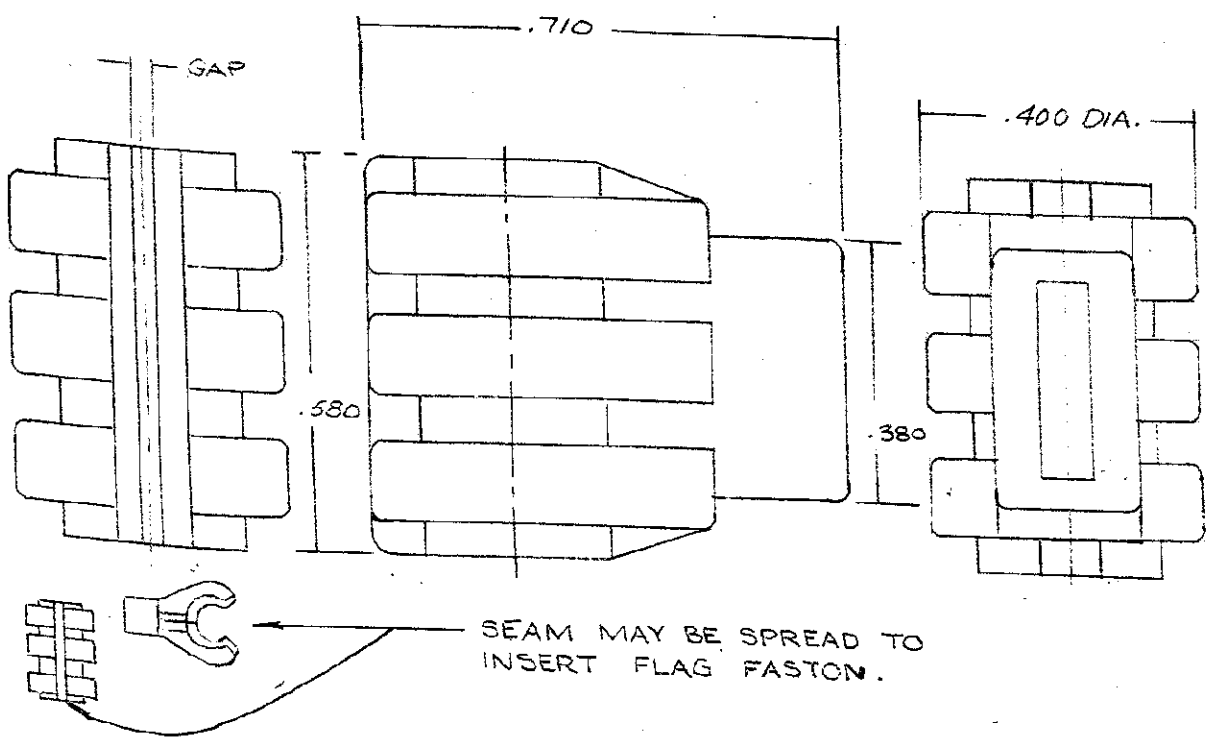
Tel: +86-755-8981 8866 Fax: +86-755-8427 6832

Email & Skype: info@chipsmall.com Web: www.chipsmall.com

Address: A1208, Overseas Decoration Building, #122 Zhenhua RD., Futian, Shenzhen, China



NUMBER 480019



HOUSING NO.	COLOR
480019-6	BLUE

DIMENSIONS IN INCHES. DO NOT SCALE PRINT

SEC-A-A ACTUAL SIZE

CUSTOMER DRAWING

				MATERIAL SEMI-RIGID VINYL		©1931 BY AMP INCORPORATED. ALL RIGHTS RESERVED. AMP PRODUCTS COVERED BY PATENTS AND/OR PATENTS PENDING.	
				FINISH		AMP INCORPORATED HARRISBURG, PENNA.	
				WIRE SIZE	INSULATION DIA	AMP	
G REVISED				TOLERANCE EXCEPT AS NOTED		SCALE	LOC NO
F REVISION RECORD				= .015		4-1	AF A 480019
LTR				NAME		INSULATING BOOT FOR FLAG FASTON	
DR	C. VEYER 8-30			DATE		APP	
CHK	K. [Signature]			DATE		APP	