



Chipsmall Limited consists of a professional team with an average of over 10 year of expertise in the distribution of electronic components. Based in Hongkong, we have already established firm and mutual-benefit business relationships with customers from,Europe,America and south Asia,supplying obsolete and hard-to-find components to meet their specific needs.

With the principle of "Quality Parts,Customers Priority,Honest Operation,and Considerate Service",our business mainly focus on the distribution of electronic components. Line cards we deal with include Microchip,ALPS,ROHM,Xilinx,Pulse,ON,Everlight and Freescale. Main products comprise IC,Modules,Potentiometer,IC Socket,Relay,Connector.Our parts cover such applications as commercial,industrial, and automotives areas.

We are looking forward to setting up business relationship with you and hope to provide you with the best service and solution. Let us make a better world for our industry!



Contact us

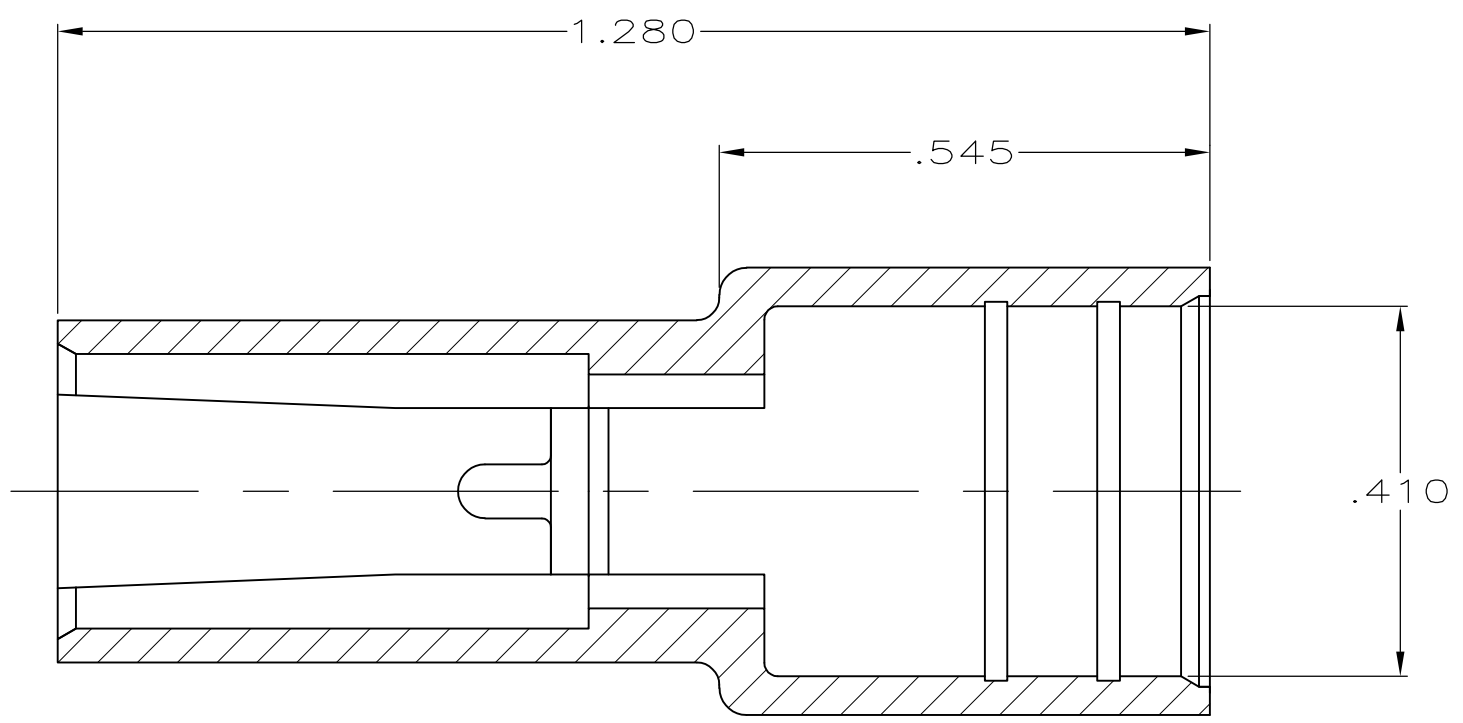
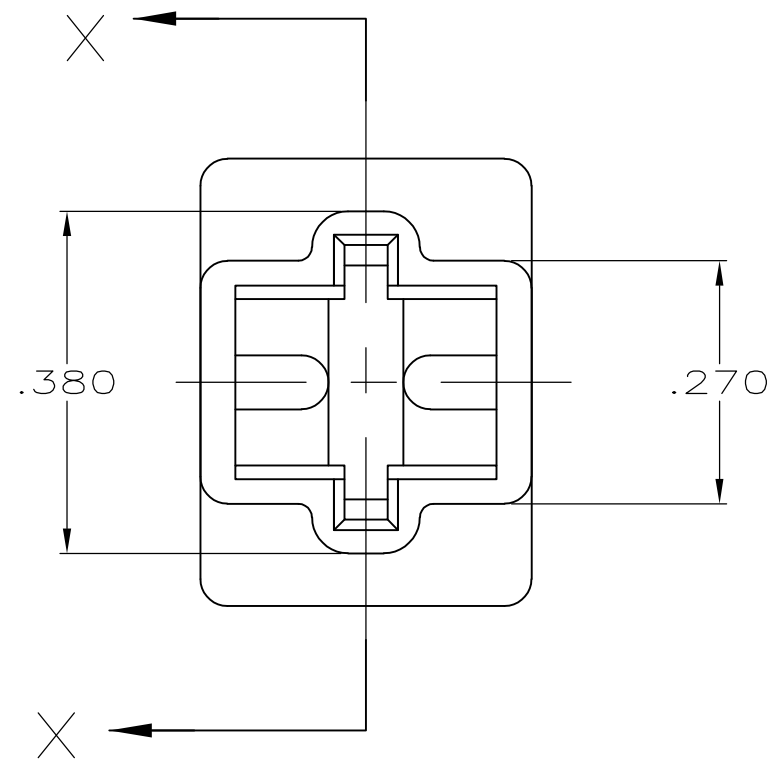
Tel: +86-755-8981 8866 Fax: +86-755-8427 6832

Email & Skype: info@chipsmall.com Web: www.chipsmall.com

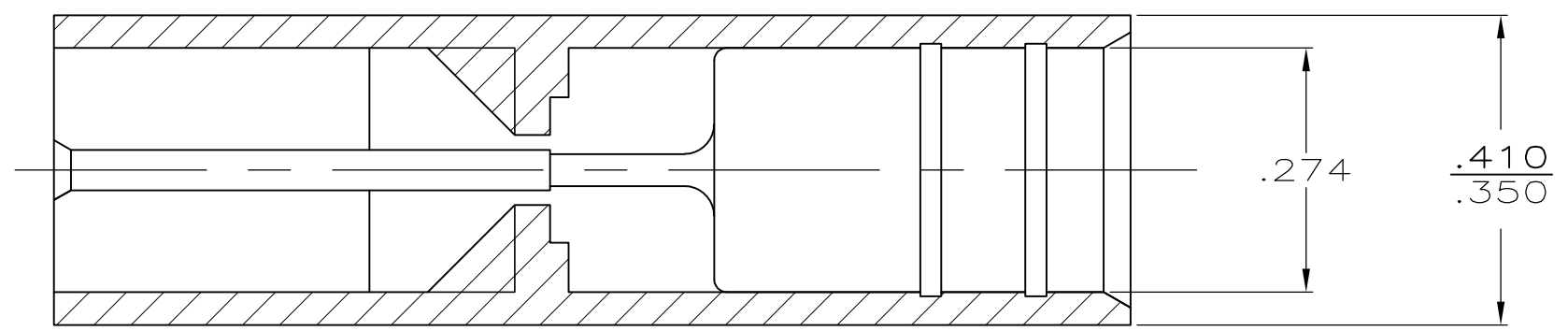
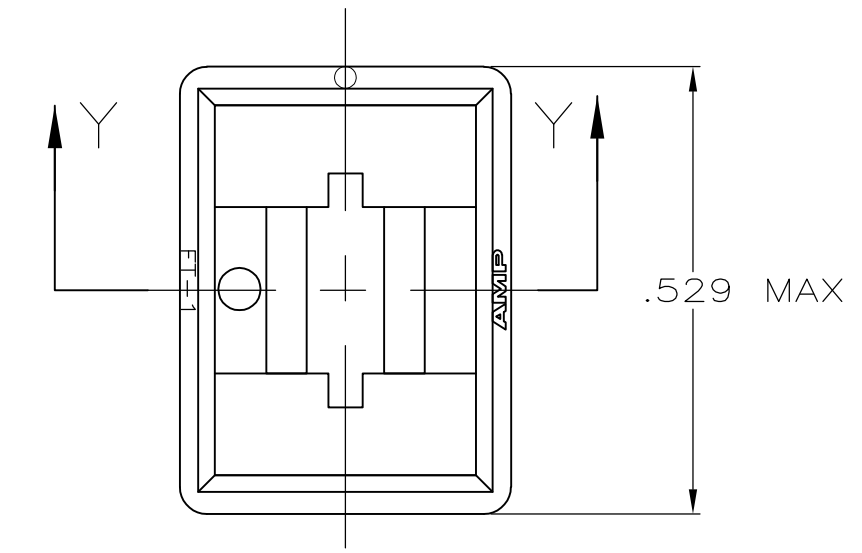
Address: A1208, Overseas Decoration Building, #122 Zhenhua RD., Futian, Shenzhen, China



LOC	DIST	REVISIONS					
AF	50	P	LTR	DESCRIPTION	DATE	DWN	APVD
		AE2		REVISED PER ECO-11-004917	11MAR11	RK	HMR



SECTION X-X



SECTION Y-Y
ROTATED 90° CW

1 OBSOLETE PARTS: OBSOLETE CIS STREAMLINING PER D.RENAUD/D.SINISI

1	OBSOLETE	BLACK	4/6 NYLON UL 150° C	1-480053-0
	OBSOLETE	DYED GREY	6/6 NYLON	480053-9
	OBSOLETE	DYED PINK	6/6 NYLON	480053-8
	SUPERSEDED BY 480053-3	DYED BLUE	6/6 NYLON	480053-7
	SUPERSEDED BY 480053-3	DYED GREEN	6/6 NYLON	480053-6
		RED	6/6 NYLON	480053-5
		BLACK	6/6 NYLON	480053-4
		NATURAL	6/6 NYLON	480053-3
	SUPERSEDED BY 480053-4	BLACK	CYCOLAC	480053-2
	SUPERSEDED BY 480053-3	CLEAR	TENITE	480053-1
		COLOR	MATERIAL	PART NO

THIS DRAWING IS A CONTROLLED DOCUMENT FOR AMP INCORPORATED. IT IS SUBJECT TO CHANGE AND THE CONTROLLING ENGINEERING ORGANIZATION SHOULD BE CONTACTED FOR THE LATEST REVISION.

THIS DRAWING IS A CONTROLLED DOCUMENT.		DWN	JR RUTH	3/10/94	TE Connectivity HOUSING, TAB, FASTIN-FASTON, .250 SERIES			
DIMENSIONS: MM[INCHES]		CHK	MS FEHER	3/10/94				
TOLERANCES UNLESS OTHERWISE SPECIFIED:		APVD	R BEAVER	3/10/94				
0 PLC ± - 1 PLC ± - 2 PLC ± - 3 PLC ± .015 4 PLC ± - ± - ANGLES ± - ± - FINISH SEE TABLE		PRODUCT SPEC						
MATERIAL	SEE TABLE	APPLICATION SPEC			SIZE	CAGE CODE	DRAWING NO	RESTRICTED TO
		WEIGHT	-		A2	00779	480053	
CUSTOMER DRAWING				SCALE	5:1	SHEET	1 of 1	REV
								AE2

480053