



Chipsmall Limited consists of a professional team with an average of over 10 year of expertise in the distribution of electronic components. Based in Hongkong, we have already established firm and mutual-benefit business relationships with customers from,Europe,America and south Asia,supplying obsolete and hard-to-find components to meet their specific needs.

With the principle of “Quality Parts,Customers Priority,Honest Operation,and Considerate Service”,our business mainly focus on the distribution of electronic components. Line cards we deal with include Microchip,ALPS,ROHM,Xilinx,Pulse,ON,Everlight and Freescale. Main products comprise IC,Modules,Potentiometer,IC Socket,Relay,Connector.Our parts cover such applications as commercial,industrial, and automotives areas.

We are looking forward to setting up business relationship with you and hope to provide you with the best service and solution. Let us make a better world for our industry!



Contact us

Tel: +86-755-8981 8866 Fax: +86-755-8427 6832

Email & Skype: info@chipsmall.com Web: www.chipsmall.com

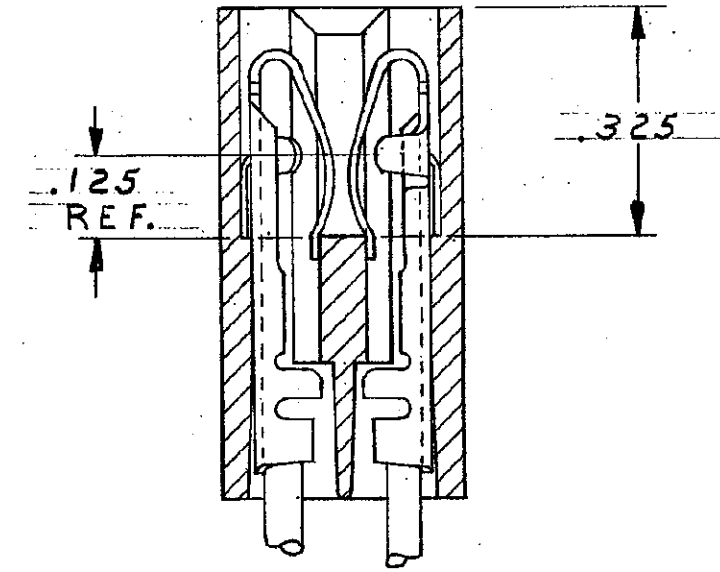
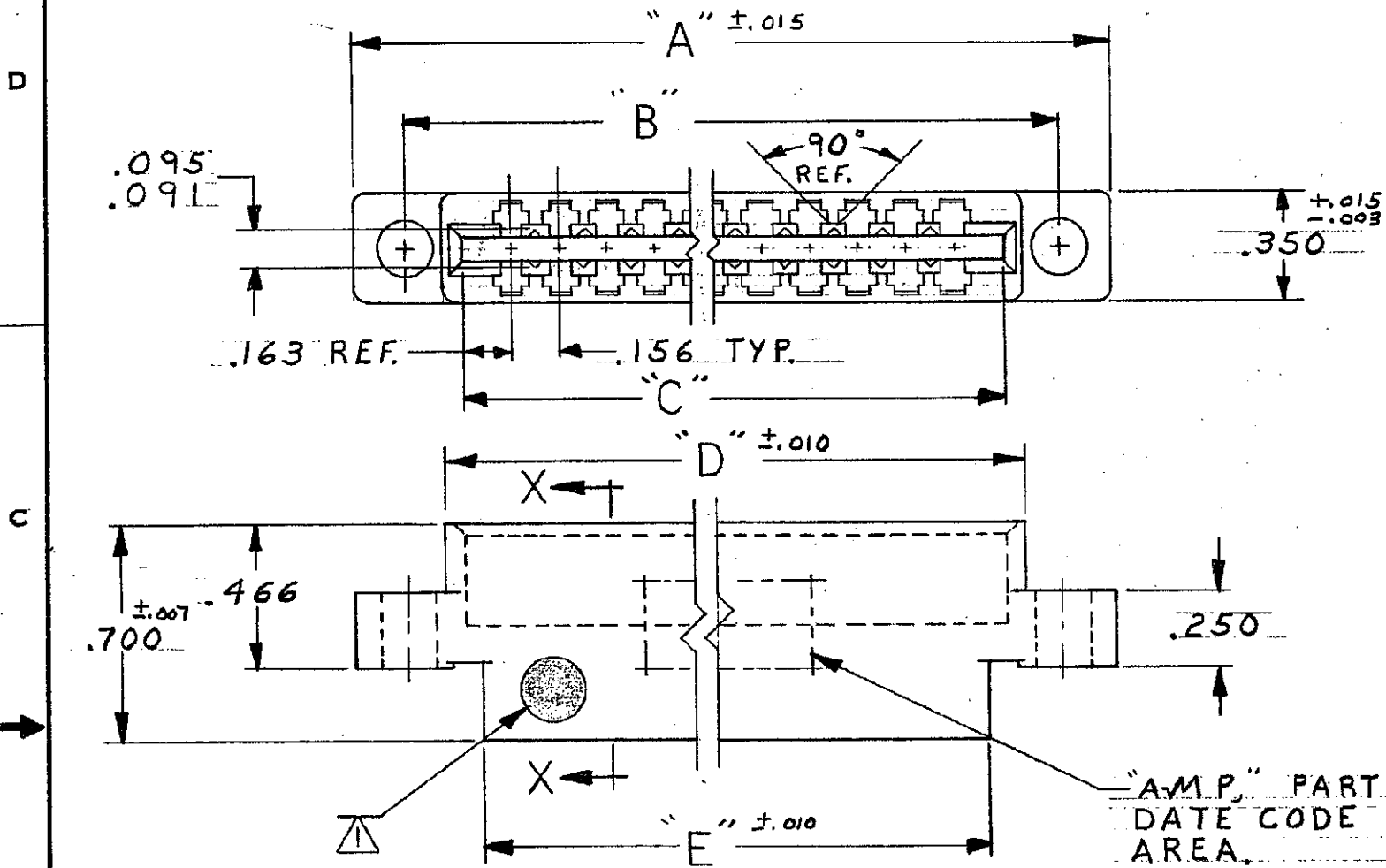
Address: A1208, Overseas Decoration Building, #122 Zhenhua RD., Futian, Shenzhen, China



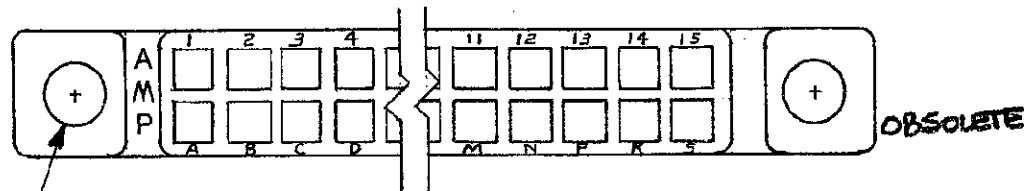
DRAWING MADE IN AMERICAN PROJECTION

© 1961 BY AMP INCORPORATED. ALL RIGHTS RESERVED. AMP PRODUCTS COVERED BY PATENTS AND/OR PATENTS PENDING.

REVISIONS				
ZONE	LTR	DESCRIPTION	DATE	APPROVED
	AD	REDRAWN & REVISED	3270	11-17-71 m.s. d.H.
	AE	REVISED NOTE 1	7490	8-4-81
✓	AF	REV PER AD 1735		7-27-87
✓	AG	REV PER EC 0320-344-47		24 NOV 97 NS



"AMP," PART NO. & DATE CODE IN THIS AREA.



.187 DIA. HOLE
 2 HOLES

480110-7	3.182	±.007 2.854	2.506	2.621	2.376	△ 1 △ 3
480110-5	3.182	±.007 2.854	2.506	2.621	2.376	△ 3
480110-2	3.187	±.0075 2.8590	2.510	2.625	2.380	△ 2
PART NO.	"A"	"B"	"C"	"D"	"E"	MATERIAL

△ 1. STAMP .250 ±.015 DIA. WHITE DOT ON LOWER LEFT HAND CORNER ON EITHER SIDE OF HOUSING

△ 2. DIALLYL PHTHALATE-GLASS FILLED PER MIL-M-14 F TYPE SDG-F COLOR: BLUE.

△ 3. PHENOLIC-COLOR BLACK.

UNLESS OTHERWISE SPECIFIED DIMENSIONS ARE IN INCHES TOLERANCES ON: DECIMALS ±.005 ANGLES ±	CONTRACT NO.	AMP AMP INCORPORATED HARRISBURG, PENNSYLVANIA
	DR. <i>M. Smick</i> 11-16-71 CHK. <i>D.S. Heide</i> 11-22-71 APPD. <i>John W. Kaufman</i> 11-27-71 REL. <i>R. Shreeman</i> 11-23-71	
MATERIAL SEE TABLE	NAME HOUSING, AMP-LEAF, 15 DUAL.	SIZE B
	CODE IDENT NO. 00779	NUMBER 480110
	SCALE 2-1 3-1	SHEET 1 OF 1

LOG FT
 PRINT LIST
 122