



Chipsmall Limited consists of a professional team with an average of over 10 year of expertise in the distribution of electronic components. Based in Hongkong, we have already established firm and mutual-benefit business relationships with customers from,Europe,America and south Asia,supplying obsolete and hard-to-find components to meet their specific needs.

With the principle of “Quality Parts,Customers Priority,Honest Operation,and Considerate Service”,our business mainly focus on the distribution of electronic components. Line cards we deal with include Microchip,ALPS,ROHM,Xilinx,Pulse,ON,Everlight and Freescale. Main products comprise IC,Modules,Potentiometer,IC Socket,Relay,Connector.Our parts cover such applications as commercial,industrial, and automotives areas.

We are looking forward to setting up business relationship with you and hope to provide you with the best service and solution. Let us make a better world for our industry!



Contact us

Tel: +86-755-8981 8866 Fax: +86-755-8427 6832

Email & Skype: info@chipsmall.com Web: www.chipsmall.com

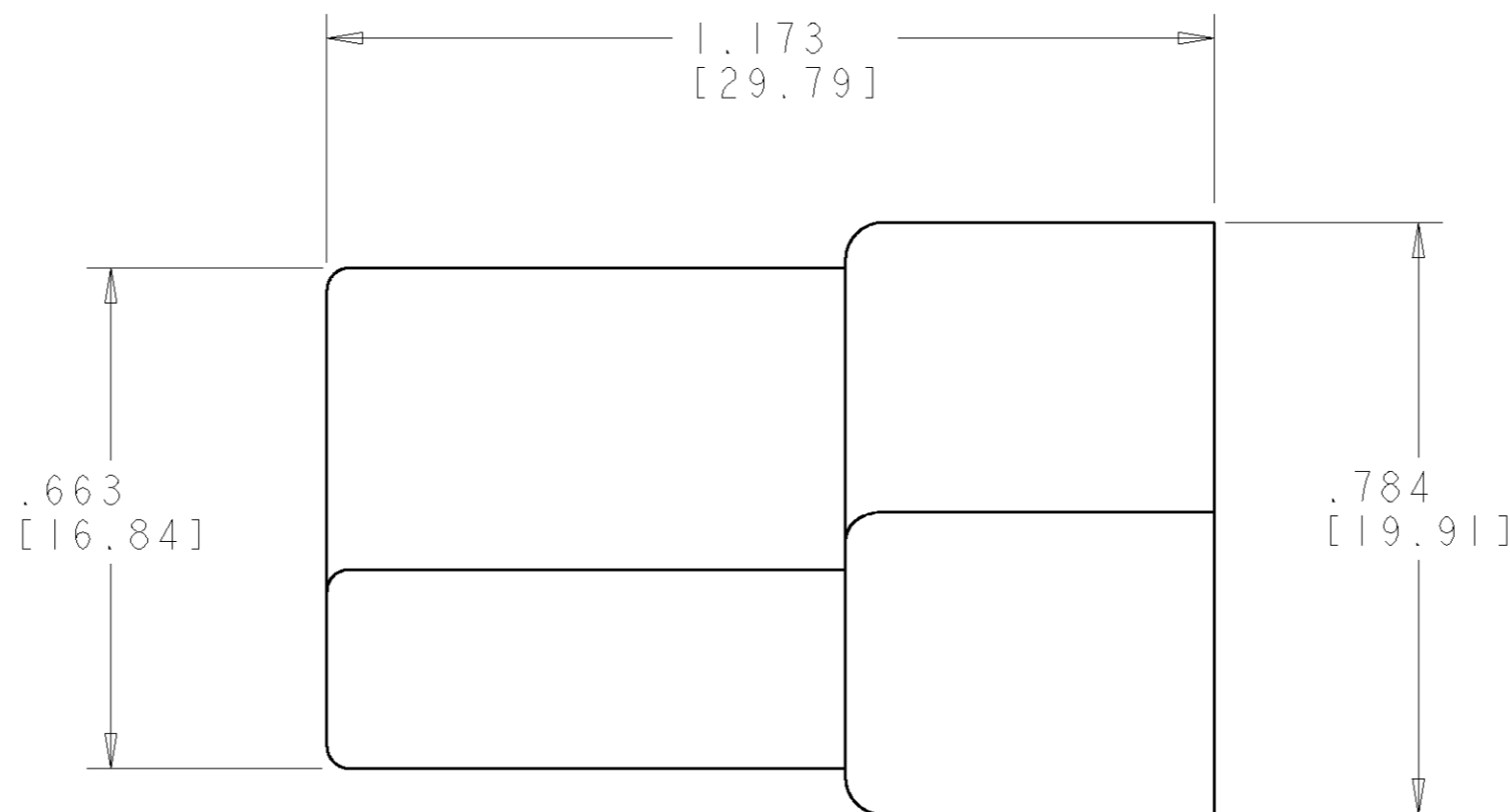
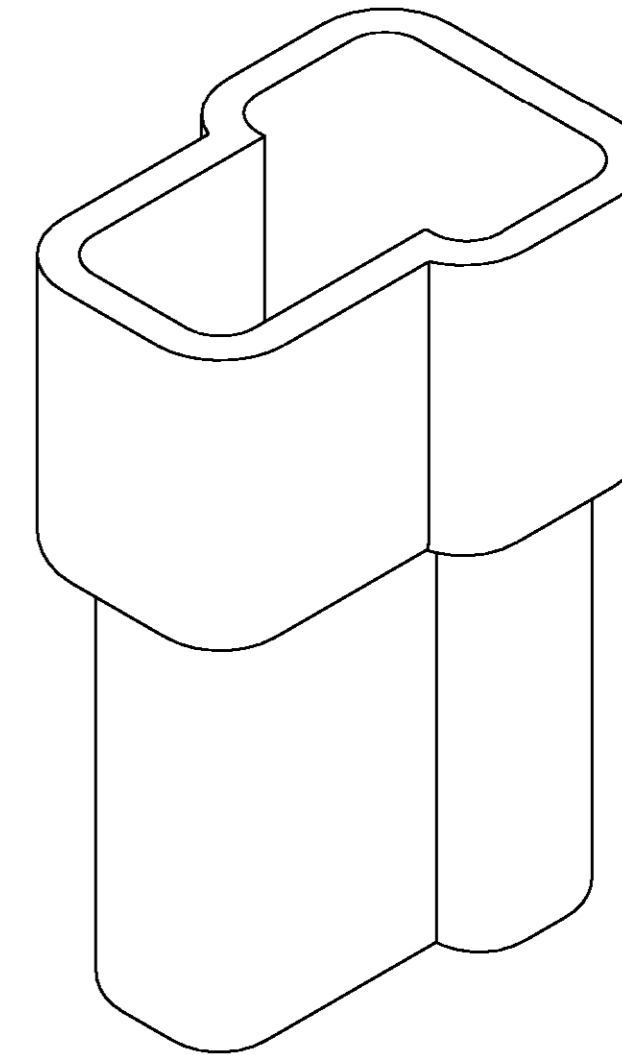
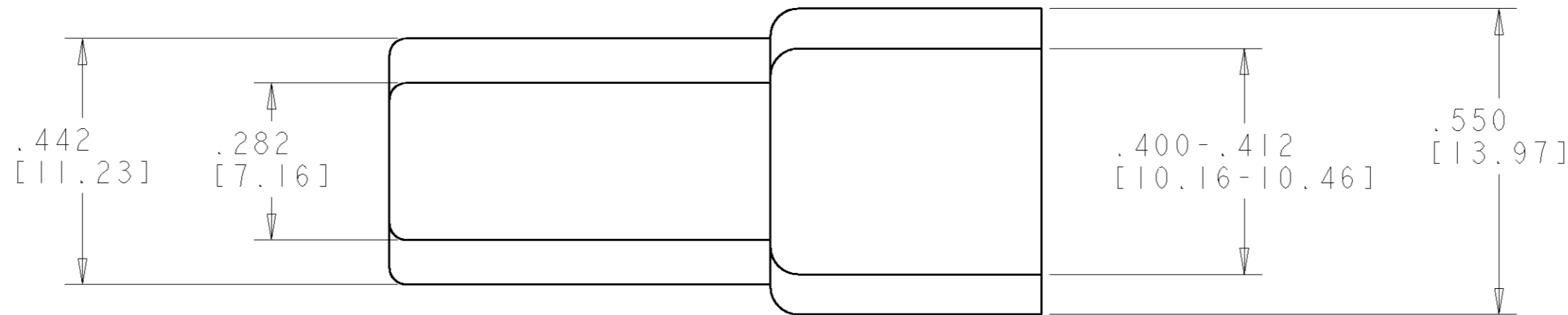
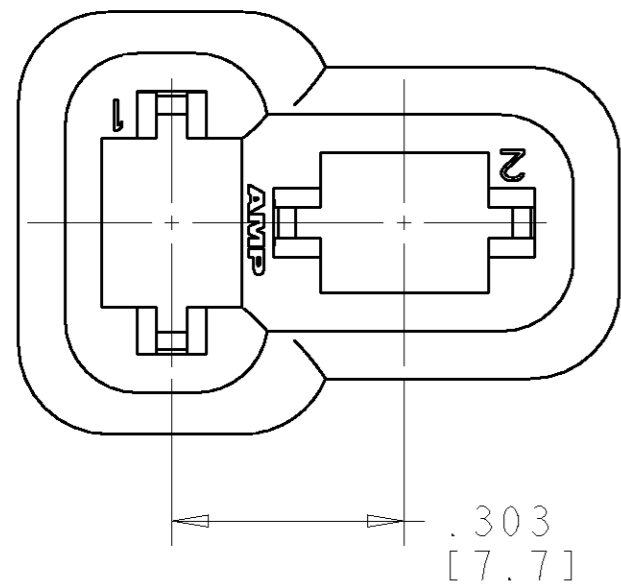
Address: A1208, Overseas Decoration Building, #122 Zhenhua RD., Futian, Shenzhen, China



THIS DRAWING IS UNPUBLISHED. RELEASED FOR PUBLICATION 20
 © COPYRIGHT 20 BY TYCO ELECTRONICS CORPORATION. ALL RIGHTS RESERVED.

LOC AF DIST 50

REVISIONS					
P	LTR	DESCRIPTION	DATE	DWN	APVD
P		REV PER 0G3A-0359-02	11JUL2002	RCF	ND
R		REV PER 0G3A-0366-02	24JUL2002	RCF	ND
S		REV PER 0G3A-0656-02	29OCT2002	RCF	ND
S1		REVISED PER ECO-10-000445	09JAN10	KK	AEG



- 1. MATES TO 480115
- 2. PREPRODUCTION - FASR REQUIRED
- 3. OBSOLETE PARTS: OBSOLETE CIS STREAMLINING PER D.RENAUD/D.SINISI

3 OBSOLETE SUPERCEDED BY 480116-3	2	BLACK	NYLON	480116-3
		NATURAL	NYLON	480116-2
		BLACK	ABS	480116-1
		COLOR	MATERIAL	PART NUMBER

THIS DRAWING IS A CONTROLLED DOCUMENT FOR TYCO ELECTRONICS CORPORATION. IT IS SUBJECT TO CHANGE AND THE CONTROLLING ENGINEERING ORGANIZATION SHOULD BE CONTACTED FOR THE LATEST REVISION.		DWN R FLAIG 11JUL2002	Tyco Electronics Harrisburg, PA 17105-3608	
DIMENSIONS: INCHES [mm]		CHK N DEIBERT 11JUL2002	NAME 2 CIRCUIT, "T", FASTIN-FASTON, TAB HOUSING, .250 SERIES	
		APVD N DEIBERT 11JUL2002		
TOLERANCES UNLESS OTHERWISE SPECIFIED:		PRODUCT SPEC -	SIZE A2	CAGE CODE 00779
0 PLC ± 1 PLC ± 2 PLC ± 3 PLC ±.005(0.13) 4 PLC ± ANGLES ±° FINISH -		APPLICATION SPEC -	DRAWING NO 480116	RESTRICTED TO -
MATERIAL -		WEIGHT -	SCALE 4:1 SHEET OF 1 REV S1	
		CUSTOMER DRAWING		