



Chipsmall Limited consists of a professional team with an average of over 10 year of expertise in the distribution of electronic components. Based in Hongkong, we have already established firm and mutual-benefit business relationships with customers from,Europe,America and south Asia,supplying obsolete and hard-to-find components to meet their specific needs.

With the principle of “Quality Parts,Customers Priority,Honest Operation,and Considerate Service”,our business mainly focus on the distribution of electronic components. Line cards we deal with include Microchip,ALPS,ROHM,Xilinx,Pulse,ON,Everlight and Freescale. Main products comprise IC,Modules,Potentiometer,IC Socket,Relay,Connector.Our parts cover such applications as commercial,industrial, and automotives areas.

We are looking forward to setting up business relationship with you and hope to provide you with the best service and solution. Let us make a better world for our industry!



Contact us

Tel: +86-755-8981 8866 Fax: +86-755-8427 6832

Email & Skype: info@chipsmall.com Web: www.chipsmall.com

Address: A1208, Overseas Decoration Building, #122 Zhenhua RD., Futian, Shenzhen, China

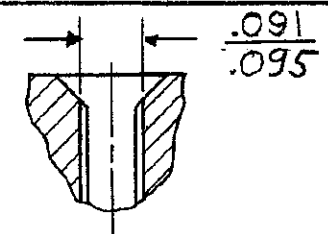
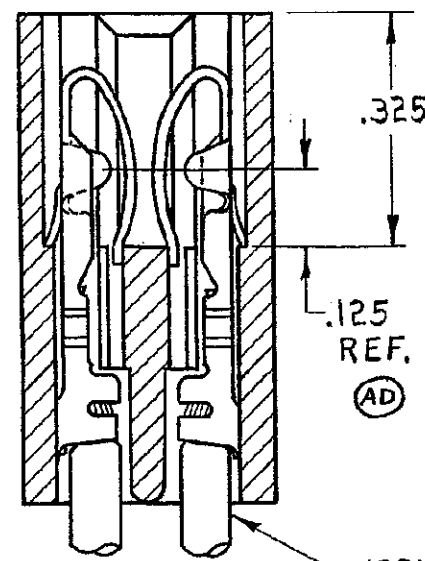
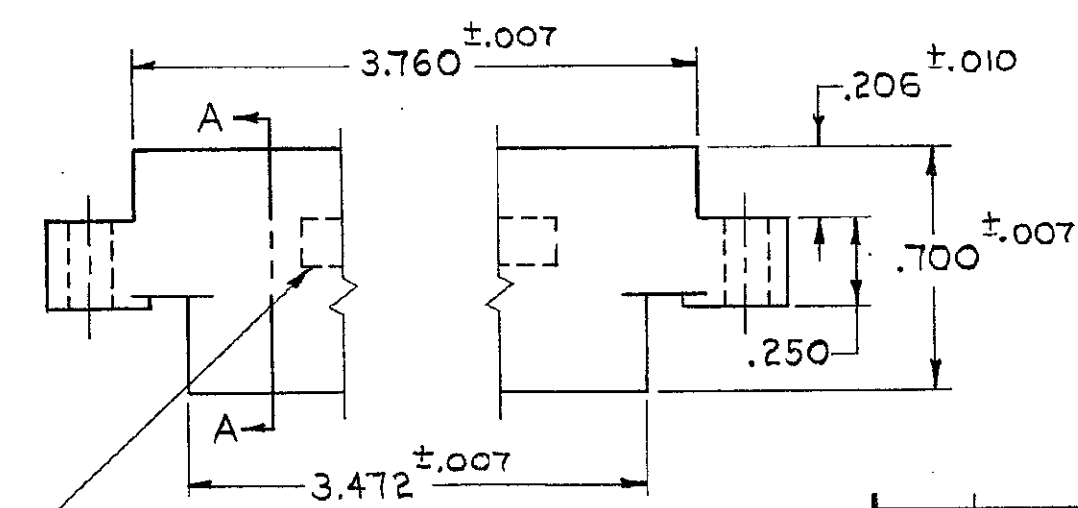
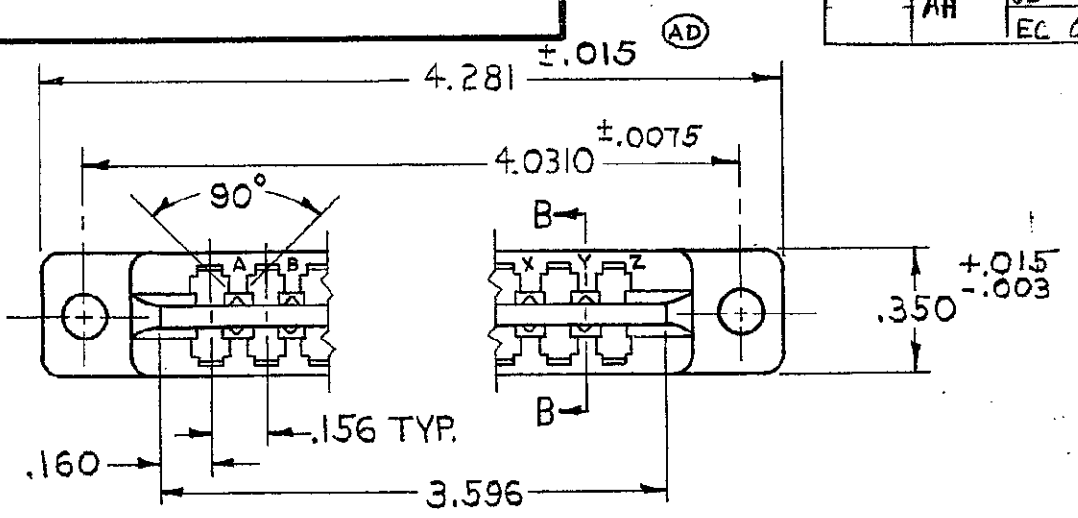


NUMBER 480142

© 1962 BY AMP INCORPORATED. ALL RIGHTS RESERVED. AMP PRODUCTS COVERED BY PATENTS AND/OR PATENTS PENDING.

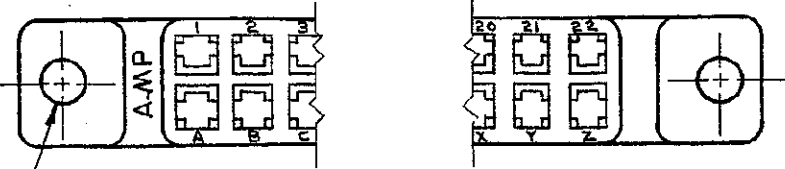
AF	REV PER AD 1735	722-87
AG	OBS -6 PER AD 1831	16 3-22-88
AH	OBS 582358-2 R-3 PER EC 0320-354-97	05 JAN 98

SYMBOL		DESCRIPTION	DATE	APPROVAL
AA	-	REDRAWN WITHOUT CHANGE V-462	9-10-4	CO.
AB	-	REVISED. ADDED -6 (SHT. 3) W-753	10-6-5	m.S./D.H.
AC	-	REVISED SHEET 1 Y-212	2-23-6	m.S./D.H.
AD	-	REVISED 3 SHEETS 1600	10-27-67	m.S. D.H.
AD1	-	ADD -7 SHT. 2 (WAS 5112-195-1) 2519	5-19-70	m.S. D.H.
AD2	-	ADD -8 SHT. 2 (WAS 5112-250-1) 2585	7-17-70	m.S. D.H.
AD3	-	ADDED -9 SHT. 3 (WAS 5112-176-1 CUST) 2946	3-25-71	m.S. D.H.
AE	-	REVISED 7490	8-4-81	
AE1	-	OBSOLETE -7, -8 Per ECN AD1087	2-7-80	



NOTE: .070-.055 BOARD THICKNESS.

AMP PART NO. & DATE CODE THIS AREA.



HOLE DIA. SEE TABLE.

QTY REQD	PART OR IDENTIFYING NO.	NOMENCLATURE OR DESCRIPTION	PART NO.	HOLE DIA.
			480142-6	SEE SHEET 3
			582358-2	.150 DIA. 2 HOLES
			480142-2	.125 DIA. 2 HOLES

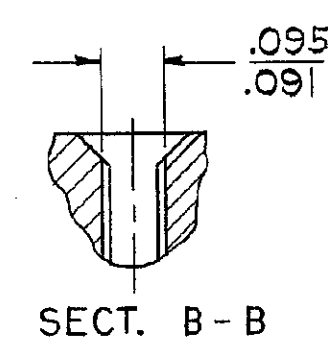
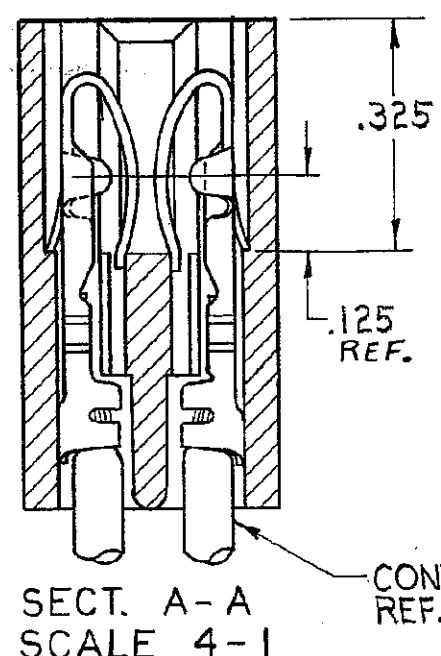
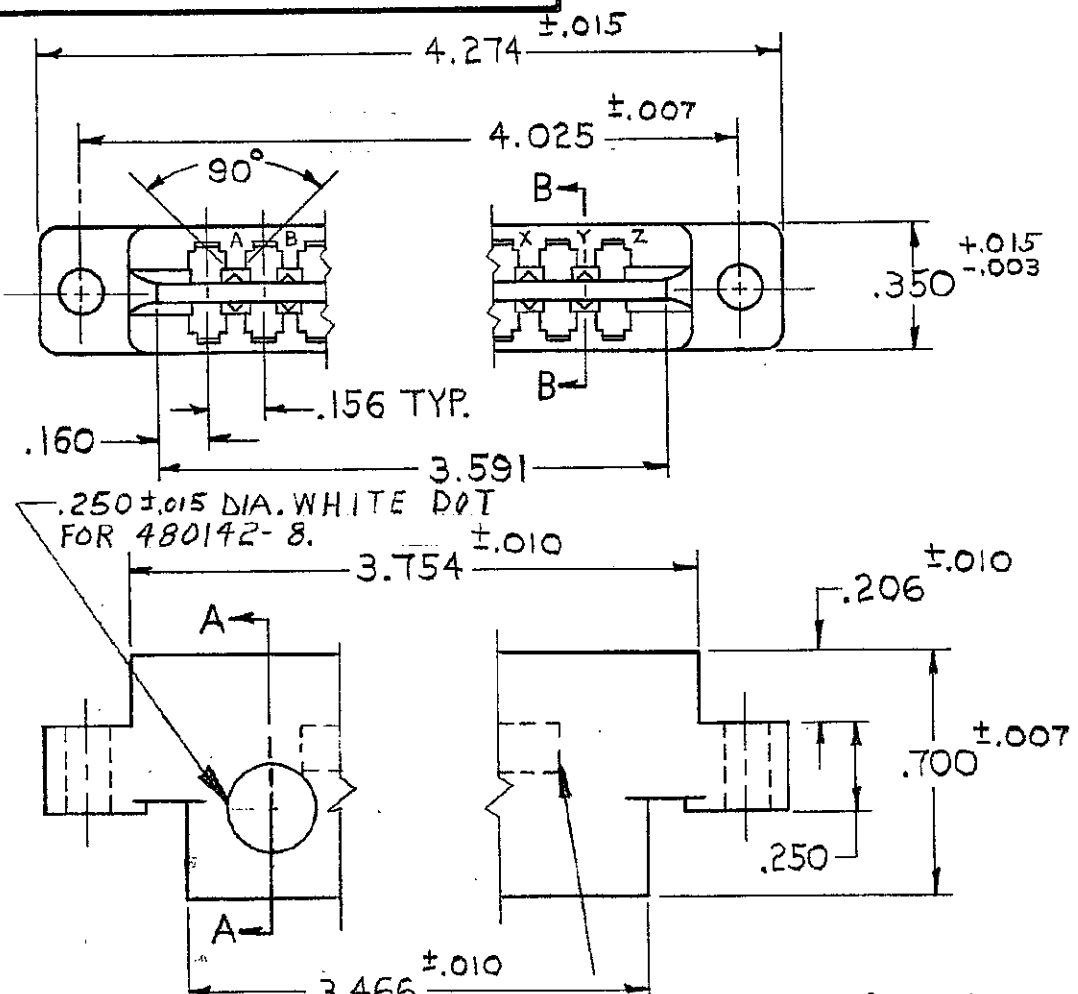
UNLESS OTHERWISE SPECIFIED DIMENSIONS ARE IN INCHES TOLERANCES ON		SIGNATURE		DATE		AMP INCORPORATED HARRISBURG, PENNSYLVANIA	
FRACTIONS ± #/	DECIMALS ± .005	ANGLES ± 0° 30'	DR C. Ostergis	9/10/64	AMP TRADEMARK		
MATERIAL DIALYL PHTHALATE GLASS FILLED PER MIL-M-14F TYPE SDG-F			CHK J. Mella	9/19/64	NAME 22 DUAL AMP LEAF HOUSING		
HEAT TREAT			APPD R. [Signature]	10/23/64	CODE IDENT NO 00779		
FINISH			DSGN APPD R. [Signature]	10/23/64	SIZE B NUMBER 480142		
OTHER APPD					SCALE 2-1 WT CALC ACTUAL SHEET 1 OF 3		

AMP INFO
LOC PR DIST
FT AM 22

NUMBER 480142

©1962 BY AMP INCORPORATED. ALL RIGHTS RESERVED. AMP PRODUCTS COVERED BY PATENTS AND/OR PATENTS PENDING.

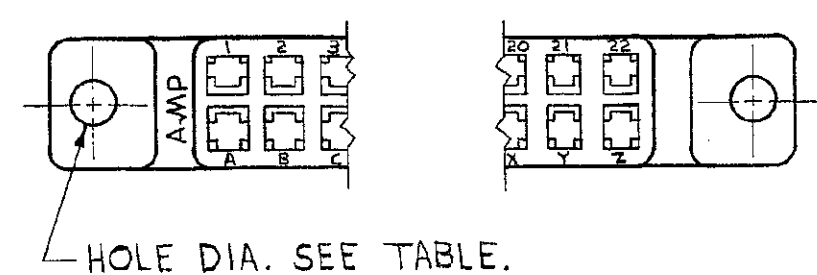
REVISIONS				
SYM	ZONE	DESCRIPTION	DATE	APPROVAL
-	-	SEE SHEET 1		



NOTE: .070-.055 BOARD THICKNESS.

OBsolete	Part No.	Description
	480142-8	STAMP .250 ±.015 DIA. WHITE DOT ON LOWER LEFT HAND CORNER EITHER SIDE OF HOUSING .125 DIA. HOLES.
	480142-7	.125 DIA. HOLES ESPL. CUST. MARKING 113P328
OBsolete	582358-3	.150 DIA. 2 HOLES
	480142-3	.125 DIA. 2 HOLES

AMP PART NO. & DATE CODE THIS AREA.



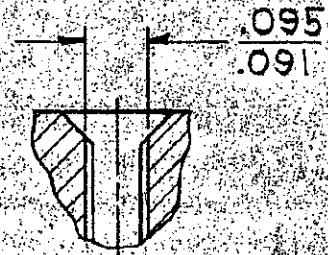
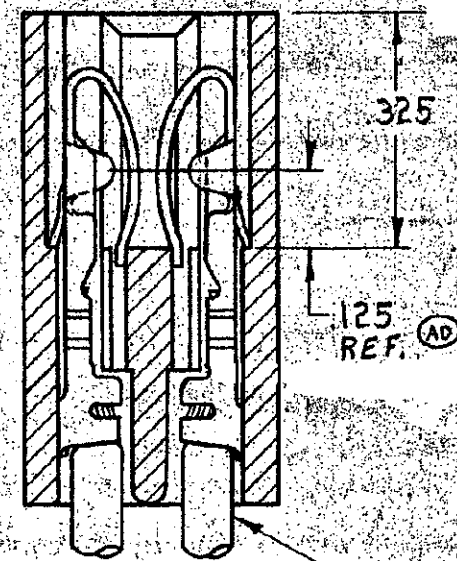
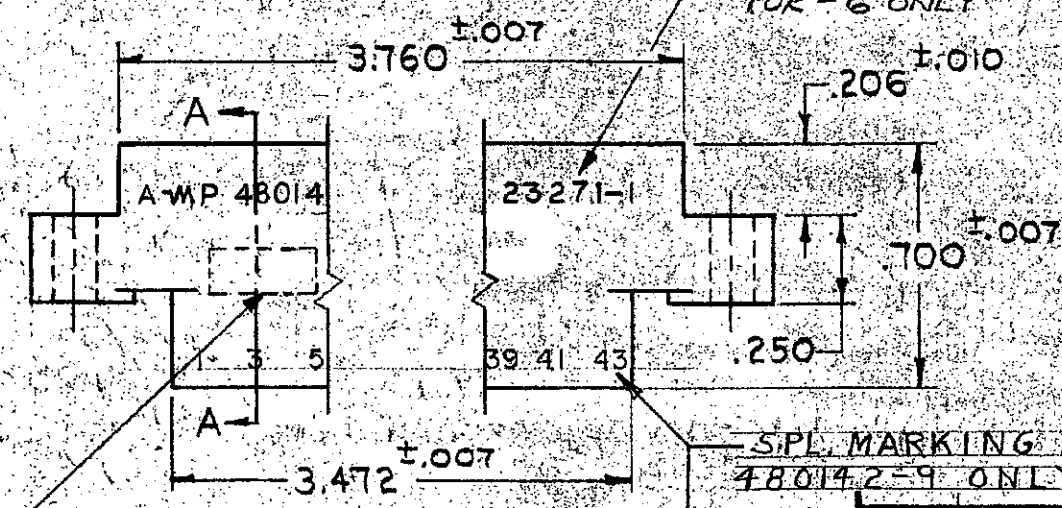
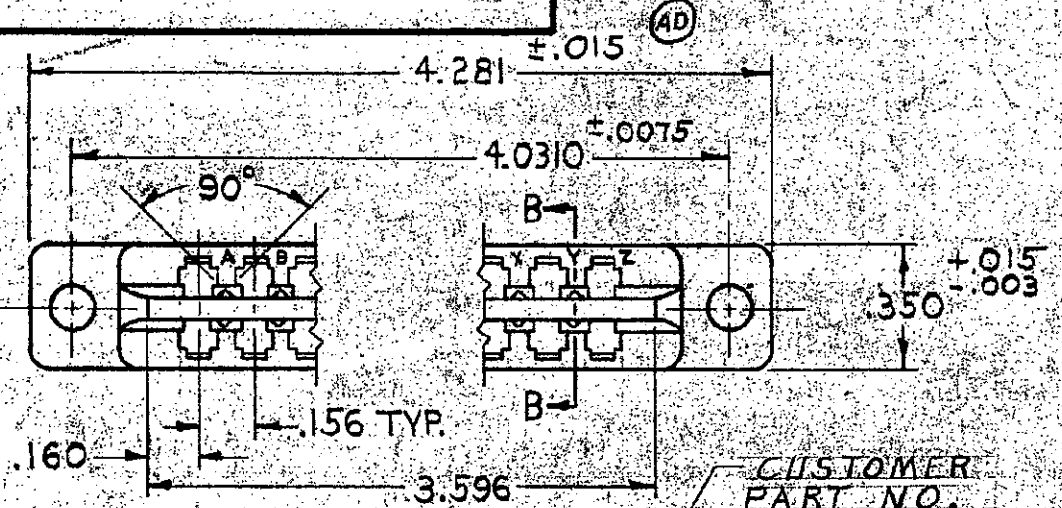
QTY REQD	PART OR IDENTIFYING NO.	NOMENCLATURE OR DESCRIPTION	PART NO.	HOLE DIA.
LIST OF MATERIALS OR PARTS LIST				
UNLESS OTHERWISE SPECIFIED DIMENSIONS ARE IN INCHES TOLERANCES ON		SIGNATURE		
FRACTIONS ± #	DECIMALS ± .005	ANGLES ± 0° 30'	DATE 9/11/64	AMP INCORPORATED HARRISBURG, PENNSYLVANIA
MATERIAL PHENOLIC — COLOR BLACK			DATE 7/18/64	
HEAT TREAT #			DATE 10/23/64	22 DUAL AMP LEAF HOUSING
FINISH #			DATE 11/23/64	
OTHER APPD			CODE IDENT NO 00779	SIZE B
AMP INFO			NUMBER 480142	SCALE 2-1
LOC FT	DIST 22		WT	CALC
			ACTUAL	SHEET 2 OF 3

CUSTOMER DRAWING

NUMBER 480142

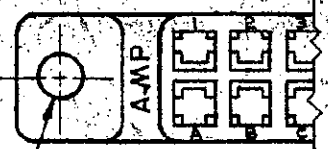
© 1962 BY AMP INCORPORATED. ALL RIGHTS RESERVED. AMP PRODUCTS COVERED BY PATENTS AND/OR PATENTS PENDING.

REVISIONS				
SYM	ZONE	DESCRIPTION	DATE	APPROVAL
SEE SHEET 1				

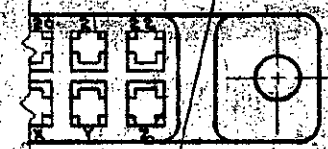
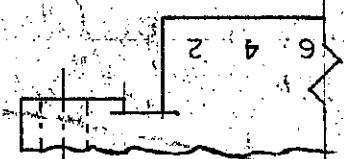


NOTE: .070-.055 BOARD THICKNESS.

DATE CODE THIS AREA.



HOLE DIA. SEE TABLE.



AMP INFO
LOC PRINT DIST
FT 22

CUSTOMER PART NO. FOR - 6 ONLY

SPL MARKING FOR 480142-9 ONLY

CONTACT REF. ONLY

OBsolete	480142-9	.125 DIA. 2 HOLES
OBsolete	480142-6	.125 DIA. 2 HOLES

QTY REQD	PART OR IDENTIFYING NO.	NOMENCLATURE OR DESCRIPTION	PART NO.	HOLE DIA.
LIST OF MATERIALS OR PARTS LIST				
UNLESS OTHERWISE SPECIFIED DIMENSIONS ARE IN INCHES FRACTIONS DECIMALS ANGLES = 1/16 ±.005 = 0° 30'		SIGNATURE	DATE	<p>AMP INCORPORATED HARRISBURG, PENNSYLVANIA</p> <p>22 DUAL AMP LEAF HOUSING</p>
MATERIAL DIALYL PHTHALATE GLASS FILLED PER MIL-M-14F TYPE SDG-F		DP: <i>M. Smith</i>	10-5-5	
HEAT TREAT: #		CHK: <i>S. Heide</i>	10/7/65	
FINISH: #		APPD: <i>R. Shuman</i>	10/9/65	
		DSGN APPD: <i>R. Holliday</i>	10/1/65	
CODE IDENT NO.			SIZE	NUMBER
00779			B	480142
SCALE 2-1			WT	CALC ACTUAL SHEET 3 OF 3