



Chipsmall Limited consists of a professional team with an average of over 10 year of expertise in the distribution of electronic components. Based in Hongkong, we have already established firm and mutual-benefit business relationships with customers from,Europe,America and south Asia,supplying obsolete and hard-to-find components to meet their specific needs.

With the principle of "Quality Parts,Customers Priority,Honest Operation,and Considerate Service",our business mainly focus on the distribution of electronic components. Line cards we deal with include Microchip,ALPS,ROHM,Xilinx,Pulse,ON,Everlight and Freescale. Main products comprise IC,Modules,Potentiometer,IC Socket,Relay,Connector.Our parts cover such applications as commercial,industrial, and automotives areas.

We are looking forward to setting up business relationship with you and hope to provide you with the best service and solution. Let us make a better world for our industry!



## Contact us

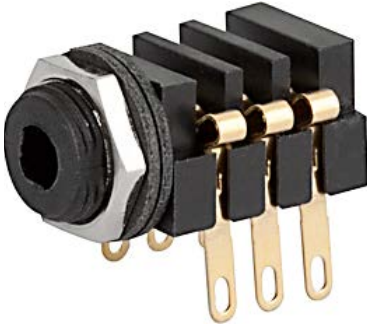
Tel: +86-755-8981 8866 Fax: +86-755-8427 6832

Email & Skype: info@chipsmall.com Web: www.chipsmall.com

Address: A1208, Overseas Decoration Building, #122 Zhenhua RD., Futian, Shenzhen, China



4802, Socket, solder terminal, insulated, 3.5 mm, 3-pole, straight, UK-Connector



### Description

- Solder terminal :  
Screw-on mounting , from rear-side
- Data and Signal transfer
- Data and Signal Connectors 3-pole , insulated , straight
- Reinforced gold plating for increased insertions

### References

Alternative: Housing shielded [4802.2300](#)

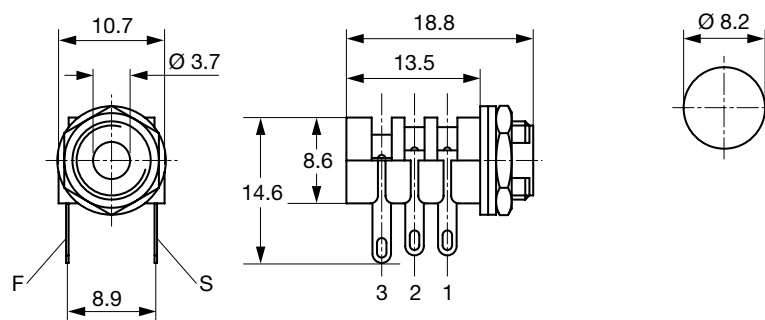
### Technical Data

Diameter	3.5 mm
Number of Poles	3-pole
Ratings DC	1 A / 12VDC
Ratings AC	1 A / 12VAC
Dielectric Strength	500VDC
Insulation Resistance	> 10000 MΩ @ 500VDC

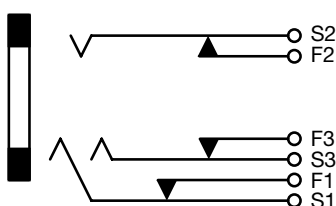
Allowable Operation Temperature	-20 °C to 70 °C
Terminal	solder terminal
Mounting	Screw-on mounting wall thickness max. 2.0mm
Housings	insulated
Style	straight
Lifetime	10000 Insertions

Detailed information on product approvals, code requirements, usage instructions and detailed test conditions can be looked up in [General Product Information](#)

### Dimensions



### Diagrams



## All Variants

Product group	Diameter [mm]	Number of Poles	Terminal	Order Number
Data and Signal Plug/ Sockets	3.5	3-pole	solder terminal	4802.2310

Availability for all products can be searched real-time:<http://www.schurter.com/en/Stock-Check/Stock-Check-SCHURTER>

**Packaging unit** 100 Pcs

## Mating Inlets/Plugs

### Category / Description

[Data and Signal Plug/Socket Overview complete](#)



4802, Plug, solder terminal, screened, 3.5 mm, 3-pole, straight, UK-Connector

4802.1300

4802, Plug, solder terminal, insulated, 3.5 mm, 3-pole, straight, UK-Connector

4802.1310

[Data and Signal Plug/Socket further types to 4802.2310](#)