



Chipsmall Limited consists of a professional team with an average of over 10 year of expertise in the distribution of electronic components. Based in Hongkong, we have already established firm and mutual-benefit business relationships with customers from,Europe,America and south Asia,supplying obsolete and hard-to-find components to meet their specific needs.

With the principle of “Quality Parts,Customers Priority,Honest Operation,and Considerate Service”,our business mainly focus on the distribution of electronic components. Line cards we deal with include Microchip,ALPS,ROHM,Xilinx,Pulse,ON,Everlight and Freescale. Main products comprise IC,Modules,Potentiometer,IC Socket,Relay,Connector.Our parts cover such applications as commercial,industrial, and automotives areas.

We are looking forward to setting up business relationship with you and hope to provide you with the best service and solution. Let us make a better world for our industry!



## Contact us

Tel: +86-755-8981 8866 Fax: +86-755-8427 6832

Email & Skype: info@chipsmall.com Web: www.chipsmall.com

Address: A1208, Overseas Decoration Building, #122 Zhenhua RD., Futian, Shenzhen, China



4803, Plug, solder terminal, insulated, 6.3 mm, 2-pole, angled, UK-Connector



### Description

- Solder terminal :  
for cable mounting
- Data and Signal transfer
- Data and Signal Connectors 2-pole , insulated , angled

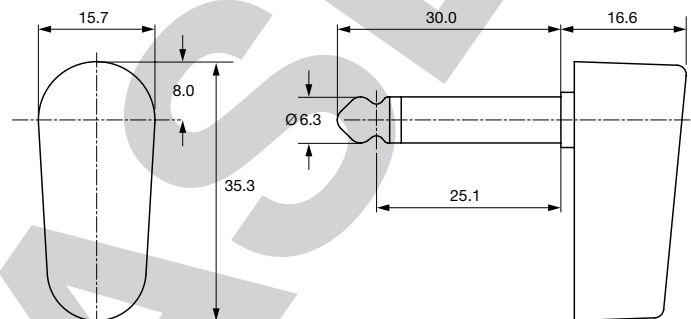
### References

Alternative: Housing shielded [4803.1200](#)  
Last order date: 30.06.2016

### Technical Data

Diameter	6.3 mm	Allowable Operation Temp.	-20 °C to 70 °C
Number of Poles	2-pole	Terminal	solder terminal
Ratings DC	2 A / 12 VDC	Housings	insulated
Ratings AC	2 A / 12 VAC	Style	angled
Dielectric Strength	1000VDC	Lifetime	10000 Insertions
Insulation Resistance	> 10000 MΩ @ 500VDC		

### Dimensions



### All Variants

Product group	Diameter [mm]	Number of Poles	Terminal	Order Number
Data and Signal Plug/ Sockets	6.3	2-pole	solder terminal	<a href="#">4803.1220</a>

Most Popular.

Availability for all products can be searched real-time: <http://www.schurter.com/Stock-Check/Stock-Check-SCHURTER>

**Packaging unit** 100 Pcs