



Chipsmall Limited consists of a professional team with an average of over 10 year of expertise in the distribution of electronic components. Based in Hongkong, we have already established firm and mutual-benefit business relationships with customers from,Europe,America and south Asia,supplying obsolete and hard-to-find components to meet their specific needs.

With the principle of “Quality Parts,Customers Priority,Honest Operation,and Considerate Service”,our business mainly focus on the distribution of electronic components. Line cards we deal with include Microchip,ALPS,ROHM,Xilinx,Pulse,ON,Everlight and Freescale. Main products comprise IC,Modules,Potentiometer,IC Socket,Relay,Connector.Our parts cover such applications as commercial,industrial, and automotives areas.

We are looking forward to setting up business relationship with you and hope to provide you with the best service and solution. Let us make a better world for our industry!



## Contact us

Tel: +86-755-8981 8866 Fax: +86-755-8427 6832

Email & Skype: info@chipsmall.com Web: www.chipsmall.com

Address: A1208, Overseas Decoration Building, #122 Zhenhua RD., Futian, Shenzhen, China



4803, Socket, PCB terminals, screened, 6.3 mm, 2-pole, straight, UK-Connector



### Description

- PCB Mounting :  
Screw-on mounting , from rear-side
- Data and Signal transfer
- Data and Signal Connectors 2-pole , shielded , straight
- Reinforced gold plating for increased insertions

### References

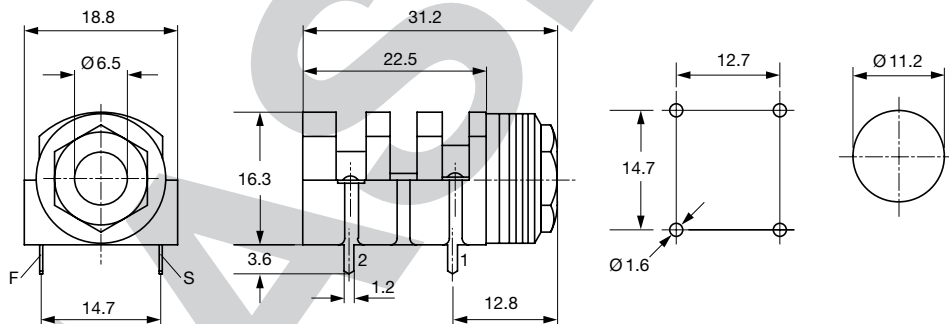
Alternative: Housing insulated [4803.2230](#)  
Last order date: 30.06.2016

### Technical Data

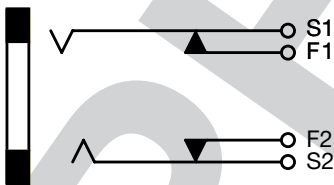
Diameter	6.3 mm
Number of Poles	2-pole
Ratings DC	2A / 12VDC
Ratings AC	2A / 12VAC
Dielectric Strength	1000VDC
Insulation Resistance	> 10000 MΩ @ 500VDC

Allowable Operation Temp.	-20°C to 70°C
Terminal	PCB terminals
Mounting	Screw-on mounting wall thickness max. 4.0mm
Housings	screened
Style	straight
Lifetime	10000 Insertions

### Dimensions



### Diagrams



**All Variants**

Product group	Diameter [mm]	Number of Poles	Terminal	Order Number
Data and Signal Plug/ Sockets	6.3	2-pole	PCB terminals	4803.2220

Availability for all products can be searched real-time:<http://www.schurter.com/Stock-Check/Stock-Check-SCHURTER>

<b>Packaging unit</b>	100 Pcs
-----------------------	---------

PHASE-OUT