



Chipsmall Limited consists of a professional team with an average of over 10 year of expertise in the distribution of electronic components. Based in Hongkong, we have already established firm and mutual-benefit business relationships with customers from,Europe,America and south Asia,supplying obsolete and hard-to-find components to meet their specific needs.

With the principle of "Quality Parts,Customers Priority,Honest Operation,and Considerate Service",our business mainly focus on the distribution of electronic components. Line cards we deal with include Microchip,ALPS,ROHM,Xilinx,Pulse,ON,Everlight and Freescale. Main products comprise IC,Modules,Potentiometer,IC Socket,Relay,Connector.Our parts cover such applications as commercial,industrial, and automotives areas.

We are looking forward to setting up business relationship with you and hope to provide you with the best service and solution. Let us make a better world for our industry!



Contact us

Tel: +86-755-8981 8866 Fax: +86-755-8427 6832

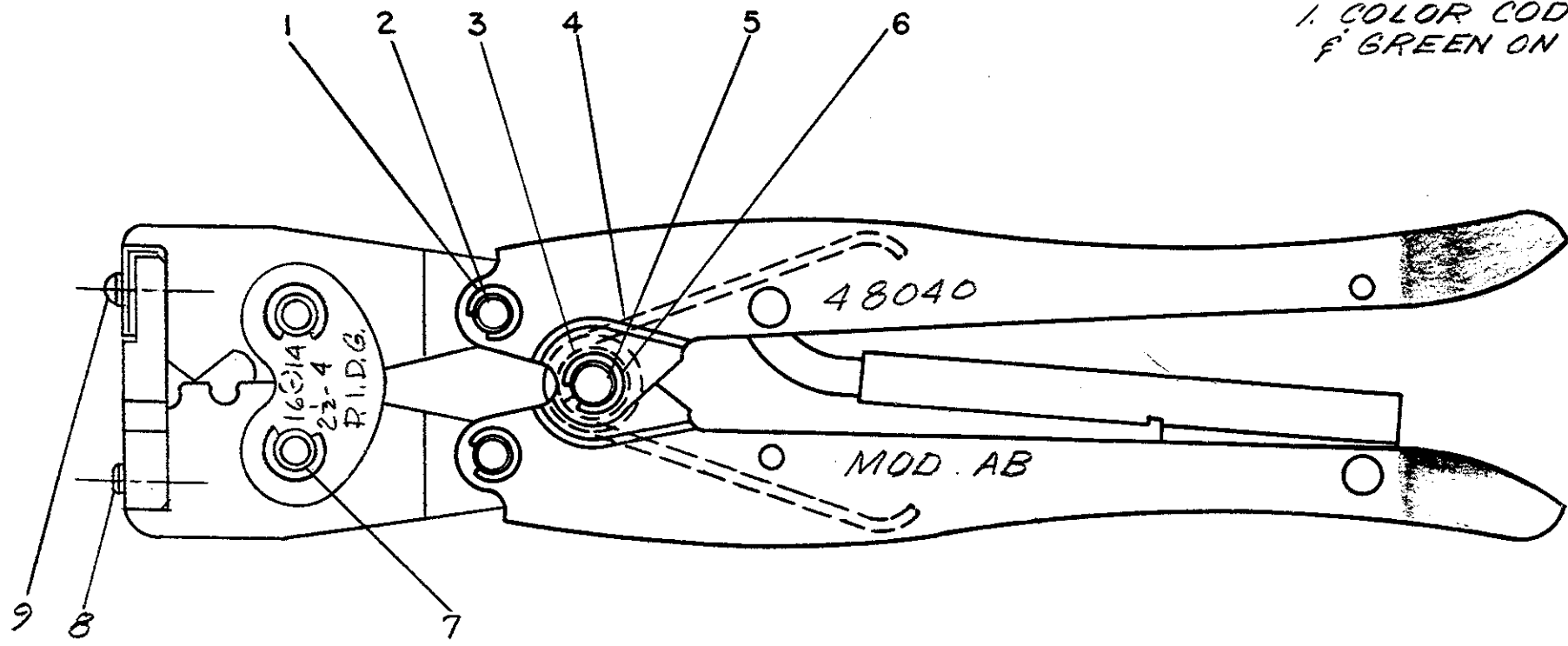
Email & Skype: info@chipsmall.com Web: www.chipsmall.com

Address: A1208, Overseas Decoration Building, #122 Zhenhua RD., Futian, Shenzhen, China



NOTE:

1. COLOR CODED BLUE ON ONE HANDLE
 & GREEN ON THE OTHER HANDLE

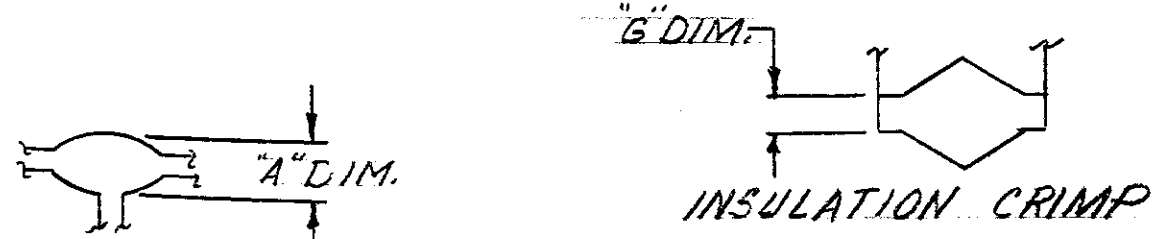


PLUG GAGE DIMENSIONS APPLY WHEN TOOL IS
 BOTTOMED BUT NOT UNDER PRESSURE.

FOR REPLACEMENT OF PARTS OTHER THAN
 LISTED, TOOL SHOULD BE RETURNED TO OUR
 FACTORY TO INSURE PROPER CERTI-CRIMP
 ADJUSTMENT.

SUPERSEDED BY I.S. 1570

1	4-21016-0	SCREW (8-32 UNC-2A X .625)	7
2	1-21002-8	SCREW (6-32 UNC-3A X .500)	8
2	300245	PIN-RETAINING	7
6	21045-6	RING - RETAINING	6
1	300449	PIN - RETAINING	5
1	39364	SPRING	4
1	39366	COLLAR	3
2	300432	PIN-RETAINING	2
4	21045-3	RING-RETAINING	1



ENLARGED VIEW OF CRIMP

"A" DIM.	
GO	NO GO
.1025	.1085

"B" DIM. AT POS. #1	
GO	NO GO
.038	.062

NO.	DESCRIPTION	QTY.	REVISION	DATE
1	48040			
2				
3				
4				
5				
6				
7				
8				
9				

DWG SIZE	NUMBER	NAME	REMARKS
©1969 BY AMP INCORPORATED. ALL RIGHTS RESERVED. AMP PRODUCTS COVERED BY PATENTS AND/OR PATENTS PENDING		CUSTOMER COPY REFERENCE	
DR <i>P. J. Smith</i> 11-25-69	MATERIAL AND FINISH		
CHK <i>P. J. Smith</i> 12-5-69	WIRE RANGE - INSULATION 16-19		
DE	TOLERANCE EXCEPT AS NOTED		CLASS FLAB TYPE PPE INSULATED DWN. - SEIF
APP <i>P. J. Smith</i> 12-5-69	LOC	SCALE	NO 48040 NAME HAND TOOL ASSEMBLY

DIMENSIONS IN INCHES DO NOT SCALE PRINT.
 PRINT DATE: 12-5-69