

Chipsmall Limited consists of a professional team with an average of over 10 year of expertise in the distribution of electronic components. Based in Hongkong, we have already established firm and mutual-benefit business relationships with customers from,Europe,America and south Asia,supplying obsolete and hard-to-find components to meet their specific needs.

With the principle of “Quality Parts,Customers Priority,Honest Operation,and Considerate Service”,our business mainly focus on the distribution of electronic components. Line cards we deal with include Microchip,ALPS,ROHM,Xilinx,Pulse,ON,Everlight and Freescale. Main products comprise IC,Modules,Potentiometer,IC Socket,Relay,Connector.Our parts cover such applications as commercial,industrial, and automotives areas.

We are looking forward to setting up business relationship with you and hope to provide you with the best service and solution. Let us make a better world for our industry!



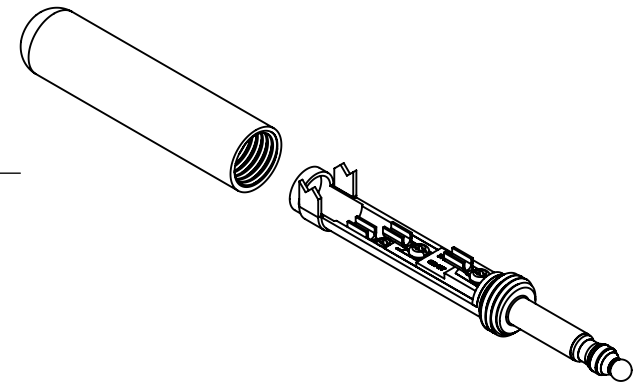
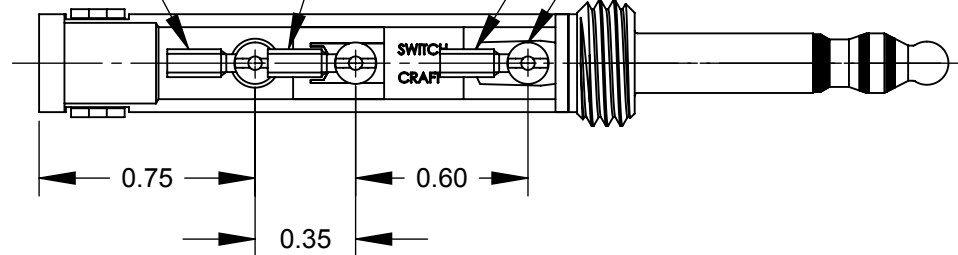
## Contact us

Tel: +86-755-8981 8866 Fax: +86-755-8427 6832

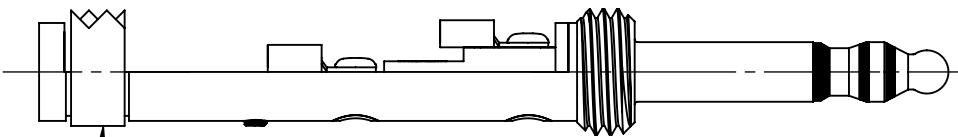
Email & Skype: [info@chipsmall.com](mailto:info@chipsmall.com) Web: [www.chipsmall.com](http://www.chipsmall.com)

Address: A1208, Overseas Decoration Building, #122 Zhenhua RD., Futian, Shenzhen, China

SLEEVE TERMINAL SEE NOTE 1  
 RING TERMINAL SEE NOTE 1  
 TIP TERMINAL SEE NOTE 1  
 SCREWS (3) SEE NOTE 1

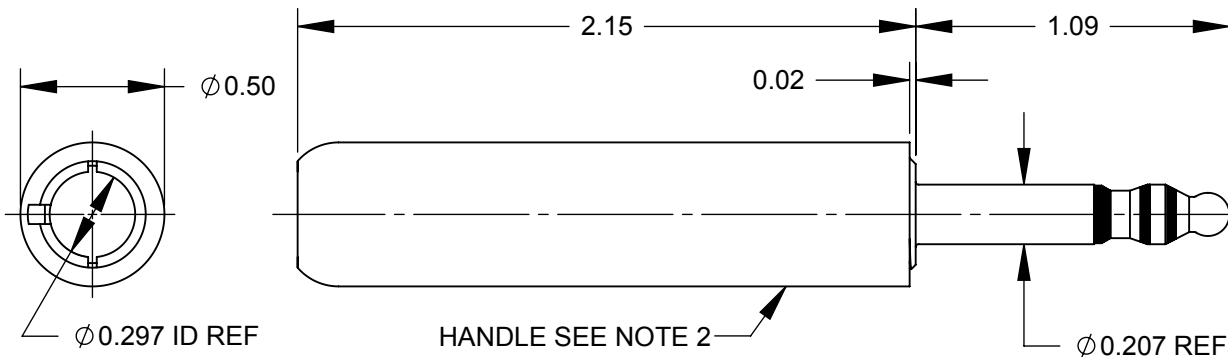


U CLAMP SEE NOTE 1



NOTES

1. TERMINALS, SCREWS & U CLAMP ARE SHIPPED UNASSEMBLED AS K171X HARDWARE KIT.
2. HANDLE IS SHIPPED UNASSEMBLED.
3. MATERIALS:  
 PLUG - BRASS  
 U CLAMP - STEEL, TIN PLATED  
 TERMINALS - BRASS, TIN PLATED  
 SCREWS - BRASS  
 HANDLE & INSULATION - THERMOPLASTIC
4. THIS PRODUCT IS RoHS COMPLIANT.



**CUSTOMER DRAWING**

|           |            |         |     |      |  |         |             |              |                     |
|-----------|------------|---------|-----|------|--|---------|-------------|--------------|---------------------|
|           |            |         |     |      | THIS DRAWING DESCRIBES A DESIGN CONSIDERED PROPRIETARY IN NATURE, DEVELOPED AND MANUFACTURED BY SWITCHCRAFT INC. AND IS RELEASED ON A CONFIDENTIAL BASIS FOR IDENTIFICATION PURPOSES ONLY. |         |             |              |                     |
|           |            |         |     |      | SIZE *   | WIDTH * | MULT *      | LBS/M *      | TEMPER *            |
|           |            |         |     |      | FINISH *   |         |             | MATERIAL *   |                     |
|           |            |         |     |      | SPEC No. *   |         |             | SPEC No. *   |                     |
|           |            |         |     |      | FIRST USED ON *  |         | SCALE 1.5:1 |              |                     |
| A         | 26369      | 3-30-09 | JEB | TJK  | DATE DRAWN   | BY      | CHKD        | APVD         | <b>Switchcraft®</b> |
| REV       | ECO NUMBER | DATE    | BY  | APVD | 3-19-09  | SRC     | SRC         | TJK          |                     |
| REVISIONS |            |         |     |      | DO NOT SCALE DRAWING   |         |             |              |                     |
|           |            |         |     |      | NAME   |         |             | PART No.     |                     |
|           |            |         |     |      | PLUG ASSEMBLY, RoHS  |         |             | 480X         |                     |
|           |            |         |     |      |  |         |             | REV <b>A</b> |                     |

