

Chipsmall Limited consists of a professional team with an average of over 10 year of expertise in the distribution of electronic components. Based in Hongkong, we have already established firm and mutual-benefit business relationships with customers from,Europe,America and south Asia,supplying obsolete and hard-to-find components to meet their specific needs.

With the principle of “Quality Parts,Customers Priority,Honest Operation,and Considerate Service”,our business mainly focus on the distribution of electronic components. Line cards we deal with include Microchip,ALPS,ROHM,Xilinx,Pulse,ON,Everlight and Freescale. Main products comprise IC,Modules,Potentiometer,IC Socket,Relay,Connector.Our parts cover such applications as commercial,industrial, and automotives areas.

We are looking forward to setting up business relationship with you and hope to provide you with the best service and solution. Let us make a better world for our industry!



## Contact us

Tel: +86-755-8981 8866 Fax: +86-755-8427 6832

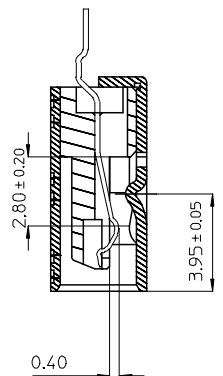
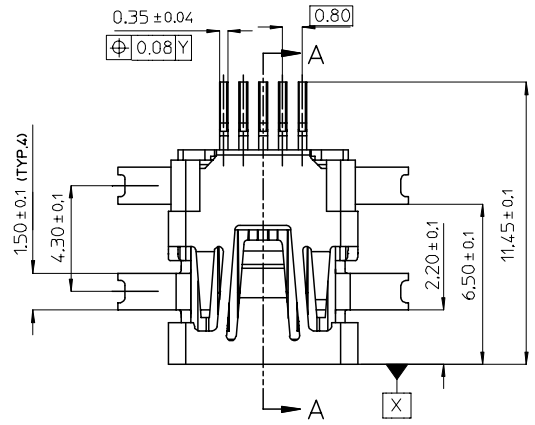
Email & Skype: [info@chipsmall.com](mailto:info@chipsmall.com) Web: [www.chipsmall.com](http://www.chipsmall.com)

Address: A1208, Overseas Decoration Building, #122 Zhenhua RD., Futian, Shenzhen, China

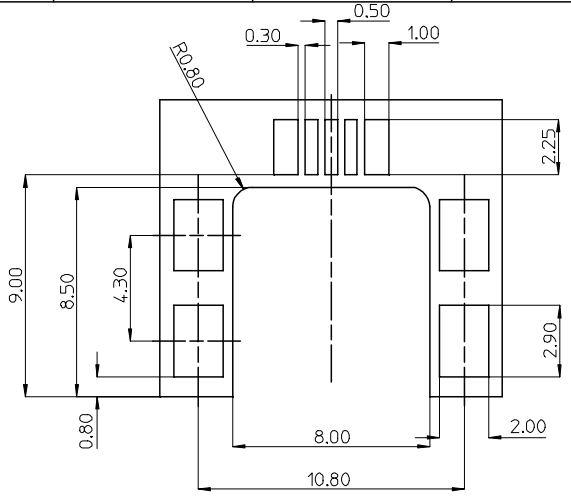
10 9 8 7 6 5 4 3 2 1

F  
E  
D  
C  
B  
A

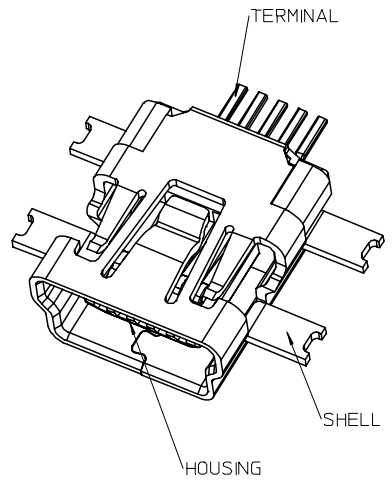
F  
E  
D  
C  
B  
A



SECTION A-A

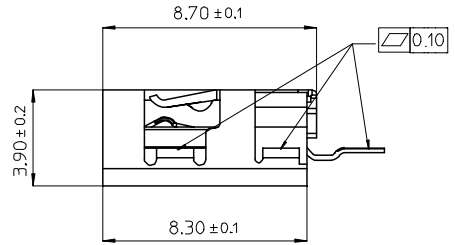
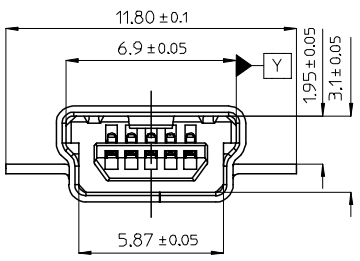


RECOMMENDED PCB LAYOUT  
TOLERANCE: ± 0.05MM



NOTE:

1. MATERIAL:  
HOUSING : LIQUID CRYSTAL POLYMER(LCP),  
GLASS FIBER FILLED, UL94V-0.COLOUR:BLACK.  
TERMINAL : PHOSPHOR BRONZE.THICKNESS=0.2±0.05MM.  
SHIELD : STAINLESS STEEL.THICKNESS=0.4MM.
2. PLATING:  
TERMINAL:  
CONTACT AREA: GOLD 0.76 MICROMETER MINIMUM.  
SOLDER TAIL AREA: PURE MATTE TIN 3.8 MICROMETER MINIMUM.  
UNDER PLATING:F-NICKEL.  
SHIELD:  
PURE MATTE TIN 3.8 MICROMETER MINIMUM.  
UNDER PLATING:NICKEL.
3. TAIL & NAIL COPLANARITY 0.1 mm MAXIMUM.
4. PRODUCT SPECIFICATION REFER TO PS-47153-001
5. PACKAGING REFER TO PK-48242-001
6. TEST SUMMARY REFER TO TS-48242-001
7. LEAD-FREE AND ROHS COMPLIANCE.



RELEASED EC NO: SHZ006-0297 DRW: EKA001 CHKD: APPR: WWSCHANG	2006/01/17 2006/01/17 2006/01/18	DESCRIPTION A	QUALITY SYMBOLS ▽=0 ▽=0	GENERAL TOLERANCES (UNLESS SPECIFIED)		DIMENSION STYLE MM ONLY		SCALE	DESIGN UNITS METRIC	THIRD ANGLE PROJECTION			
					mm	INCH	DRAWN BY LISHER	DATE 2005/11/29	TITLE				
				4 PLACES	± ---	± ---	CHECKED BY ERIC KAO	DATE 2005/11/29	MINI-B REC. CONN SMT SINK TYPE (LEAD-FREE VERSION)				
				3 PLACES	± ---	± ---	APPROVED BY WILSON	DATE 2005/11/29		MOLEX INCORPORATED			
2 PLACES	± 0.25	± ---	ANGULAR ± 3 °		MATERIAL NO. 48242-0001	DOCUMENT NO. SD-48242-001			SHEET NO. 1 OF 1				
1 PLACE	± 0.25	± ---	DRAFT WHERE APPLICABLE MUST REMAIN WITHIN DIMENSIONS		SIZE A3	THIS DRAWING CONTAINS INFORMATION THAT IS PROPRIETARY TO MOLEX INCORPORATED AND SHOULD NOT BE USED WITHOUT WRITTEN PERMISSION							

9 8 7 6 5 4 3 2 1