



Chipsmall Limited consists of a professional team with an average of over 10 year of expertise in the distribution of electronic components. Based in Hongkong, we have already established firm and mutual-benefit business relationships with customers from,Europe,America and south Asia,supplying obsolete and hard-to-find components to meet their specific needs.

With the principle of “Quality Parts,Customers Priority,Honest Operation,and Considerate Service”,our business mainly focus on the distribution of electronic components. Line cards we deal with include Microchip,ALPS,ROHM,Xilinx,Pulse,ON,Everlight and Freescale. Main products comprise IC,Modules,Potentiometer,IC Socket,Relay,Connector.Our parts cover such applications as commercial,industrial, and automotives areas.

We are looking forward to setting up business relationship with you and hope to provide you with the best service and solution. Let us make a better world for our industry!



Contact us

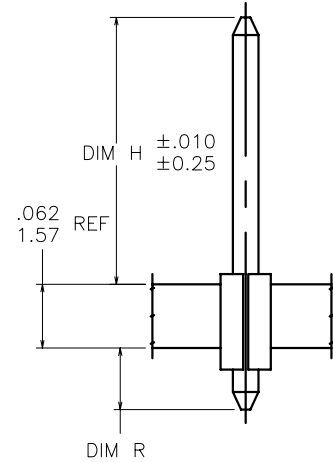
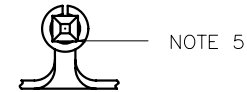
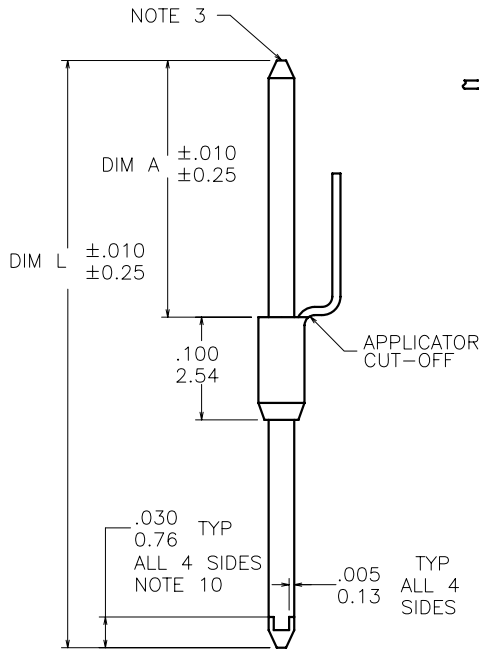
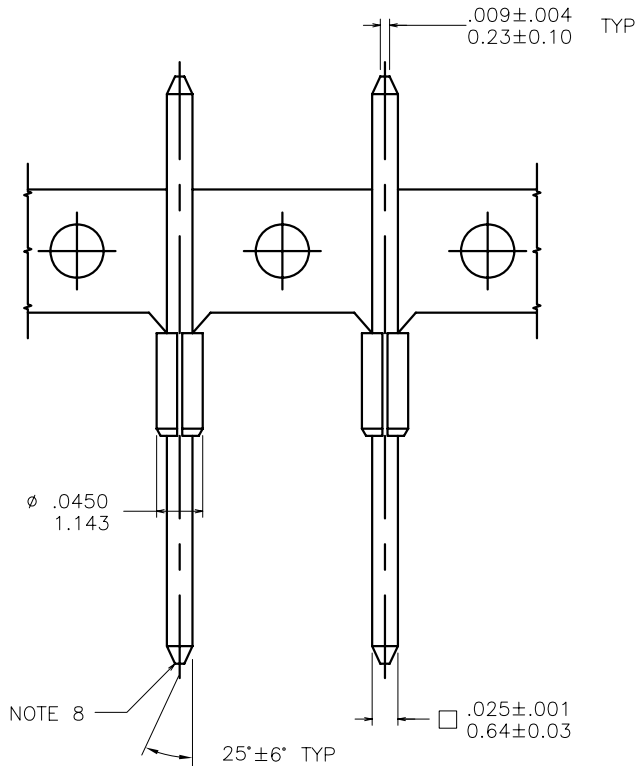
Tel: +86-755-8981 8866 Fax: +86-755-8427 6832

Email & Skype: info@chipsmall.com Web: www.chipsmall.com

Address: A1208, Overseas Decoration Building, #122 Zhenhua RD., Futian, Shenzhen, China



PRODUCT NUMBER
SEE TABLE



PLATING CODE	PLATING	UNDERPLATING
1	30μ" [0.76μ] Au	50μ" [1.27μ] Ni
2	UNASSIGNED	
3	50μ" [1.27μ] Au	50μ" [1.27μ] Ni
4	TIN LEAD OPTION	120μ" [3.05μ] 93/7 SnPb
	LF OPTION (NOTE 13)	100μ" [2.54μ] Sn
5	30μ" [0.76μ] GXT™	50μ" [1.27μ] Ni
6	15μ" [0.38μ] GXT™	50μ" [1.27μ] Ni
7	UNASSIGNED	
8	UNASSIGNED	
9	15μ" [0.38μ] Au	50μ" [1.27μ] Ni

DISCONTINUED

mat'l. code SEE NOTE 1				surface ASME Y14.5		tolerance ASME Y14.5		projection		product family	
ltr	ec'n no	dr	date	angles	fin	tol	fin	INCH/MM		PIN PRODUCTS	
J	V22754	JWB	1992-07-15			XX+01/XX+3		INCH/MM		title	
K	V60743	SAR	1996-06-19			XXX+005/XXX+13		scale 6:1		BERGPOST® .200"[5.08]cc WITHOUT RETENTION NICKS	
L	V71494	HTB	1997-10-24	0° ±2'		XXXX+0020/XXX+051				dwg no	
M	V92858	DLW	1999-08-30	dr	S. RAMP			FCI		sheet 1 of 6 size	
N	V05-0387	HTB	2005-04-26	ENGR	K.D. PATEL					48283 A4	
P	V06-0685	HTB	2006-07-26	chr	K.D. PATEL					type	
R	V08-0379	HTB	2008-09-02	app'd	K.D. PATEL					CUSTOMER Drawing	
sheet index	revision	R	R	R	R	R	R				
	sheet	1	2	3	4	5	6				

PRODUCT NUMBER NOTE 12	CONTACT AREA DIM A	DIM H	OVERALL LENGTH DIM L	DIM R	CORRESPONDING P/N W/RETENTION NICKS	PLATING CODE
48283-001	.308 / 7.82	.328 / 8.33	.450 / 11.43	.060 / 1.52	47310-000	OBSOLETE
48283-001LF	.308 / 7.82	.328 / 8.33	.450 / 11.43	.060 / 1.52	47310-000LF	4
48283-002	.558 / 14.17	.578 / 14.68	.700 / 17.78	.060 / 1.52	48124-000	OBSOLETE
48283-002LF	.558 / 14.17	.578 / 14.68	.700 / 17.78	.060 / 1.52	48124-000LF	4
48283-003	.698 / 17.73	.718 / 18.24	.840 / 21.34	.060 / 1.52	47312-000	OBSOLETE
48283-003LF	.698 / 17.73	.718 / 18.24	.840 / 21.34	.060 / 1.52	47312-000LF	4
48283-004	.748 / 19.00	.768 / 19.51	.890 / 22.61	.060 / 1.52	47313-000	OBSOLETE
48283-004LF	.748 / 19.00	.768 / 19.51	.890 / 22.61	.060 / 1.52	47313-000LF	4
48283-005	.558 / 14.17	.578 / 14.68	1.210 / 30.73	.570 / 14.48	47314-000	OBSOLETE
48283-005LF	.558 / 14.17	.578 / 14.68	1.210 / 30.73	.570 / 14.48	47314-000LF	4
48283-006	.558 / 14.17	.578 / 14.68	1.400 / 35.56	.760 / 19.30	47315-000	OBSOLETE
48283-006LF	.558 / 14.17	.578 / 14.68	1.400 / 35.56	.760 / 19.30	47315-000LF	4
48283-007	.698 / 17.73	.718 / 18.24	1.485 / 37.72	.705 / 17.91	47316-000	OBSOLETE
48283-007LF	.698 / 17.73	.718 / 18.24	1.485 / 37.72	.705 / 17.91	47316-000LF	4
48283-008	.228 / 5.79	.248 / 6.30	.370 / 9.40	.060 / 1.52	47317-000	OBSOLETE
48283-008LF	.228 / 5.79	.248 / 6.30	.370 / 9.40	.060 / 1.52	47317-000LF	4
48283-009	.558 / 14.17	.578 / 14.68	.880 / 22.35	.240 / 6.10	47318-000	OBSOLETE
48283-009LF	.558 / 14.17	.578 / 14.68	.880 / 22.35	.240 / 6.10	47318-000LF	4
48283-010	.583 / 14.81	.603 / 15.32	1.000 / 25.40	.335 / 8.51	47319-000	OBSOLETE
48283-010LF	.583 / 14.81	.603 / 15.32	1.000 / 25.40	.335 / 8.51	47319-000LF	4
48283-011	.308 / 7.82	.358 / 9.09	.450 / 11.43	.060 / 1.52	47330-000 & 48084-000	1
48283-011LF	.308 / 7.82	.358 / 9.09	.450 / 11.43	.060 / 1.52	47330-000LF & 48084-000LF	1
48283-012	.558 / 14.17	.578 / 14.68	.700 / 17.78	.060 / 1.52	48032-000	1
48283-012LF	.558 / 14.17	.578 / 14.68	.700 / 17.78	.060 / 1.52	48032-000LF	1
48283-013	.698 / 17.73	.718 / 18.24	.840 / 21.34	.060 / 1.52	47332-000	1
48283-013LF	.698 / 17.73	.718 / 18.24	.840 / 21.34	.060 / 1.52	47332-000LF	1
48283-014	SUPERCEDED BY 48283-059					
48283-015	.558 / 14.17	.578 / 14.68	1.210 / 30.73	.570 / 14.48	47334-000	1
48283-015LF	.558 / 14.17	.578 / 14.68	1.210 / 30.73	.570 / 14.48	47334-000LF	1
48283-016	.558 / 14.17	.578 / 14.68	1.400 / 35.56	.760 / 19.30	47335-000	1
48283-016LF	.558 / 14.17	.578 / 14.68	1.400 / 35.56	.760 / 19.30	47335-000LF	1
48283-017	.698 / 17.73	.718 / 18.24	1.485 / 37.72	.705 / 17.91	47336-000	1
48283-017LF	.698 / 17.73	.718 / 18.24	1.485 / 37.72	.705 / 17.91	47336-000LF	1
48283-018	.228 / 5.79	.248 / 6.30	.370 / 9.40	.060 / 1.52	47337-000	1
48283-018LF	.228 / 5.79	.248 / 6.30	.370 / 9.40	.060 / 1.52	47337-000LF	1

NOTES:

- ①. MATERIAL: POST 3/4 HARD BRONZE ASTM B-159-66,
FERRULE 1/2 HARD CARTRIDGE BRASS ASTM B-36-67.
2. CENTER LINE OF THE TERMINAL MUST BE IN THE TRUE POSITION IN RESPECT TO THE .015 [0.38] DIA AFTER INSERTION IN PC BOARD.
- ③. BURNISH MARKS ON PINS PERMITTED.
4. TWO SIDES OF LEAD-IN NOT PLATED, TYP. BOTH ENDS.
- ⑤. R .002 [0.05] MAX TYP ON WIRE WRAP PORTION OF POST.
6. POST TO FERRULE RETENTION 8 LBS MIN BEFORE STAKING.
7. POST IS BONDED TO FERRULE.
- ⑧. FLAT MAY GO TO .016 [0.41] MAX WHEN DIM "R" IS UNDER .20 [5.1].
9. .015 [0.38] MAX SOLDER PERMISSIBLE ABOVE AND BELOW THE FERRULE ON THE SURFACE OF THE PIN.
- ⑩. SOLDER SPOTS PERMISSIBLE .030 [0.76] FROM END BELOW FERRULE ONLY.
11. SEE PRODUCT SPECIFICATION BUS-12-040 FOR P.C. BOARD HOLE DIAMETER AND P.C. BOARD HOLE PLATING INFORMATION.
- ⑫. ADD AN LF SUFFIX TO PART NUMBERS FOR PRODUCT THAT MEETS EUROPEAN UNION DIRECTIVES AND OTHER COUNTRY REGULATIONS AS DESCRIBED IN GS-22-008. PLATING CODE 4 AVAILABLE AS LF (TIN) ONLY.
- ⑬. THIS PRODUCT HAS 100% TIN PLATING IN THE INTERFACE AND HAS NOT BEEN TESTED FOR WHISKER GROWTH IN ALL INTERCONNECT ENVIRONMENTS.

A

A

B

B

mat'l. code SEE NOTE 1		surface ASME Y14.5		tolerance ASME Y14.5		projection		product family PIN PRODUCTS	
ltr	ecr no	dr	date	tolerances unless otherwise specified				title	
R				angles	inches	mm	INCH/MM	BERGPOST® .200"[5.08]cc WITHOUT RETENTION NICKS	
				0°±2'	XXXX*0020/XXX*051	scale	1:1	dwg no	
				dr	S. RAMP	1989-07-11		sheet 2 of 6 size	
				engr	K.D. PATEL	1989-07-11		48283 A4	
				chr	K.D. PATEL	1989-07-11		type	
				appd	K.D. PATEL	1989-07-11		CUSTOMER Drawing	
sheet index	revision								



PRODUCT NUMBER NOTE 12	CONTACT AREA DIM A	DIM H	OVERALL LENGTH DIM L	DIM R	CORRESPONDING P/N W/RETENTION NICKS	PLATING CODE
48283-019	.558 / 14.17	.578 / 14.68	.880 / 22.35	.240 / 6.10	47338-000	1
48283-019LF	.558 / 14.17	.578 / 14.68	.880 / 22.35	.240 / 6.10	47338-000LF	1
48283-020	.380 / 9.65	.400 / 10.16	.522 / 13.26	.060 / 1.52	47340-000	3
48283-020LF	.380 / 9.65	.400 / 10.16	.522 / 13.26	.060 / 1.52	47340-000LF	3
48283-021	.520 / 13.21	.540 / 13.72	.662 / 16.81	.060 / 1.52	47341-000	3
48283-021LF	.520 / 13.21	.540 / 13.72	.662 / 16.81	.060 / 1.52	47341-000LF	3
48283-022	.380 / 9.65	.400 / 10.16	.772 / 19.61	.320 / 8.13	47342-000	3
48283-022LF	.380 / 9.65	.400 / 10.16	.772 / 19.61	.320 / 8.13	47342-000LF	3
48283-023	.520 / 13.21	.540 / 13.72	.912 / 23.16	.320 / 8.13	47343-000	3
48283-023LF	.520 / 13.21	.540 / 13.72	.912 / 23.16	.320 / 8.13	47343-000LF	3
48283-024	.380 / 9.65	.400 / 10.16	.522 / 13.26	.060 / 1.52	47344-000	OBSOLETE
48283-024LF	.380 / 9.65	.400 / 10.16	.522 / 13.26	.060 / 1.52	47344-000LF	4
48283-025	.520 / 13.21	.540 / 13.72	.662 / 16.81	.060 / 1.52	47345-000	OBSOLETE
48283-025LF	.520 / 13.21	.540 / 13.72	.662 / 16.81	.060 / 1.52	47345-000LF	4
48283-026	.380 / 9.65	.400 / 10.16	.772 / 19.61	.320 / 8.13	47346-000	OBSOLETE
48283-026LF	.380 / 9.65	.400 / 10.16	.772 / 19.61	.320 / 8.13	47346-000LF	4
48283-027	.520 / 13.21	.540 / 13.72	.912 / 23.16	.320 / 8.13	47347-000	OBSOLETE
48283-027LF	.520 / 13.21	.540 / 13.72	.912 / 23.16	.320 / 8.13	47347-000LF	3
48283-028	.228 / 5.79	.248 / 6.30	.550 / 13.97	.240 / 6.10	47349-000	3
48283-028LF	.228 / 5.79	.248 / 6.30	.550 / 13.97	.240 / 6.10	47349-000LF	3
48283-029	.323 / 8.20	.343 / 8.71	.463 / 11.76	.058 / 1.47	47350-000	3
48283-029LF	.323 / 8.20	.343 / 8.71	.463 / 11.76	.058 / 1.47	47350-000LF	3
48283-030	.573 / 14.55	.593 / 15.06	.715 / 18.16	.060 / 1.52	47351-000	3
48283-030LF	.573 / 14.55	.593 / 15.06	.715 / 18.16	.060 / 1.52	47351-000LF	3
48283-031	.698 / 17.73	.718 / 18.24	.840 / 21.34	.060 / 1.52	47352-000	3
48283-031LF	.698 / 17.73	.718 / 18.24	.840 / 21.34	.060 / 1.52	47352-000LF	3
48283-032	.763 / 19.38	.783 / 19.89	.905 / 22.99	.060 / 1.52	47353-000	3
48283-032LF	.763 / 19.38	.783 / 19.89	.905 / 22.99	.060 / 1.52	47353-000LF	3
48283-033	.573 / 14.55	.593 / 15.06	1.240 / 31.50	.585 / 14.86	47354-000	3
48283-033LF	.573 / 14.55	.593 / 15.06	1.240 / 31.50	.585 / 14.86	47354-000LF	3
48283-034	.573 / 14.55	.593 / 15.06	1.430 / 36.32	.775 / 19.69	47355-000	3
48283-034LF	.573 / 14.55	.593 / 15.06	1.430 / 36.32	.775 / 19.69	47355-000LF	3
48283-035	.698 / 17.73	.718 / 18.24	1.485 / 37.72	.705 / 17.91	47356-000	3
48283-035LF	.698 / 17.73	.718 / 18.24	1.485 / 37.72	.705 / 17.91	47356-000LF	3

A

A

B

B

mat'l. code		surface		tolerance		projection		product family	
SEE NOTE 1		ASME Y14.5		ASME Y14.5				PIN PRODUCTS	
ltr	ecn no	dr	date	tolerances unless otherwise specified				title	
R				angles	$XX \pm .01 / X \pm .3$	INCH/MM		BERGPOST® .200"[5.08]cc	
					$XXX \pm .005 / XXX \pm .13$	scale 1:1		WITHOUT RETENTION NICKS	
					$XXXX \pm .0020 / XXX \pm .051$			dwg no	
		dr	S. RAMP	1989-07-11				sheet 3 of 6 size	
		engr	K.D. PATEL	1989-07-11				48283 A4	
		chr	K.D. PATEL	1989-07-11				type	
		appd	K.D. PATEL	1989-07-11				CUSTOMER Drawing	
sheet index	revision								
	sheet								



PRODUCT NUMBER NOTE 12	CONTACT AREA DIM A	DIM H	OVERALL LENGTH DIM L	DIM R	CORRESPONDING P/N W/RETENTION NICKS	PLATING CODE
48283-036	.228 / 5.79	.248 / 6.30	.370 / 9.40	.060 / 1.52	47357-000	3
48283-036LF	.228 / 5.79	.248 / 6.30	.370 / 9.40	.060 / 1.52	47357-000LF	3
48283-037	.573 / 14.55	.593 / 15.06	.895 / 22.73	.240 / 6.10	47358-000	3
48283-037LF	.573 / 14.55	.593 / 15.06	.895 / 22.73	.240 / 6.10	47358-000LF	3
48283-038	.448 / 11.38	.468 / 11.89	.590 / 14.99	.060 / 1.52	47359-000	3
48283-038LF	.448 / 11.38	.468 / 11.89	.590 / 14.99	.060 / 1.52	47359-000LF	3
48283-039	.485 / 12.32	.505 / 12.83	.960 / 24.38	.393 / 9.98	47600-000	3
48283-039LF	.485 / 12.32	.505 / 12.83	.960 / 24.38	.393 / 9.98	47600-000LF	3
48283-040	.380 / 9.65	.400 / 10.16	.522 / 13.26	.060 / 1.52	47762-000	3
48283-040LF	.380 / 9.65	.400 / 10.16	.522 / 13.26	.060 / 1.52	47762-000LF	3
48283-041	.583 / 14.81	.603 / 15.32	1.000 / 25.40	.335 / 8.51	47799-000	3
48283-041LF	.583 / 14.81	.603 / 15.32	1.000 / 25.40	.335 / 8.51	47799-000LF	3
48283-042	.520 / 13.21	.540 / 13.72	.912 / 23.16	.320 / 8.13	47800-000	3
48283-042LF	.520 / 13.21	.540 / 13.72	.912 / 23.16	.320 / 8.13	47800-000LF	3
48283-043	.558 / 14.17	.578 / 14.68	.700 / 17.78	.060 / 1.52	47804-000	3
48283-043LF	.558 / 14.17	.578 / 14.68	.700 / 17.78	.060 / 1.52	47804-000LF	3
48283-044	.615 / 15.62	.628 / 15.95	1.010 / 25.65	.320 / 8.13	47816-000	3
48283-044LF	.615 / 15.62	.628 / 15.95	1.010 / 25.65	.320 / 8.13	47816-000LF	3
48283-045	.323 / 8.20	.343 / 8.71	.465 / 11.81	.060 / 1.52	47824-000	OBSOLETE
48283-045LF	.323 / 8.20	.343 / 8.71	.465 / 11.81	.060 / 1.52	47824-000LF	4
48283-046	.583 / 14.81	.603 / 15.32	1.075 / 27.31	.410 / 10.41	48031-000	1
48283-046LF	.583 / 14.81	.603 / 15.32	1.075 / 27.31	.410 / 10.41	48031-000LF	1
48283-047	.240 / 6.10	.260 / 6.60	.732 / 18.59	.410 / 10.41	48034-000	1
48283-047LF	.240 / 6.10	.260 / 6.60	.732 / 18.59	.410 / 10.41	48034-000LF	1
48283-048	.390 / 9.91	.410 / 10.41	1.075 / 27.31	.603 / 15.32	48033-000	1
48283-048LF	.390 / 9.91	.410 / 10.41	1.075 / 27.31	.603 / 15.32	48033-000LF	1
48283-049	.380 / 9.65	.400 / 10.16	.710 / 18.03	.248 / 6.30	47998-000	3
48283-049LF	.380 / 9.65	.400 / 10.16	.710 / 18.03	.248 / 6.30	47998-000LF	3
48283-050	.308 / 7.82	.328 / 8.33	.450 / 11.43	.060 / 1.52	48004-000	OBSOLETE
48283-050LF	.308 / 7.82	.328 / 8.33	.450 / 11.43	.060 / 1.52	48004-000LF	4
48283-051	.630 / 16.00	.650 / 16.51	1.122 / 28.50	.410 / 10.41	48035-000	1
48283-051LF	.630 / 16.00	.650 / 16.51	1.122 / 28.50	.410 / 10.41	48035-000LF	1
48283-052	.390 / 9.91	.410 / 10.41	1.122 / 28.50	.650 / 16.51	48036-000	1
48283-052LF	.390 / 9.91	.410 / 10.41	1.122 / 28.50	.650 / 16.51	48036-000LF	1
48283-053	.255 / 6.48	.275 / 6.99	.772 / 19.61	.435 / 11.05	48008-000	3
48283-053LF	.255 / 6.48	.275 / 6.99	.772 / 19.61	.435 / 11.05	48008-000LF	3

mat'l. code		surface		tolerance		projection		product family	
SEE NOTE 1		ASME Y14.5		ASME Y14.5				PIN PRODUCTS	
ltr	ecn no	dr	date	tolerances unless otherwise specified				title	
R				angles	XX*01/XX*3		INCH/MM		BERGPOST® .200"[5.08]cc WITHOUT RETENTION NICKS
					XXX*005/XXX*13		scale 1:1		
				0'±2'	XXXX*0020/XXX*051				dwg no
				dr	S. RAMP	1989-07-11			sheet 4 of 6 size
				engr	K.D. PATEL	1989-07-11			48283 A4
				chr	K.D. PATEL	1989-07-11			type
				appd	K.D. PATEL	1989-07-11			CUSTOMER Drawing
sheet	revision								
index	sheet								



PRODUCT NUMBER NOTE 12	CONTACT AREA DIM A	DIM H	OVERALL LENGTH DIM L	DIM R	CORRESPONDING P/N W/RETENTION NICKS	PLATING CODE
48283-054	.255 / 6.48	.275 / 6.99	.642 / 16.31	.305 / 7.75	48009-000	3
48283-054LF	.255 / 6.48	.275 / 6.99	.642 / 16.31	.305 / 7.75	48009-000LF	3
48283-055	.651 / 16.54	.671 / 17.04	.793 / 20.14	.060 / 1.52	48010-000	1
48283-055LF	.651 / 16.54	.671 / 17.04	.793 / 20.14	.060 / 1.52	48010-000LF	1
48283-056	.500 / 12.70	.520 / 13.21	.640 / 16.26	.058 / 1.47	48011-000	OBSOLETE
48283-056LF	.500 / 12.70	.520 / 13.21	.640 / 16.26	.058 / 1.47	48011-000LF	4
48283-057	.250 / 6.35	.270 / 6.86	.572 / 14.53	.240 / 6.10	48019-000	1
48283-057LF	.250 / 6.35	.270 / 6.86	.572 / 14.53	.240 / 6.10	48019-000LF	1
48283-058	.250 / 6.35	.270 / 6.86	.390 / 9.91	.058 / 1.47	48020-000	1
48283-058LF	.250 / 6.35	.270 / 6.86	.390 / 9.91	.058 / 1.47	48020-000LF	1
48283-059	.750 / 19.05	.770 / 19.56	.892 / 22.66	.060 / 1.52	48021-000	1
48283-059LF	.750 / 19.05	.770 / 19.56	.892 / 22.66	.060 / 1.52	48021-000LF	1
48283-060	.380 / 9.65	.400 / 10.16	.880 / 22.35	.418 / 10.62	48022-000	1
48283-060LF	.380 / 9.65	.400 / 10.16	.880 / 22.35	.418 / 10.62	48022-000LF	1
48283-061	.280 / 7.11	.300 / 7.62	.552 / 14.02	.190 / 4.83	48028-000	1
48283-061LF	.280 / 7.11	.300 / 7.62	.552 / 14.02	.190 / 4.83	48028-000LF	1
48283-062	.338 / 8.59	.358 / 9.09	.478 / 12.14	.058 / 1.47	48042-000	1
48283-062LF	.338 / 8.59	.358 / 9.09	.478 / 12.14	.058 / 1.47	48042-000LF	1
48283-063	.250 / 6.35	.270 / 6.86	.650 / 16.51	.318 / 8.08	48087-000	1
48283-063LF	.250 / 6.35	.270 / 6.86	.650 / 16.51	.318 / 8.08	48087-000LF	1
48283-064	.228 / 5.79	.248 / 6.30	.550 / 13.97	.240 / 6.10	48089-000	OBSOLETE
48283-064LF	.228 / 5.79	.248 / 6.30	.550 / 13.97	.240 / 6.10	48089-000LF	4
48283-065	.380 / 9.65	.400 / 10.16	.960 / 24.38	.498 / 12.65	48114-000	OBSOLETE
48283-065LF	.380 / 9.65	.400 / 10.16	.960 / 24.38	.498 / 12.65	48114-000LF	4
48283-066	.698 / 17.73	.718 / 18.24	1.000 / 25.40	.225 / 5.72	48122-000	OBSOLETE
48283-066LF	.698 / 17.73	.718 / 18.24	1.000 / 25.40	.225 / 5.72	48122-000LF	4
48283-067	.755 / 19.18	.775 / 19.69	1.260 / 32.00	.420 / 10.67	48179-000	1
48283-067LF	.755 / 19.18	.775 / 19.69	1.260 / 32.00	.420 / 10.67	48179-000LF	1
48283-068	.228 / 5.79	.248 / 6.30	.368 / 9.35	.058 / 1.47	48206-000	OBSOLETE
48283-068LF	.228 / 5.79	.248 / 6.30	.368 / 9.35	.058 / 1.47	48206-000LF	4
48283-069	.280 / 7.11	.300 / 7.62	.552 / 14.02	.190 / 4.83	48267-000	OBSOLETE
48283-069LF	.280 / 7.11	.300 / 7.62	.552 / 14.02	.190 / 4.83	48267-000LF	4
48283-070	.500 / 12.70	.520 / 13.21	.640 / 16.26	.058 / 1.47	48277-000	1
48283-070LF	.500 / 12.70	.520 / 13.21	.640 / 16.26	.058 / 1.47	48277-000LF	1

mat'l. code		surface		tolerance		projection		product family	
SEE NOTE 1		ASME Y14.5		ASME Y14.5				PIN PRODUCTS	
ltr	ecn no	dr	date	tolerances unless otherwise specified		INCH/MM		title	
R				angles	XX+01/XX+3			BERGPOST® .200"[5.08]cc	
					XXX+005/XXX+13	scale 1:1		WITHOUT RETENTION NICKS	
					XXXX+0020/XXX+051			dwg no	
		dr	T. BREWBAKER	2008-09-03				sheet 5 of 6 size	
		engr	T. BREWBAKER	2008-09-03				48283 A4	
		chr	T. BREWBAKER	2008-09-03				type	
		appd	T. BREWBAKER	2008-09-03				CUSTOMER Drawing	
sheet index	revision	sheet							



PRODUCT NUMBER NOTE 12	CONTACT AREA DIM A	DIM H	OVERALL LENGTH DIM L	DIM R	CORRESPONDING P/N W/RETENTION NICKS	PLATING CODE
48283-071	.573 / 14.55	.593 / 15.06	.895 / 22.73	.240 / 6.10	48081-000	OBSOLETE
48283-071LF	.573 / 14.55	.593 / 15.06	.895 / 22.73	.240 / 6.10	48081-000LF	4
48283-072	.400 / 10.16	.420 / 10.67	.920 / 23.37	.410 / 10.41	48217-000	1
48283-072LF	.400 / 10.16	.420 / 10.67	.920 / 23.37	.410 / 10.41	48217-000LF	1
48283-073	.630 / 16.00	.650 / 16.51	.700 / 17.78	.058 / 1.47	48218-000	1
48283-073LF	.630 / 16.00	.650 / 16.51	.700 / 17.78	.058 / 1.47	48218-000LF	1
48283-074	.583 / 14.81	.603 / 15.32	1.075 / 27.31	.410 / 10.41	48219-000	9
48283-074LF	.583 / 14.81	.603 / 15.32	1.075 / 27.31	.410 / 10.41	48219-000LF	9
48283-075	.558 / 14.17	.578 / 14.68	.700 / 17.78	.060 / 1.52	48220-000	9
48283-075LF	.558 / 14.17	.578 / 14.68	.700 / 17.78	.060 / 1.52	48220-000LF	9
48283-076	.390 / 9.91	.410 / 10.41	1.075 / 27.31	.603 / 15.32	48221-000	9
48283-076LF	.390 / 9.91	.410 / 10.41	1.075 / 27.31	.603 / 15.32	48221-000LF	9
48283-077	.240 / 6.10	.260 / 6.60	.732 / 18.59	.410 / 10.41	48222-000	9
48283-077LF	.240 / 6.10	.260 / 6.60	.732 / 18.59	.410 / 10.41	48222-000LF	9
48283-078	.630 / 16.00	.650 / 16.51	1.122 / 28.50	.410 / 10.41	48223-000	9
48283-078LF	.630 / 16.00	.650 / 16.51	1.122 / 28.50	.410 / 10.41	48223-000LF	9
48283-079	.390 / 9.91	.410 / 10.41	1.122 / 28.50	.650 / 16.51	48224-000	9
48283-079LF	.390 / 9.91	.410 / 10.41	1.122 / 28.50	.650 / 16.51	48224-000LF	9
48283-080	.308 / 7.82	.328 / 8.33	.450 / 11.43	.060 / 1.52	48225-000	9
48283-080LF	.308 / 7.82	.328 / 8.33	.450 / 11.43	.060 / 1.52	48225-000LF	9
48283-081	.400 / 10.16	.420 / 10.67	.892 / 22.66	.410 / 10.41	48226-000	9
48283-081LF	.400 / 10.16	.420 / 10.67	.892 / 22.66	.410 / 10.41	48226-000LF	9
48283-082	.630 / 16.00	.650 / 16.51	.770 / 19.56	.058 / 1.47	48227-000	9
48283-082LF	.630 / 16.00	.650 / 16.51	.770 / 19.56	.058 / 1.47	48227-000LF	9
48283-083	.630 / 16.00	.650 / 16.51	1.122 / 28.50	.410 / 10.41	48228-000	OBSOLETE
48283-083LF	.630 / 16.00	.650 / 16.51	1.122 / 28.50	.410 / 10.41	48228-000LF	4
48283-084	.630 / 16.00	.650 / 16.51	1.122 / 28.50	.410 / 10.41	48265-000	3
48283-084LF	.630 / 16.00	.650 / 16.51	1.122 / 28.50	.410 / 10.41	48265-000LF	3
48283-085	.573 / 14.55	.593 / 15.06	.895 / 22.73	.240 / 6.10	48278-000	9
48283-085LF	.573 / 14.55	.593 / 15.06	.895 / 22.73	.240 / 6.10	48278-000LF	9
48283-086	.345 / 8.76	.355 / 9.02	.662 / 16.81	.245 / 6.22	48312-000	3
48283-086LF	.345 / 8.76	.355 / 9.02	.662 / 16.81	.245 / 6.22	48312-000LF	3
48283-087	.323 / 8.20	.343 / 8.71	.463 / 11.76	.058 / 1.47	48350-000	1
48283-087LF	.323 / 8.20	.343 / 8.71	.463 / 11.76	.058 / 1.47	48350-000LF	1

mat'l. code SEE NOTE 1		surface ASME Y14.5 <input checked="" type="checkbox"/>		tolerance ASME Y14.5		projection 		product family PIN PRODUCTS	
ltr	ecn no	dr	date	tolerances unless otherwise specified				title	
R				angles	$XX+01/XX+3$	INCH/MM		BERGPOST® .200"[5.08]cc	
					$XXX+005/XXX+13$	scale 1:1		WITHOUT RETENTION NICKS	
					$XXXX+0020/XXX+051$			dwg no	
		dr	T. BREWBAKER	2008-09-03			sheet 6 of 6		size
		enr	T. BREWBAKER	2008-09-03			48283		A4
		chr	T. BREWBAKER	2008-09-03			FCI		
		appd	T. BREWBAKER	2008-09-03			type		CUSTOMER Drawing
sheet	revision								
index	sheet								