



Chipsmall Limited consists of a professional team with an average of over 10 year of expertise in the distribution of electronic components. Based in Hongkong, we have already established firm and mutual-benefit business relationships with customers from,Europe,America and south Asia,supplying obsolete and hard-to-find components to meet their specific needs.

With the principle of “Quality Parts,Customers Priority,Honest Operation,and Considerate Service”,our business mainly focus on the distribution of electronic components. Line cards we deal with include Microchip,ALPS,ROHM,Xilinx,Pulse,ON,Everlight and Freescale. Main products comprise IC,Modules,Potentiometer,IC Socket,Relay,Connector.Our parts cover such applications as commercial,industrial, and automotives areas.

We are looking forward to setting up business relationship with you and hope to provide you with the best service and solution. Let us make a better world for our industry!



Contact us

Tel: +86-755-8981 8866 Fax: +86-755-8427 6832

Email & Skype: info@chipsmall.com Web: www.chipsmall.com

Address: A1208, Overseas Decoration Building, #122 Zhenhua RD., Futian, Shenzhen, China



4850, 8-pole, Socket, PCB terminals, DIN Plug/Socket



Description

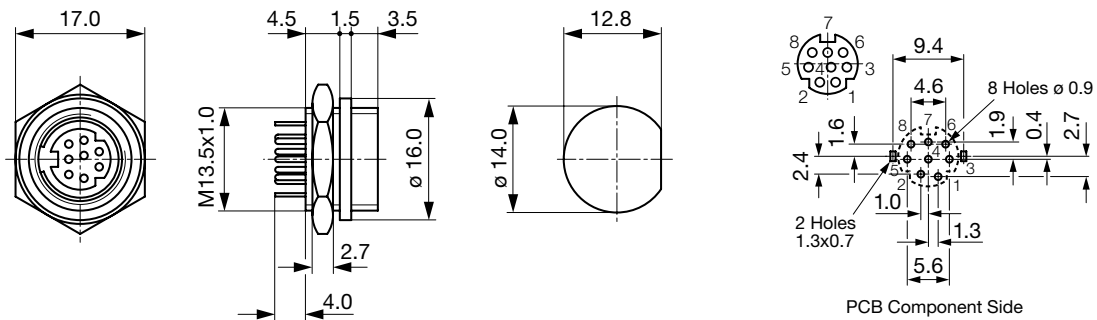
- PCB Mounting :
Screw-on mounting , from rear-side
- DIN Plug: 8-pole , straight

Technical Data

Diameter	9.0 mm	Allowable Operation Temperature	-20°C to 70°C
Number of Poles	8-pole	Terminal	PCB terminals silver plated
Ratings DC	1 A / 12 VDC	Mounting	Screw-on mounting wall thickness max. 2.0mm
Ratings AC	1 A / 100 VAC	Lifetime	5000 Insertions
Dielectric Strength	250 VAC		
Insulation Resistance	> 50 MΩ @ 250 VDC		

Detailed information on product approvals, code requirements, usage instructions and detailed test conditions can be looked up in [General Product Information](#)

Dimensions



All Variants

Product group	Diameter [mm]	Number of Poles	Terminal	Order Number
DIN Plug/Socket	9.0	8-pole	PCB terminals	4850.2800

Availability for all products can be searched real-time: <http://www.schurter.com/en/Stock-Check/Stock-Check-SCHURTER>

Packaging unit 250 Pcs

Mating Inlets/Plugs

Category / Description



[DIN Plug/Socket Overview complete](#)

4850, 8-pole, Plug, solder terminal, DIN Plug/Socket	4850.1810
4850, 9-pole, Plug, solder terminal, DIN Plug/Socket	4850.1910

[DIN Plug/Socket further types to 4850.2800](#)