



Chipsmall Limited consists of a professional team with an average of over 10 year of expertise in the distribution of electronic components. Based in Hongkong, we have already established firm and mutual-benefit business relationships with customers from,Europe,America and south Asia,supplying obsolete and hard-to-find components to meet their specific needs.

With the principle of "Quality Parts,Customers Priority,Honest Operation,and Considerate Service",our business mainly focus on the distribution of electronic components. Line cards we deal with include Microchip,ALPS,ROHM,Xilinx,Pulse,ON,Everlight and Freescale. Main products comprise IC,Modules,Potentiometer,IC Socket,Relay,Connector.Our parts cover such applications as commercial,industrial, and automotives areas.

We are looking forward to setting up business relationship with you and hope to provide you with the best service and solution. Let us make a better world for our industry!



## Contact us

Tel: +86-755-8981 8866 Fax: +86-755-8427 6832

Email & Skype: info@chipsmall.com Web: www.chipsmall.com

Address: A1208, Overseas Decoration Building, #122 Zhenhua RD., Futian, Shenzhen, China



4

3

2

1

THIS DRAWING IS UNPUBLISHED.

RELEASED FOR PUBLICATION

---

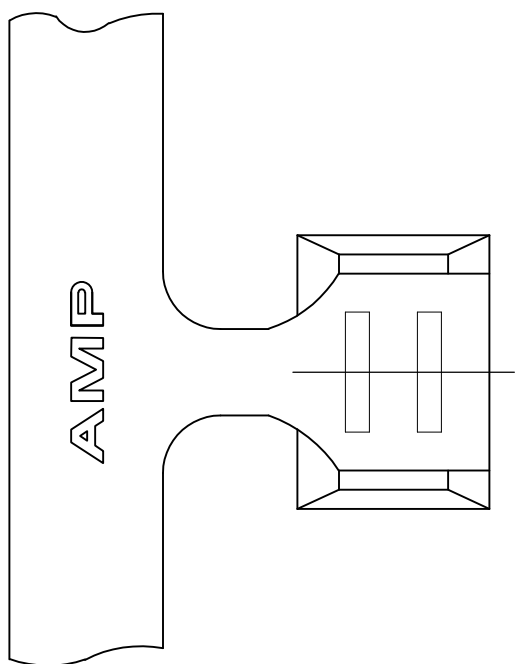
© COPYRIGHT - BY TYCO ELECTRONICS CORPORATION.

ALL RIGHTS RESERVED.

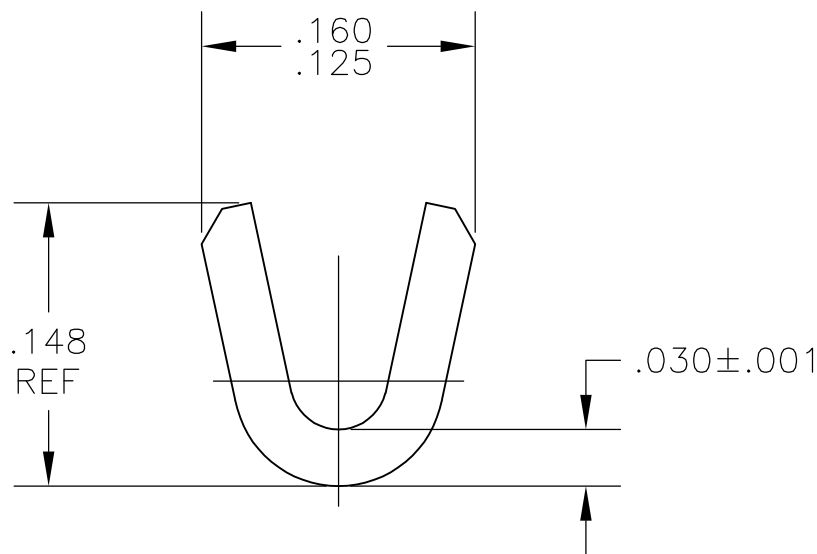
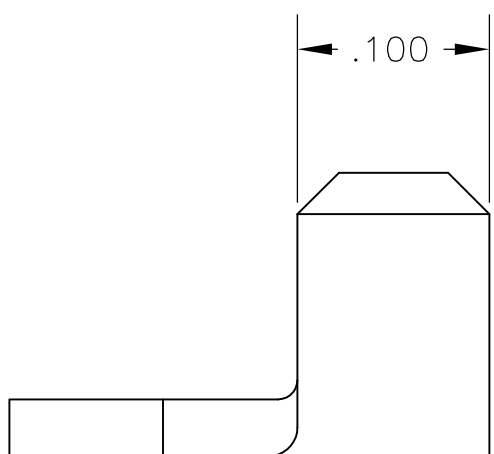
LOC  
AF DIST  
50

REVISIONS

P	LTR	DESCRIPTION	DATE	DWN	APVD
	B1	ECR-07-018635(REDRAWN IN AUTOCAD)	03JUL07	HMR	GP



- 1 CONTINUOUS STRIP ON REELS
- 2 WIRE RANGE: 500 TO 2200 CMA



485016-1  
PART NO

THIS DRAWING IS A CONTROLLED DOCUMENT.

DWN RAGHAVENDRA 03JUL07

CHK G.D.PORTA 03JUL07

APVD G.D.PORTA 03JUL07

PRODUCT SPEC

APPLICATION SPEC

WEIGHT -

**Tyco Electronics** Tyco Electronics Corporation  
Harrisburg, PA 17105-3608

NAME

SPLICE

SIZE CAGE CODE DRAWING NO RESTRICTED TO

A3 00779 C-485016 -

DIMENSIONS: INCHES	TOLERANCES UNLESS OTHERWISE SPECIFIED:
	0 PLC ± -
	1 PLC ± -
	2 PLC ± -
	3 PLC ± .010
	4 PLC ± -
ANGLES ± -	

MATERIAL

BRASS

FINISH

NONE

CUSTOMER DRAWING

SCALE 10:1 SHEET 1 OF 1 REV B1