



Chipsmall Limited consists of a professional team with an average of over 10 year of expertise in the distribution of electronic components. Based in Hongkong, we have already established firm and mutual-benefit business relationships with customers from,Europe,America and south Asia,supplying obsolete and hard-to-find components to meet their specific needs.

With the principle of “Quality Parts,Customers Priority,Honest Operation,and Considerate Service”,our business mainly focus on the distribution of electronic components. Line cards we deal with include Microchip,ALPS,ROHM,Xilinx,Pulse,ON,Everlight and Freescale. Main products comprise IC,Modules,Potentiometer,IC Socket,Relay,Connector.Our parts cover such applications as commercial,industrial, and automotives areas.

We are looking forward to setting up business relationship with you and hope to provide you with the best service and solution. Let us make a better world for our industry!



Contact us

Tel: +86-755-8981 8866 Fax: +86-755-8427 6832

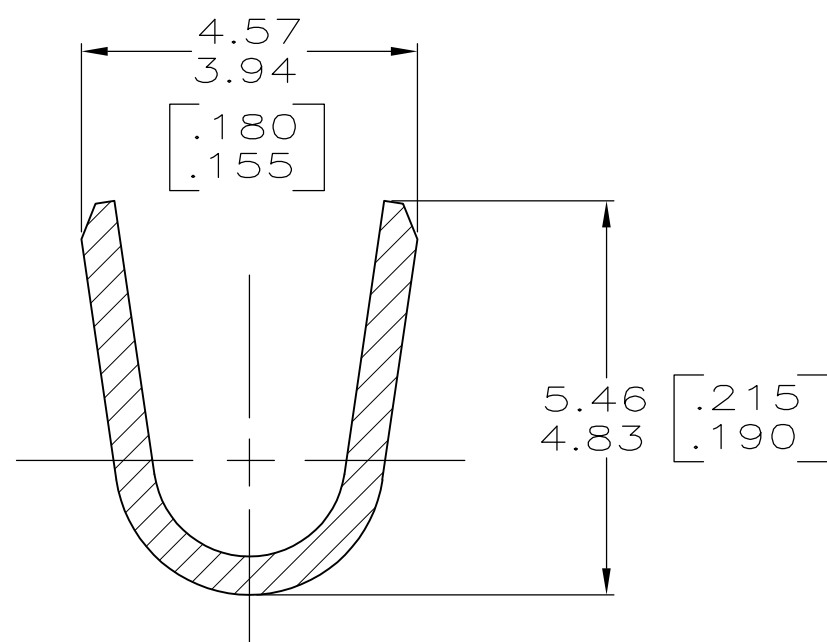
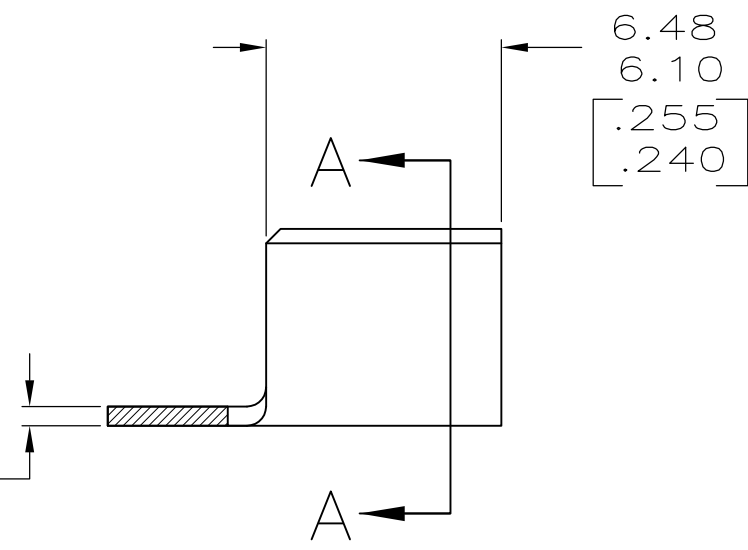
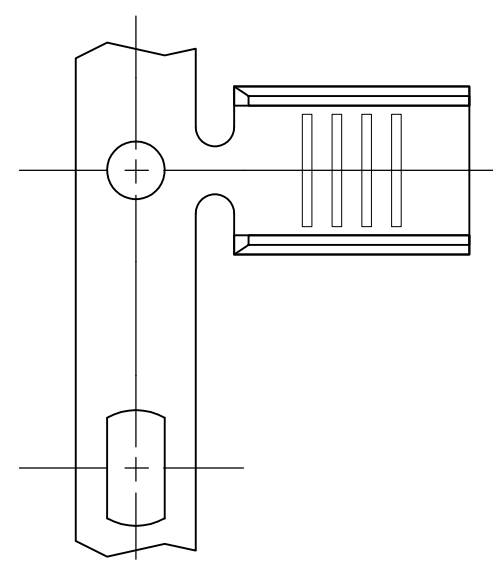
Email & Skype: info@chipsmall.com Web: www.chipsmall.com

Address: A1208, Overseas Decoration Building, #122 Zhenhua RD., Futian, Shenzhen, China



THIS DRAWING IS UNPUBLISHED. RELEASED FOR PUBLICATION
 © COPYRIGHT - By - ALL RIGHTS RESERVED.

LOC	DIST	REVISIONS					
		P	LTR	DESCRIPTION	DATE	DWN	APVD
AF	50		P1	REVISED PER ECO-11-004917	11MAR11	RK	HMR



SECTION A-A
SCALE 10:1

- 1 PRODUCT PROVIDED IN STRIP FORM ON REELS; BREAKS MAY BE PRESENT
- 2 SPLICE FREE REELING
- 3 WIRE RANGE FOR NEW APPLICATIONS: 4000-9000 CMA (WIRE RANGE APPROVED FOR APPLICATIONS IMPLEMENTED PRIOR TO 2005: 3000-8400 CMA).
- 4 CRIMP WIDTH = .140 F TYPE
CRIMP HEIGHT (±.002) = (TOTAL CMA + 14,400) / 223,100.
- 5 PRODUCT LUBRICANT APPLICATOR AVAILABLE FOR TE CONNECTIVITY TERMINATION EQUIPMENT MAY BE REQUIRED TO FACILITATE CRIMPING
- 6 PRELIMINARY - NOT FOR PRODUCTION.

FINISH	MATERIAL	WIRE RANGE	PART NO.
TIN	H00 COPPER		485043-7
	-		-
	-		-
NICKEL	T3 STEEL	3 4 5	485043-4
TIN	T3 STEEL		485043-3
TIN	H04 BRASS		485043-2
-	H04 BRASS		485043-1

THIS DRAWING IS A CONTROLLED DOCUMENT.		DWN 11/MAY/95 PHILLIP M FORTNEY	STE TE Connectivity	
DIMENSIONS: INCHES		CHK 11/MAY/95 JEFF R RUTH		
TOLERANCES UNLESS OTHERWISE SPECIFIED:		APVD 11/MAY/95 MARK BARNABA	NAME	
0 PLC ± -		PRODUCT SPEC	SPLICE	
1 PLC ± -		APPLICATION SPEC	SIZE CAGE CODE DRAWING NO	
2 PLC ± 0.25 [.010]		114-2088	A3 00779 C-485043	
3 PLC ± -		WEIGHT -	RESTRICTED TO	
4 PLC ± -		CUSTOMER DRAWING	SCALE 5:1 SHEET 1 OF 1 REV P1	
ANGLES ± -				
FINISH SEE TABLE				