



Chipsmall Limited consists of a professional team with an average of over 10 year of expertise in the distribution of electronic components. Based in Hongkong, we have already established firm and mutual-benefit business relationships with customers from,Europe,America and south Asia,supplying obsolete and hard-to-find components to meet their specific needs.

With the principle of “Quality Parts,Customers Priority,Honest Operation,and Considerate Service”,our business mainly focus on the distribution of electronic components. Line cards we deal with include Microchip,ALPS,ROHM,Xilinx,Pulse,ON,Everlight and Freescale. Main products comprise IC,Modules,Potentiometer,IC Socket,Relay,Connector.Our parts cover such applications as commercial,industrial, and automotives areas.

We are looking forward to setting up business relationship with you and hope to provide you with the best service and solution. Let us make a better world for our industry!



Contact us

Tel: +86-755-8981 8866 Fax: +86-755-8427 6832

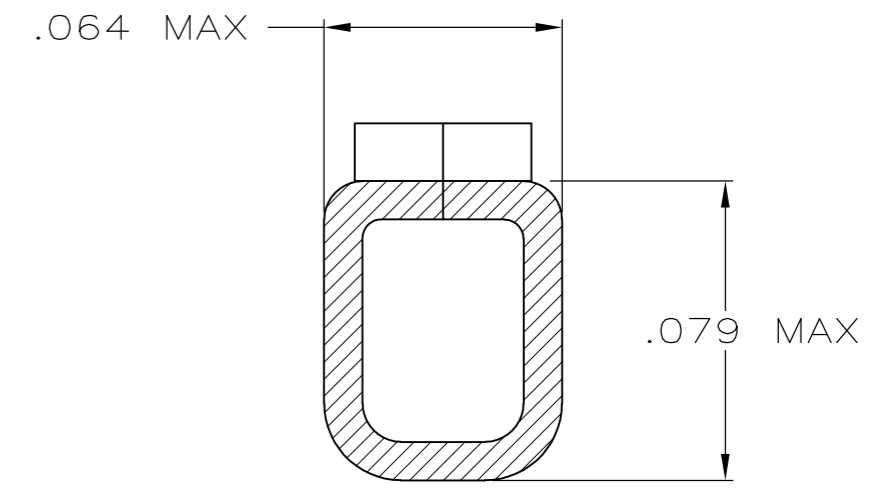
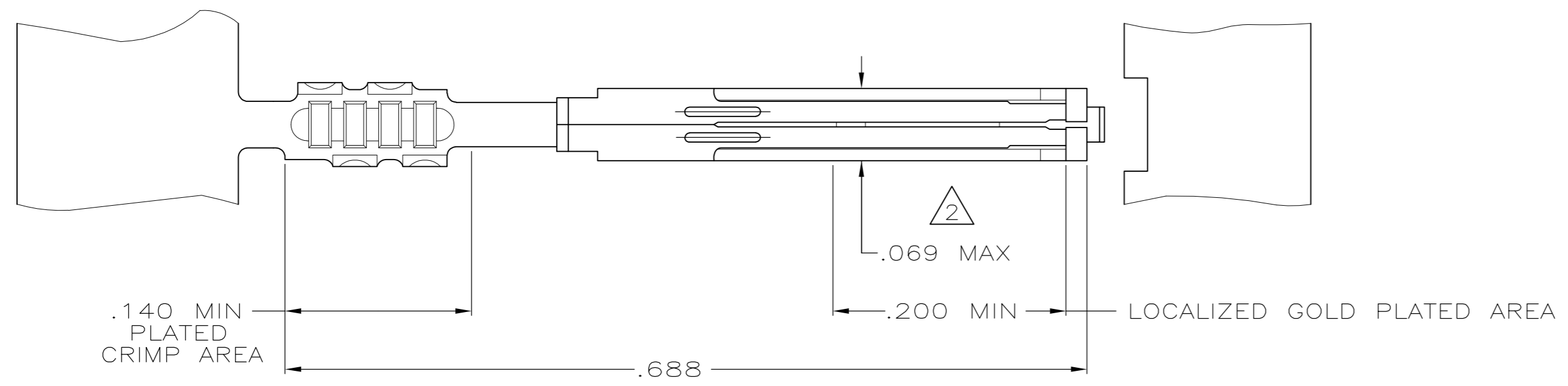
Email & Skype: info@chipsmall.com Web: www.chipsmall.com

Address: A1208, Overseas Decoration Building, #122 Zhenhua RD., Futian, Shenzhen, China

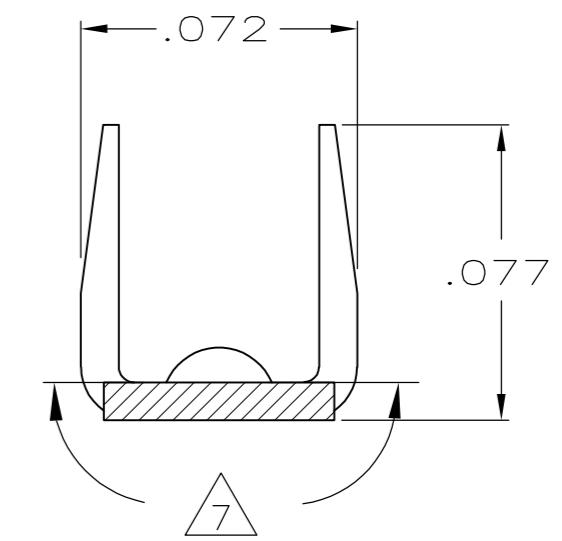
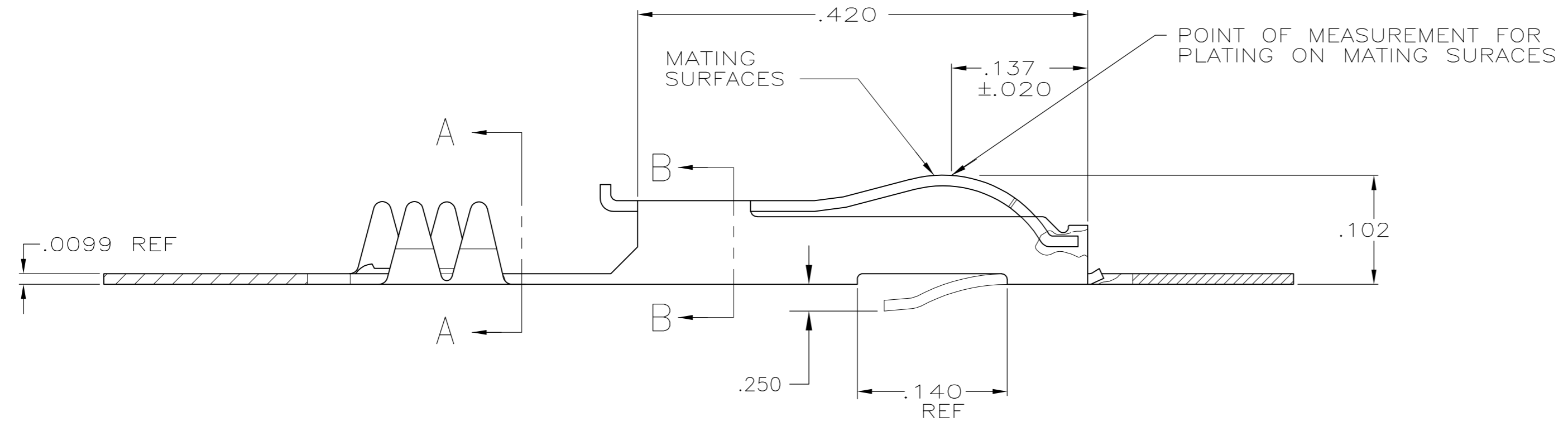


THIS DRAWING IS UNPUBLISHED. RELEASED FOR PUBLICATION
 © COPYRIGHT BY TYCO ELECTRONICS CORPORATION. ALL RIGHTS RESERVED.

LOC	DIST	REVISIONS			
P	LTR	DESCRIPTION	DATE	DWN	APVD
GP	00				
		AJ	REVISED PER ECO-12-011709	26JUN2012	RW SY



SECTION B-B



SECTION A-A

- 1 PREPLATED WITH NICKEL UNDERPLATE .000050 MIN THK ON ENTIRE CONTACT WITH GOLD .000015 MIN THK ON MATING SURFACES IN LOCALIZED AREA AND PLATED WITH BRIGHT TIN-LEAD .000100 MIN THK IN CRIMP AREA.
- 2 .069 MAX ALLOWED IN LOCKING LATCH AREA FOR .140 REF LENGTH.
- 3 PREPLATED WITH NICKEL UNDERPLATE .000050 MIN THK ON ENTIRE CONTACT WITH GOLD .000030 MIN THK ON MATING SURFACES IN LOCALIZED AREA AND PLATED WITH BRIGHT TIN-LEAD .000100 MIN THK IN CRIMP AREA.
- 4 PLATED WITH NICKEL UNDERPLATE .000050 MIN THK ON ENTIRE CONTACT WITH GOLD .000015 MIN THK ON MATING SURFACES IN LOCALIZED AREA AND PLATED WITH GOLD FLASH IN CRIMP AREA,
-OR-
PLATED WITH NICKEL UNDERPLATE .000050 MIN THK ON ENTIRE CONTACT WITH GOLD FLASH OVER PALLADIUM-NICKEL .000015 MIN TOTAL THK ON MATING SURFACES IN LOCALIZED AREA AND PLATED WITH GOLD FLASH IN CRIMP AREA.
- 5 PREPLATED WITH NICKEL UNDERPLATE .000050 MIN THK ON ENTIRE CONTACT WITH GOLD .000030 MIN THK ON MATING SURFACES IN LOCALIZED AREA AND PLATED WITH GOLD FLASH IN CRIMP AREA.
- 6 OBSOLETE PARTS: OBSOLETE CIS STREAMLINING PER D.RENAUD/D.SINISI.
- 7 GOLD COVERAGE MAY OR MAY NOT BE PRESENT ON BOTTOM OF CRIMP BARREL IN THIS AREA.

6	OBSOLETE	5	485800-6
		4	485800-5
6	OBSOLETE	3	485800-3
	OBSOLETE	1	485800-2
		FNSH	PART NO

THIS DRAWING IS A CONTROLLED DOCUMENT.		DWN P.BERRY 3-21-86	Tyco Electronics Corporation Harrisburg, PA 17105-3608	
DIMENSIONS: INCHES		CHK D.WORTHINGTON 3-24-86	NAME CONTACT, CARD EDGE	
TOLERANCES UNLESS OTHERWISE SPECIFIED:		APVD -	PRODUCT SPEC 108-9024	
0 PLC ± -		APPLICATION SPEC 114-16015		
1 PLC ± -		SIZE A2 CAGE CODE 00779 C=485800		
2 PLC ± -		WEIGHT -		
3 PLC ± .005		CUSTOMER DRAWING		
4 PLC ± -		SCALE NTS SHEET 1 OF 1		
4 ANGLES ± -		REV AJ		
FINISH SEE TABLE				