



Chipsmall Limited consists of a professional team with an average of over 10 year of expertise in the distribution of electronic components. Based in Hongkong, we have already established firm and mutual-benefit business relationships with customers from,Europe,America and south Asia,supplying obsolete and hard-to-find components to meet their specific needs.

With the principle of “Quality Parts,Customers Priority,Honest Operation,and Considerate Service”,our business mainly focus on the distribution of electronic components. Line cards we deal with include Microchip,ALPS,ROHM,Xilinx,Pulse,ON,Everlight and Freescale. Main products comprise IC,Modules,Potentiometer,IC Socket,Relay,Connector.Our parts cover such applications as commercial,industrial, and automotives areas.

We are looking forward to setting up business relationship with you and hope to provide you with the best service and solution. Let us make a better world for our industry!



## Contact us

Tel: +86-755-8981 8866 Fax: +86-755-8427 6832

Email & Skype: info@chipsmall.com Web: www.chipsmall.com

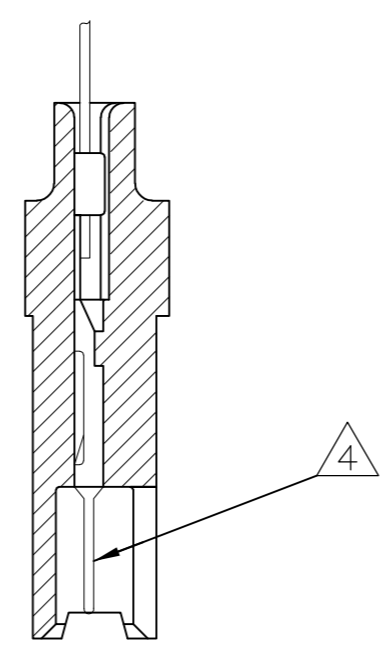
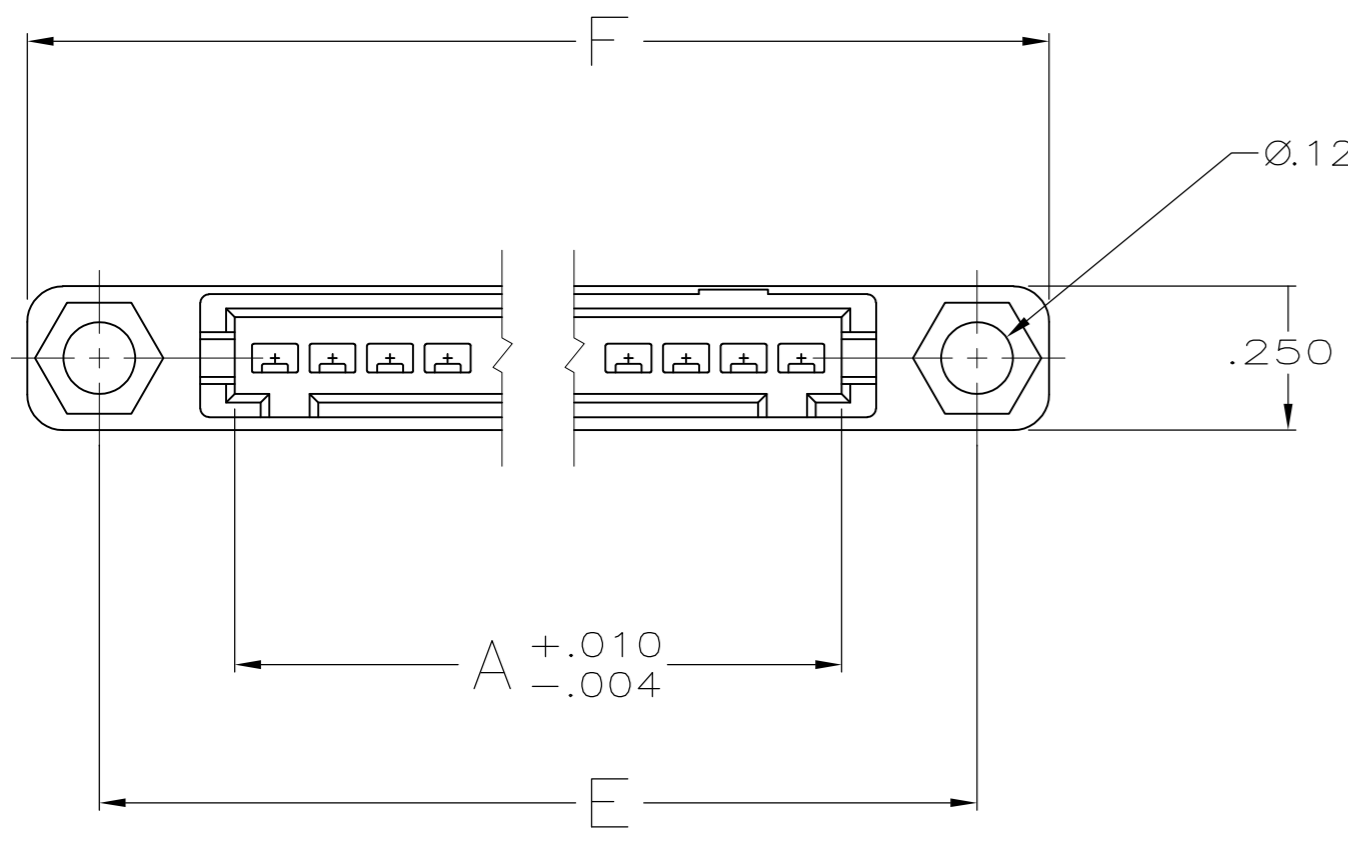
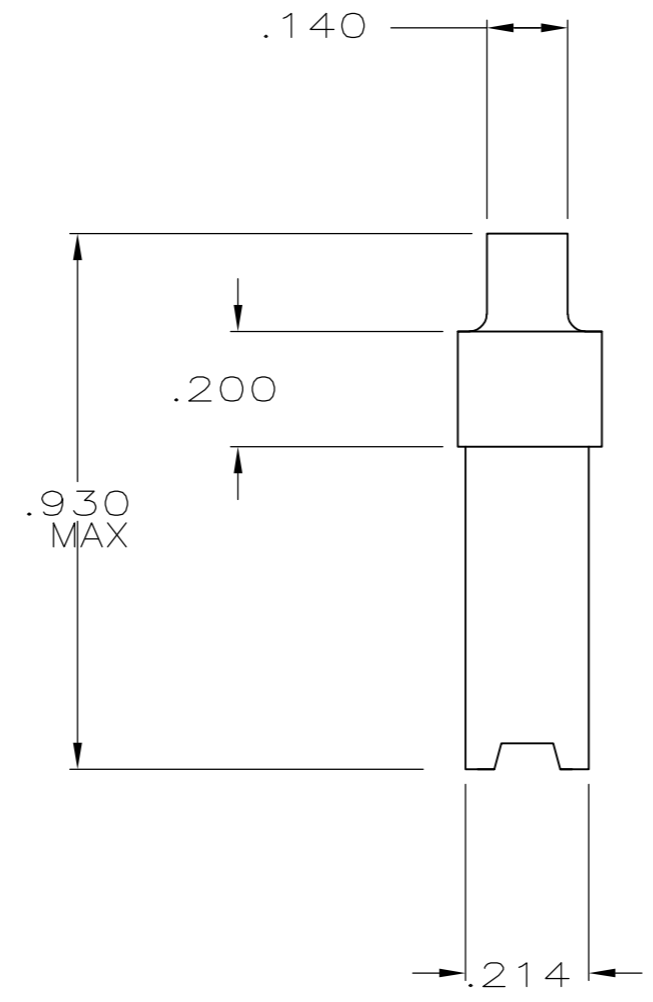
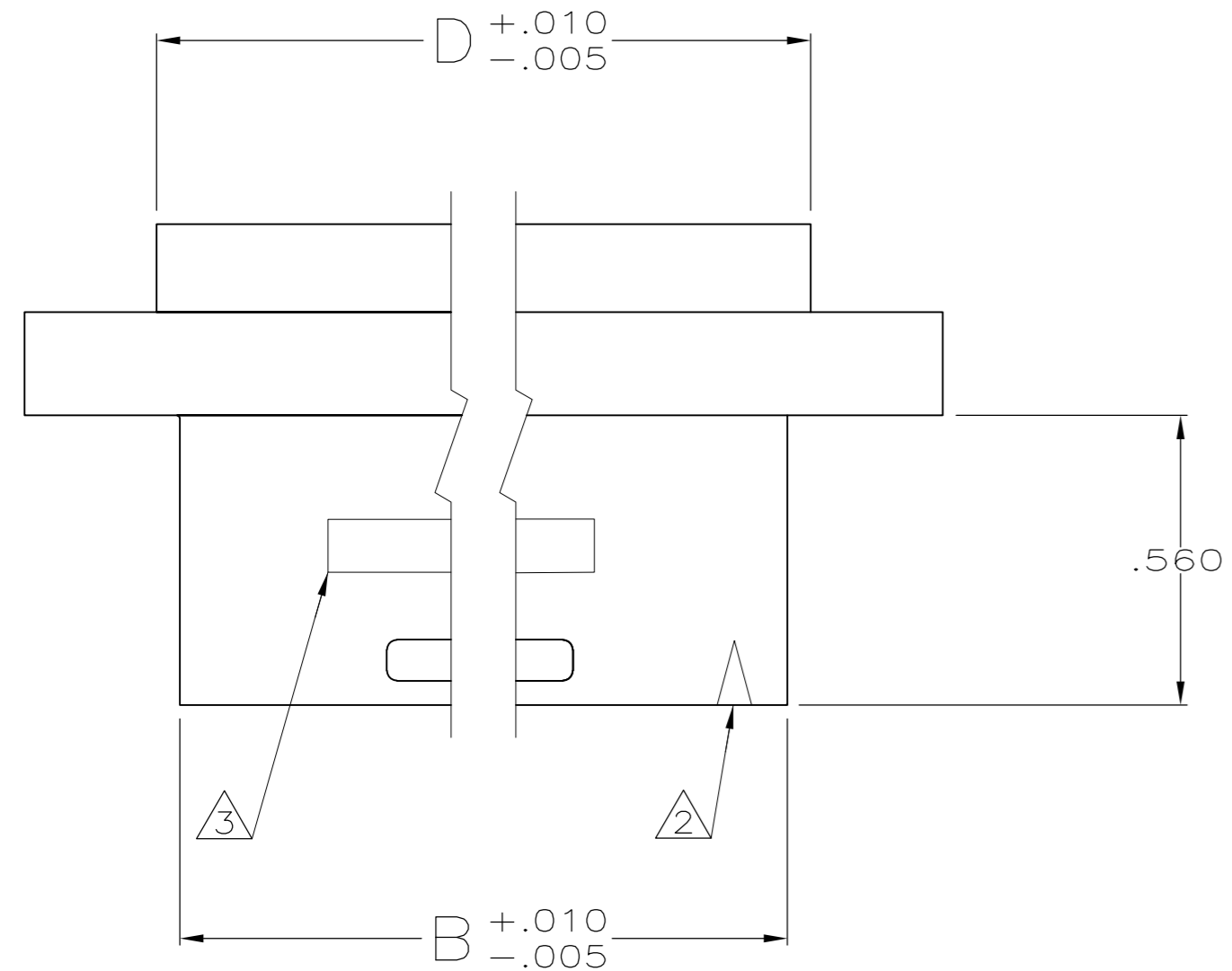
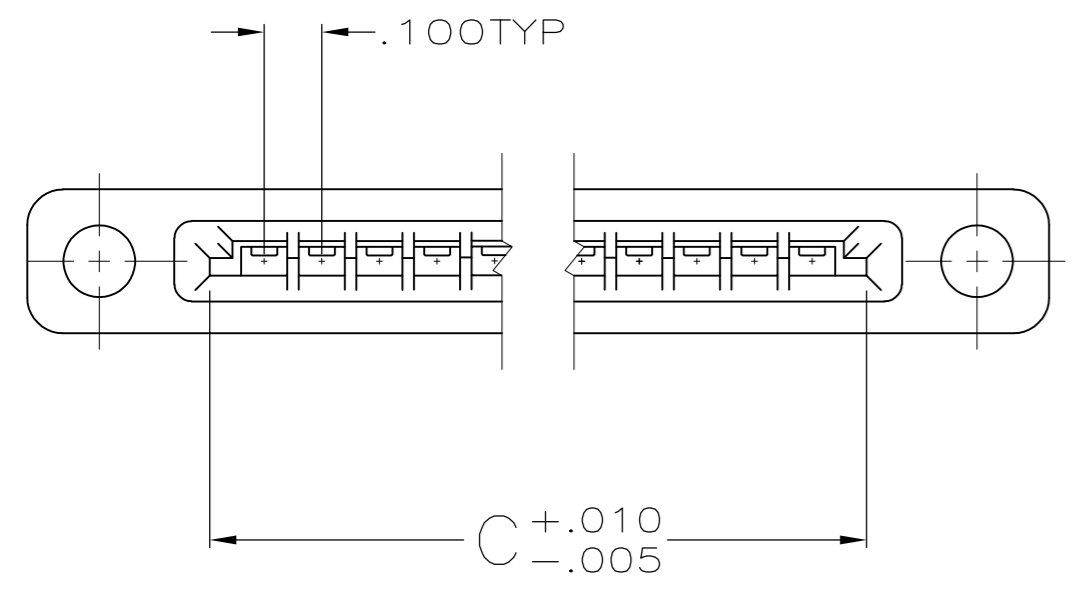
Address: A1208, Overseas Decoration Building, #122 Zhenhua RD., Futian, Shenzhen, China



THIS DRAWING IS UNPUBLISHED. RELEASED FOR PUBLICATION  
 © COPYRIGHT BY TYCO ELECTRONICS CORPORATION. ALL INTERNATIONAL RIGHTS RESERVED.

LOC	DIST	REVISIONS					
GP	00	P	LTR	DESCRIPTION	DATE	DWN	APVD
		T		REVISED PER ECO-08-025674	22OCT08	JDP	CWR
		T1		REVISED PER ECO-09-020932	08SEP09	KK	AEG

- HOUSING WILL ACCOMMODATE FLEXIBLE FLAT CONDUCTOR CABLE .050 OR .062 WIDE CONDUCTORS ON .100 CENTERS AND/OR #32-22 AWG WIRE WITH INSULATION RANGE .025-.056 DIA.
- INDICATES POSITION 1, SURFACE TEXTURE TO CONTRAST WITH REST OF HOUSING.
- AMP TRADEMARK MOLDED IN THIS AREA.
- PIN CONTACTS MUST BE ORDERED SEPARATELY.
- OBSOLETE PART NUMBER.
- GLASS-FILLED PBT, BLACK, UL V-0.
- OBSOLETE PARTS: OBSOLETE CIS STREAMLINING PER D.RENAUD/D.SINISI



CRIMPED CONTACT SHOWN FOR REF ONLY

4.260	4.010	3.750	3.626	3.660	3.540	35	5	3-485897-3
4.160	3.910	3.650	3.526	3.560	3.440	34	5	3-485897-2
4.060	3.810	3.550	3.426	3.460	3.340	33	5	3-485897-1
3.960	3.710	3.450	3.326	3.360	3.240	32	5	3-485897-0
3.860	3.610	3.350	3.226	3.260	3.140	31	5	2-485897-9
3.760	3.510	3.250	3.126	3.160	3.040	30	5	2-485897-8
3.660	3.410	3.150	3.026	3.060	2.940	29	5	2-485897-7
3.560	3.310	3.050	2.926	2.960	2.840	28	5	2-485897-6
3.460	3.210	2.950	2.826	2.860	2.740	27	5	2-485897-5
3.360	3.110	2.850	2.726	2.760	2.640	26	5	2-485897-4
3.260	3.010	2.750	2.626	2.660	2.540	25	5	2-485897-3
3.160	2.910	2.650	2.526	2.560	2.440	24	5	2-485897-2
3.060	2.810	2.550	2.426	2.460	2.340	23	5	2-485897-1
2.960	2.710	2.450	2.326	2.360	2.240	22	5	2-485897-0
2.860	2.610	2.350	2.226	2.260	2.140	21	5	1-485897-9
2.760	2.510	2.250	2.126	2.160	2.040	20	5	1-485897-8
2.660	2.410	2.150	2.026	2.060	1.940	19	5	1-485897-7
2.560	2.310	2.050	1.926	1.960	1.840	18	5	1-485897-6
2.460	2.210	1.950	1.826	1.860	1.740	17	5	1-485897-5
2.360	2.110	1.850	1.726	1.760	1.640	16	5	1-485897-4
2.260	2.010	1.750	1.626	1.660	1.540	15	5	1-485897-3
2.160	1.910	1.650	1.526	1.560	1.440	14	5	1-485897-2
2.060	1.810	1.550	1.426	1.460	1.340	13	5	1-485897-1
1.960	1.710	1.450	1.326	1.360	1.240	12	5	1-485897-0
1.860	1.610	1.350	1.226	1.260	1.140	11	5	485897-9
1.760	1.510	1.250	1.126	1.160	1.040	10	5	485897-8
1.660	1.410	1.150	1.026	1.060	.940	9	5	485897-7
1.560	1.310	1.050	.926	.960	.840	8	5	485897-6
1.460	1.210	.950	.826	.860	.740	7	5	485897-5
1.360	1.110	.850	.726	.760	.640	6	5	485897-4
1.260	1.010	.750	.626	.660	.540	5	5	485897-3
1.160	.910	.650	.526	.560	.440	4	5	485897-2
1.060	.810	.550	.426	.460	.340	3	5	485897-1

THIS DRAWING IS A CONTROLLED DOCUMENT.		DWN KATE HELM 11/07/88	Tyco Electronics Corporation Harrisburg, PA 17105-3608	
DIMENSIONS: INCHES		CHK D.ROCKER 3-6-89	NAME HOUSING,PIN,W/DETENT SLOTS AND MTG EARS,.100	
TOLERANCES UNLESS OTHERWISE SPECIFIED:		APVD -	PRODUCT SPEC -	
0 PLC ± -		APPLICATION SPEC -	SIZE A2	
1 PLC ± -		WEIGHT -	CAGE CODE 00779	DRAWING NO C=485897
2 PLC ± -		CUSTOMER DRAWING	RESTRICTED TO -	SCALE 4:1
3 PLC ± .005				SHEET 1 of 1
4 PLC ± -				REV T1
ANGLES ± -				
FINISH -				