



Chipsmall Limited consists of a professional team with an average of over 10 year of expertise in the distribution of electronic components. Based in Hongkong, we have already established firm and mutual-benefit business relationships with customers from,Europe,America and south Asia,supplying obsolete and hard-to-find components to meet their specific needs.

With the principle of “Quality Parts,Customers Priority,Honest Operation,and Considerate Service”,our business mainly focus on the distribution of electronic components. Line cards we deal with include Microchip,ALPS,ROHM,Xilinx,Pulse,ON,Everlight and Freescale. Main products comprise IC,Modules,Potentiometer,IC Socket,Relay,Connector.Our parts cover such applications as commercial,industrial, and automotives areas.

We are looking forward to setting up business relationship with you and hope to provide you with the best service and solution. Let us make a better world for our industry!



Contact us

Tel: +86-755-8981 8866 Fax: +86-755-8427 6832

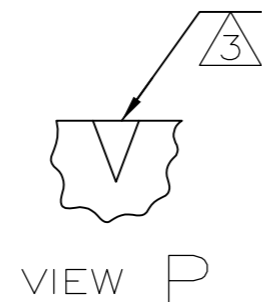
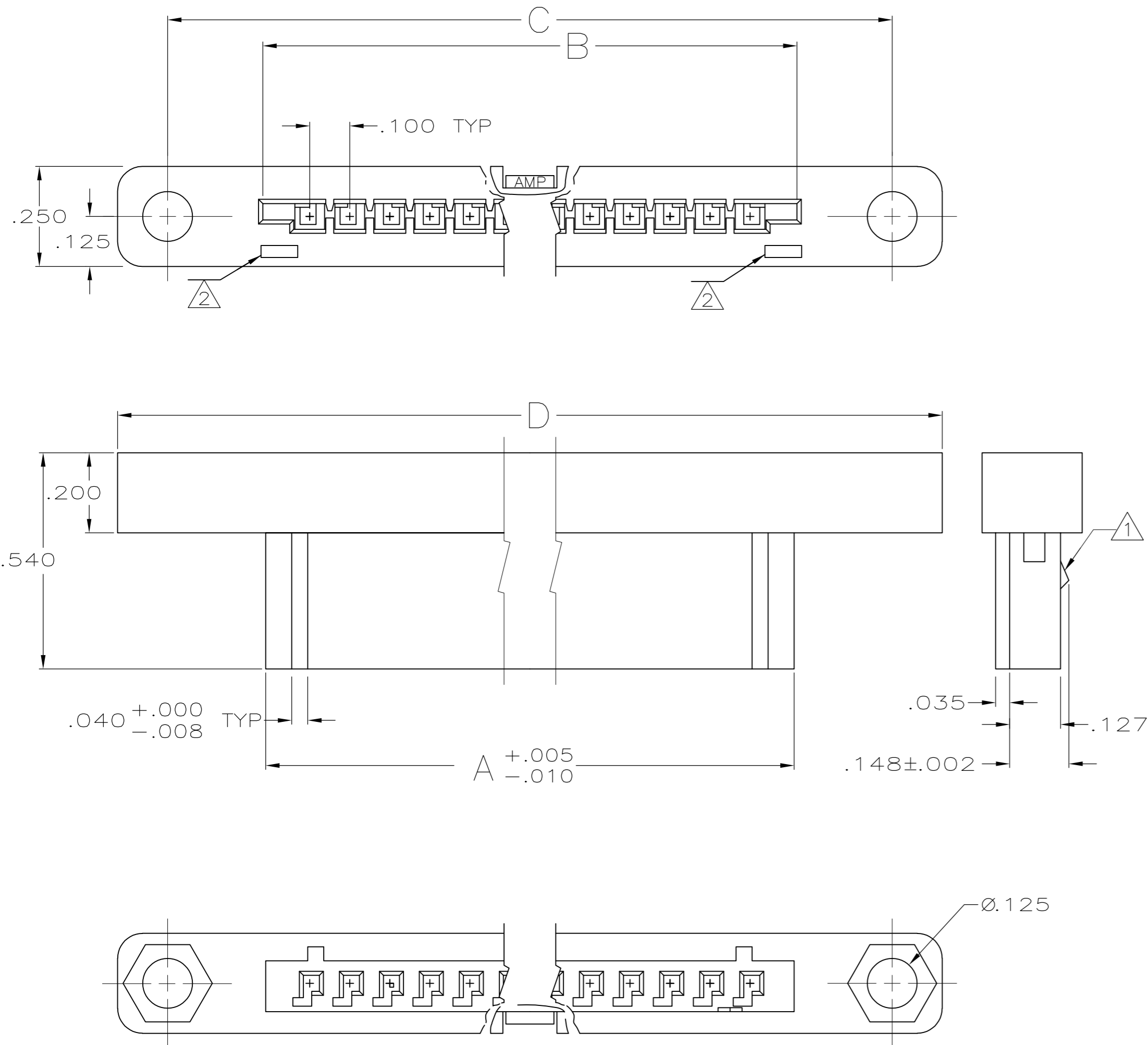
Email & Skype: info@chipsmall.com Web: www.chipsmall.com

Address: A1208, Overseas Decoration Building, #122 Zhenhua RD., Futian, Shenzhen, China



THIS DRAWING IS UNPUBLISHED. RELEASED FOR PUBLICATION
 © COPYRIGHT BY TYCO ELECTRONICS CORPORATION. ALL RIGHTS RESERVED.

LOC	DIST	REVISIONS					
GP	00	P	LTR	DESCRIPTION	DATE	DWN	APVD
			AF	REVISED PER ECO-09-001588	01JUN2009	CJV	CWR
			AF1	REVISED PER ECO-09-020932	08SEP09	KK	AEG



- ① AMP TRADEMARK MOLDED IN THIS AREA
- ② OPTIONAL AREA FOR AMP TRADEMARK (ORIENTATION OPTIONAL)
- ③ INDICATES POSITION 1
- ④ OBSOLETE PART NUMBER.
- ⑤ POLYESTER, GLASS FILLED, COLOR: BLACK.
- ⑥ OBSOLETE PARTS: OBSOLETE CIS STREAMLINING PER D.RENAUD/D.SINISI

D	C	B	A	NO. OF POSN	PART NUMBER
4.260	4.010	3.634	3.520	35	④ 3-485913-3
4.160	3.910	3.534	3.420	34	④ 3-485913-2
4.060	3.810	3.434	3.320	33	④ 3-485913-1
3.960	3.710	3.334	3.220	32	④ 3-485913-0
3.860	3.610	3.234	3.120	31	④ 2-485913-9
3.760	3.510	3.134	3.020	30	④ 2-485913-8
3.660	3.410	3.034	2.920	29	④ 2-485913-7
3.560	3.310	2.934	2.820	28	④ 2-485913-6
3.460	3.210	2.834	2.720	27	④ 2-485913-5
3.360	3.110	2.734	2.620	26	④ 2-485913-4
3.260	3.010	2.634	2.520	25	④ 2-485913-3
3.160	2.910	2.534	2.420	24	④ 2-485913-2
3.060	2.810	2.434	2.320	23	④ 2-485913-1
2.960	2.710	2.334	2.220	22	④ 2-485913-0
2.860	2.610	2.234	2.120	21	④ 1-485913-9
2.760	2.510	2.134	2.020	20	④ 1-485913-8
2.660	2.410	2.034	1.920	19	④ 1-485913-7
2.560	2.310	1.934	1.820	18	④ 1-485913-6
2.460	2.210	1.834	1.720	17	④ 1-485913-5
2.360	2.110	1.734	1.620	16	④ 1-485913-4
2.260	2.010	1.634	1.520	15	1-485913-3
2.160	1.910	1.534	1.420	14	1-485913-2
2.060	1.810	1.434	1.320	13	1-485913-1
1.960	1.710	1.334	1.220	12	1-485913-0
1.860	1.610	1.234	1.120	11	485913-9
1.760	1.510	1.134	1.020	10	485913-8
1.660	1.410	1.034	.920	9	485913-7
1.560	1.310	.934	.820	8	485913-6
1.460	1.210	.834	.720	7	④ 485913-5
1.360	1.110	.734	.620	6	485913-4
1.260	1.010	.634	.520	5	④ 485913-3
1.160	.910	.534	.420	4	485913-2
1.060	.810	.434	.320	3	485913-1

⑥ OBSOLETE

⑥ OBSOLETE

⑥ OBSOLETE

THIS DRAWING IS A CONTROLLED DOCUMENT.

DWN KATE HELM 11-1-89
 CHK D.L.ROCKER 3-2-89
 APVD -
 PRODUCT SPEC 108-9024
 APPLICATION SPEC -
 MATERIAL ⑤ FINISH -
 WEIGHT -
 CUSTOMER DRAWING

TOLERANCES UNLESS OTHERWISE SPECIFIED:
 0 PLC ± -
 1 PLC ± -
 2 PLC ± -
 3 PLC ± .005
 4 PLC ± -
 ANGLES ± -
 FINISH -

Tyco Electronics Tyco Electronics Corporation
 Harrisburg, PA 17105-3608

NAME HOUSING,RCPT,W/MTG EARS
 .100

SIZE A2 CAGE CODE 00779 DRAWING NO C=485913 RESTRICTED TO -
 SCALE 4:1 SHEET 1 OF 1 REV AF1