



Chipsmall Limited consists of a professional team with an average of over 10 year of expertise in the distribution of electronic components. Based in Hongkong, we have already established firm and mutual-benefit business relationships with customers from,Europe,America and south Asia,supplying obsolete and hard-to-find components to meet their specific needs.

With the principle of “Quality Parts,Customers Priority,Honest Operation,and Considerate Service”,our business mainly focus on the distribution of electronic components. Line cards we deal with include Microchip,ALPS,ROHM,Xilinx,Pulse,ON,Everlight and Freescale. Main products comprise IC,Modules,Potentiometer,IC Socket,Relay,Connector.Our parts cover such applications as commercial,industrial, and automotives areas.

We are looking forward to setting up business relationship with you and hope to provide you with the best service and solution. Let us make a better world for our industry!



## Contact us

Tel: +86-755-8981 8866 Fax: +86-755-8427 6832

Email & Skype: info@chipsmall.com Web: www.chipsmall.com

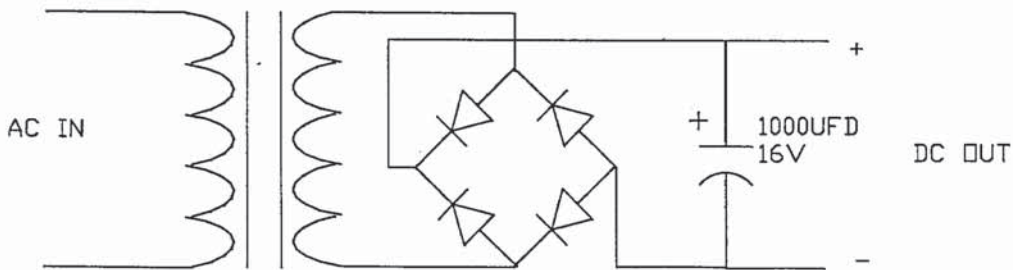
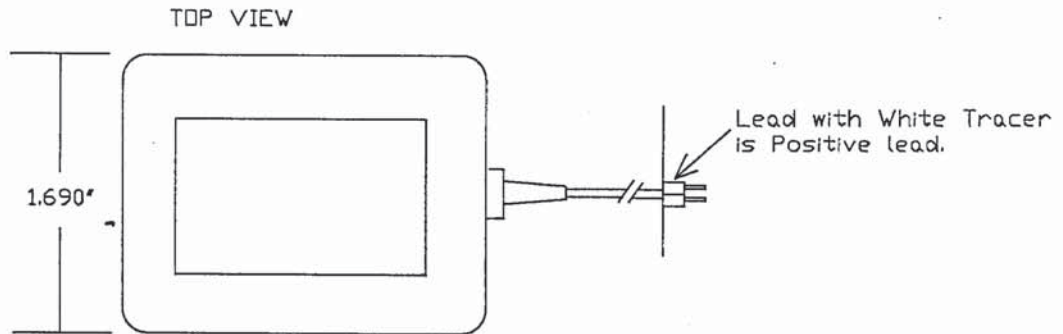
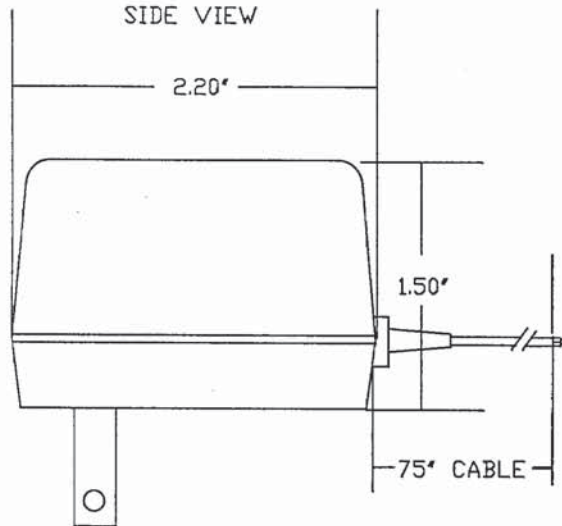
Address: A1208, Overseas Decoration Building, #122 Zhenhua RD., Futian, Shenzhen, China



**Model 485PS2**

B & B ELECTRONICS MFG. CO.

OTTAWA, IL 61350



INPUT: 120VAC, 60HZ, 3W  
 OUTPUT: 12VDC, 100MA.  
 OPERATING TEMPERATURE: 0° - 40° C  
 STORAGE TEMPERATURE: -20° - 70° C  
 DIELECTRIC STRENGTH: 1500VAC FOR 1 MIN.  
 WEIGHT=5.8 OZ.  
 UL and CSA APPROVED.

REF: AD-1210

<b>B &amp; B ELECTRONICS</b>	
ORIG. MAR. 15, 1994	RLH & CAF
485 CONVERTER POWER SUPPLY	
FILE=485PS2	
MODEL 485PS2	
SHT 1 OF 1	

© B&B Electronics

Phone: (815) 433-5100  
 Office Fax: (815) 433-5105  
 Tech Fax: (815) 433-5104  
 Sales Fax: (815) 433-5109

**B & B electronics**  
 MANUFACTURING COMPANY  
 707 Dayton Road - P.O. Box 1040 - Ottawa, IL 61350 USA

Home Page: [www.bb-elec.com](http://www.bb-elec.com)  
 E-mail: [orders@bb-elec.com](mailto:orders@bb-elec.com)  
[support@bb-elec.com](mailto:support@bb-elec.com)  
[catrqt@bb-elec.com](mailto:catrqt@bb-elec.com)