



Chipsmall Limited consists of a professional team with an average of over 10 year of expertise in the distribution of electronic components. Based in Hongkong, we have already established firm and mutual-benefit business relationships with customers from,Europe,America and south Asia,supplying obsolete and hard-to-find components to meet their specific needs.

With the principle of “Quality Parts,Customers Priority,Honest Operation,and Considerate Service”,our business mainly focus on the distribution of electronic components. Line cards we deal with include Microchip,ALPS,ROHM,Xilinx,Pulse,ON,Everlight and Freescale. Main products comprise IC,Modules,Potentiometer,IC Socket,Relay,Connector.Our parts cover such applications as commercial,industrial, and automotives areas.

We are looking forward to setting up business relationship with you and hope to provide you with the best service and solution. Let us make a better world for our industry!



## Contact us

Tel: +86-755-8981 8866 Fax: +86-755-8427 6832

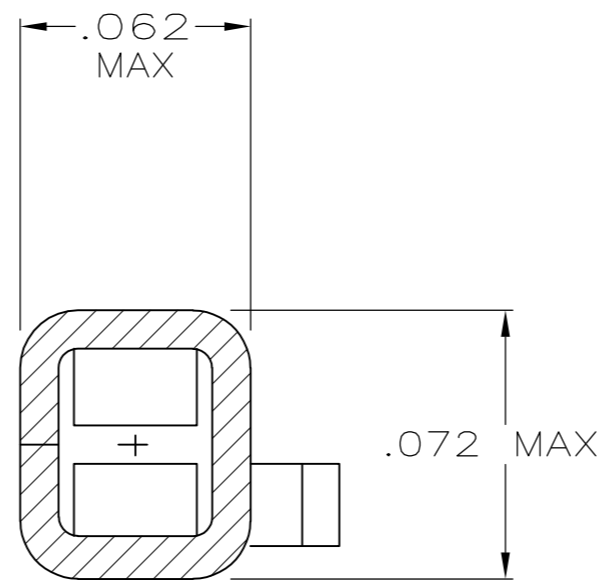
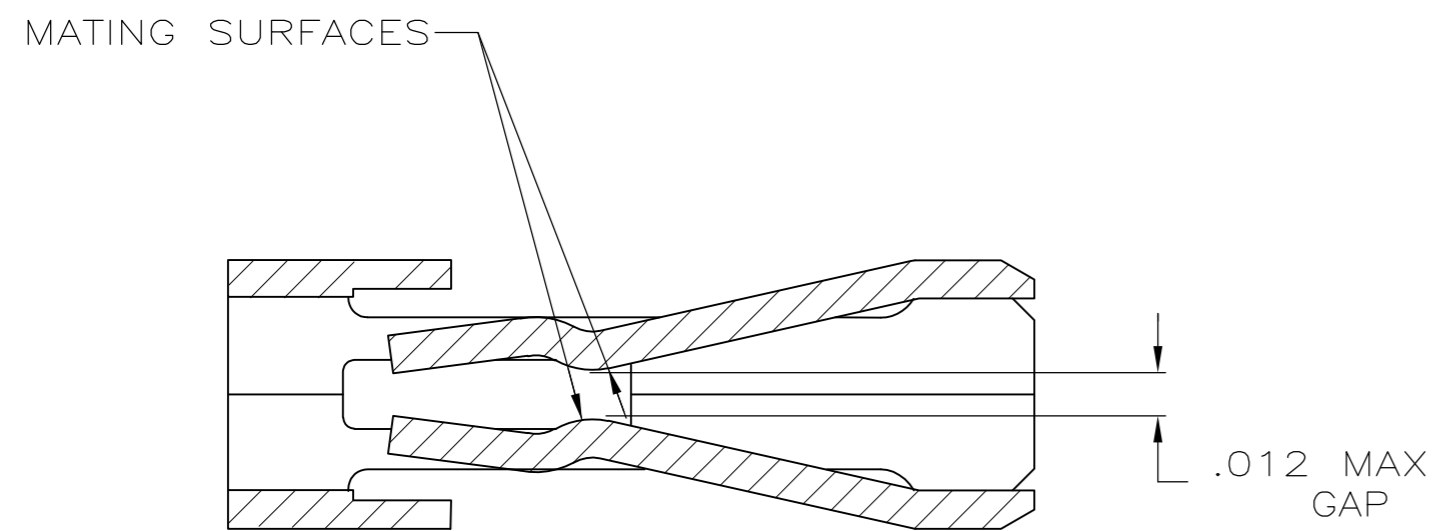
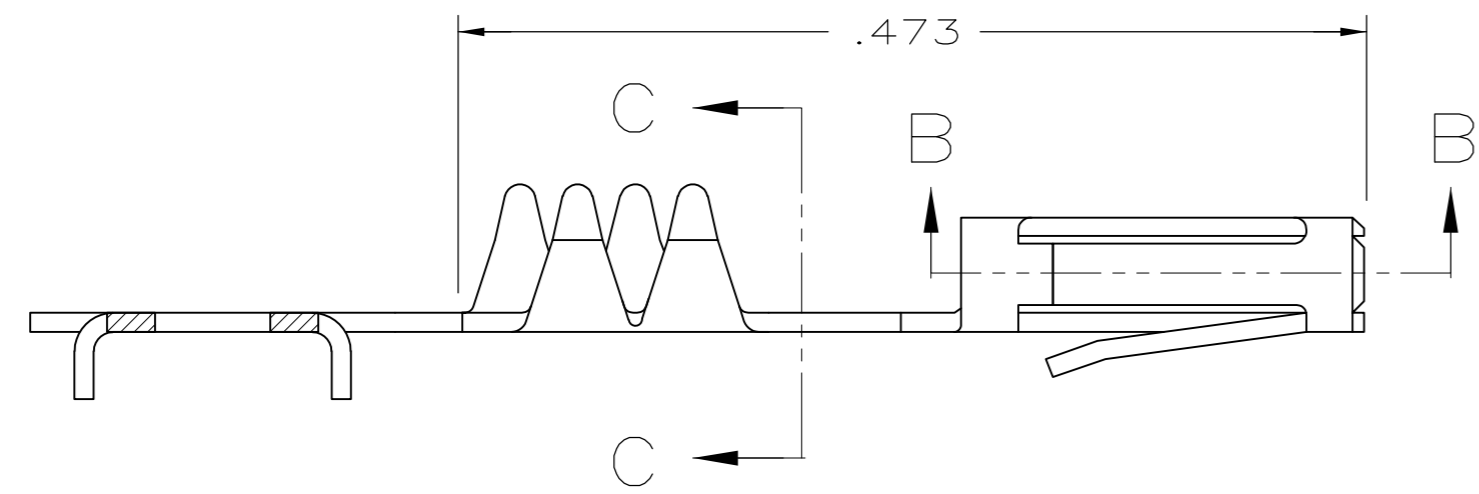
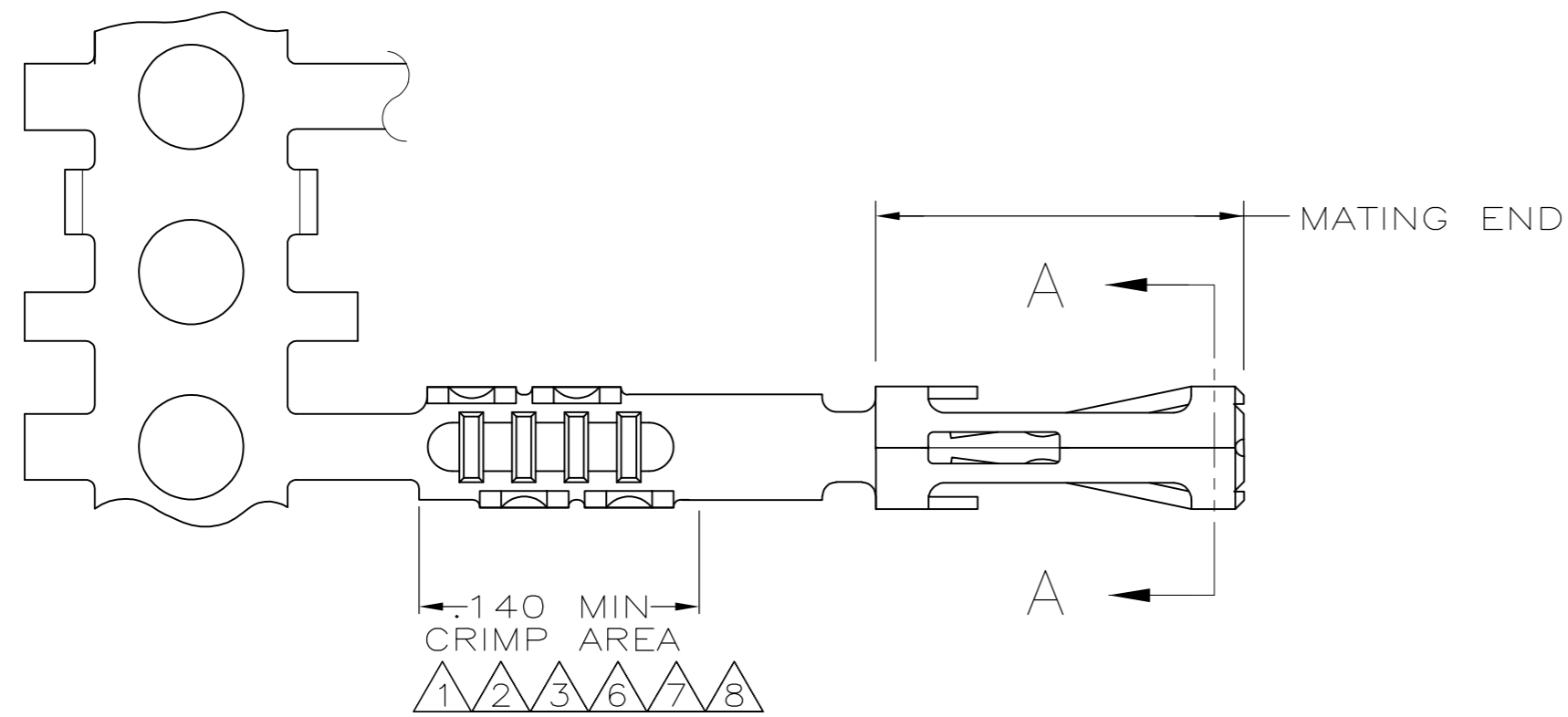
Email & Skype: info@chipsmall.com Web: www.chipsmall.com

Address: A1208, Overseas Decoration Building, #122 Zhenhua RD., Futian, Shenzhen, China

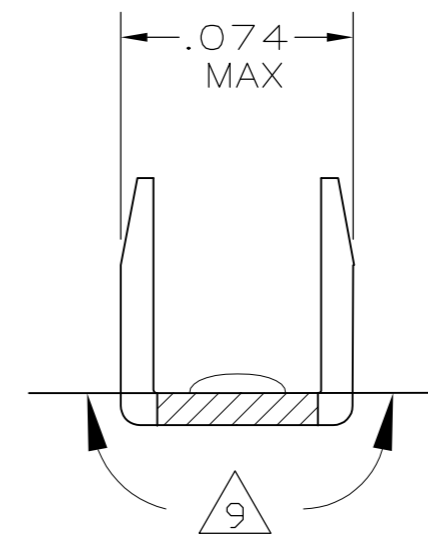


THIS DRAWING IS UNPUBLISHED. RELEASED FOR PUBLICATION  
 © COPYRIGHT - By - ALL RIGHTS RESERVED.

LOC		DIST		REVISIONS			
P	LTR	DESCRIPTION		DATE	DWN	APVD	
GP	00	P2		REVISED PER ECO-12-011709	11MAR11	RW	SY



SECTION A-A  
SCALE 20:1



SECTION C-C  
SCALE 20:1

- 1 PREPLATED .000050 MIN THK NICKEL OVER ENTIRE CONTACT WITH .000015 MIN THK GOLD ON THE MATING SURFACES AND PLATED WITH .000100 MIN THK BRIGHT TIN/LEAD IN CRIMP AREA.
- 2 PREPLATED .000050 MIN THK NICKEL OVER ENTIRE CONTACT WITH .000030 MIN THK GOLD ON THE MATING SURFACES AND PLATED WITH .000100 MIN THK BRIGHT TIN/LEAD IN CRIMP AREA.
- 3 PREPLATED .000050 MIN THK NICKEL OVER ENTIRE CONTACT WITH .000050 MIN THK GOLD ON THE MATING SURFACES AND PLATED WITH .000100 MIN THK BRIGHT TIN/LEAD IN CRIMP AREA.
- 4 .000100 MIN THK BRIGHT TIN/LEAD OVER .000050 MIN THK NICKEL OVER ENTIRE CONTACT.
- 5. MATING POST LENGTH ACCEPTED:  
SINGLE ROW HOUSINGS .210-.323  
DOUBLE ROW HOUSINGS .225-.323
- 6 GOLD FLASH IN CRIMP AREA, .000100 MIN TIN ON THE MATING END, BOTH OVER .000050 MIN NICKEL.
- 7 PREPLATED .000050 MIN THK NICKEL OVER ENTIRE CONTACT WITH .000015 MIN THK GOLD ON THE MATING SURFACES, AND PLATED WITH GOLD FLASH IN THE CRIMP AREA.
- 8 PREPLATED .000050 MIN THK NICKEL OVER ENTIRE CONTACT WITH .000030 MIN THK GOLD ON THE MATING SURFACES, AND PLATED WITH GOLD FLASH IN THE CRIMP AREA.
- 9 GOLD PLATING MAY OR MAY NOT BE PRESENT ON THE BOTTOM OF THE CRIMP BARREL IN THIS AREA.

	9 8	1-487117-1
	9 7	1-487117-0
	9 6	487117-9
	4	487117-8
OBS	3	487117-6
	2	487117-5
	1	487117-4
FINISH		PART NO

THIS DRAWING IS A CONTROLLED DOCUMENT.		DWN	G.A.MACK	8-30-83	<b>TE</b> TE Connectivity		
DIMENSIONS: INCHES		CHK	D.DOLLYHIGH	8-31-83			
TOLERANCES UNLESS OTHERWISE SPECIFIED:		APVD	-	-	RECEPTACLE CONTACT, HIGH PRESSURE		
0 PLC	± -	PRODUCT SPEC	108-9024	NAME			
1 PLC	± -	APPLICATION SPEC	114-16015	SIZE	CAGE CODE	DRAWING NO	RESTRICTED TO
2 PLC	± -	MATERIAL	PHOS BRONZE	A2	00779	C=487117	-
3 PLC	± .005	FINISH	SEE TABLE	SCALE	10:1	SHEET	1 of 1
4 PLC	± -	CUSTOMER DRAWING		REV	P2		
ANGLES	± -						