



Chipsmall Limited consists of a professional team with an average of over 10 year of expertise in the distribution of electronic components. Based in Hongkong, we have already established firm and mutual-benefit business relationships with customers from,Europe,America and south Asia,supplying obsolete and hard-to-find components to meet their specific needs.

With the principle of “Quality Parts,Customers Priority,Honest Operation,and Considerate Service”,our business mainly focus on the distribution of electronic components. Line cards we deal with include Microchip,ALPS,ROHM,Xilinx,Pulse,ON,Everlight and Freescale. Main products comprise IC,Modules,Potentiometer,IC Socket,Relay,Connector.Our parts cover such applications as commercial,industrial, and automotives areas.

We are looking forward to setting up business relationship with you and hope to provide you with the best service and solution. Let us make a better world for our industry!



## Contact us

Tel: +86-755-8981 8866 Fax: +86-755-8427 6832

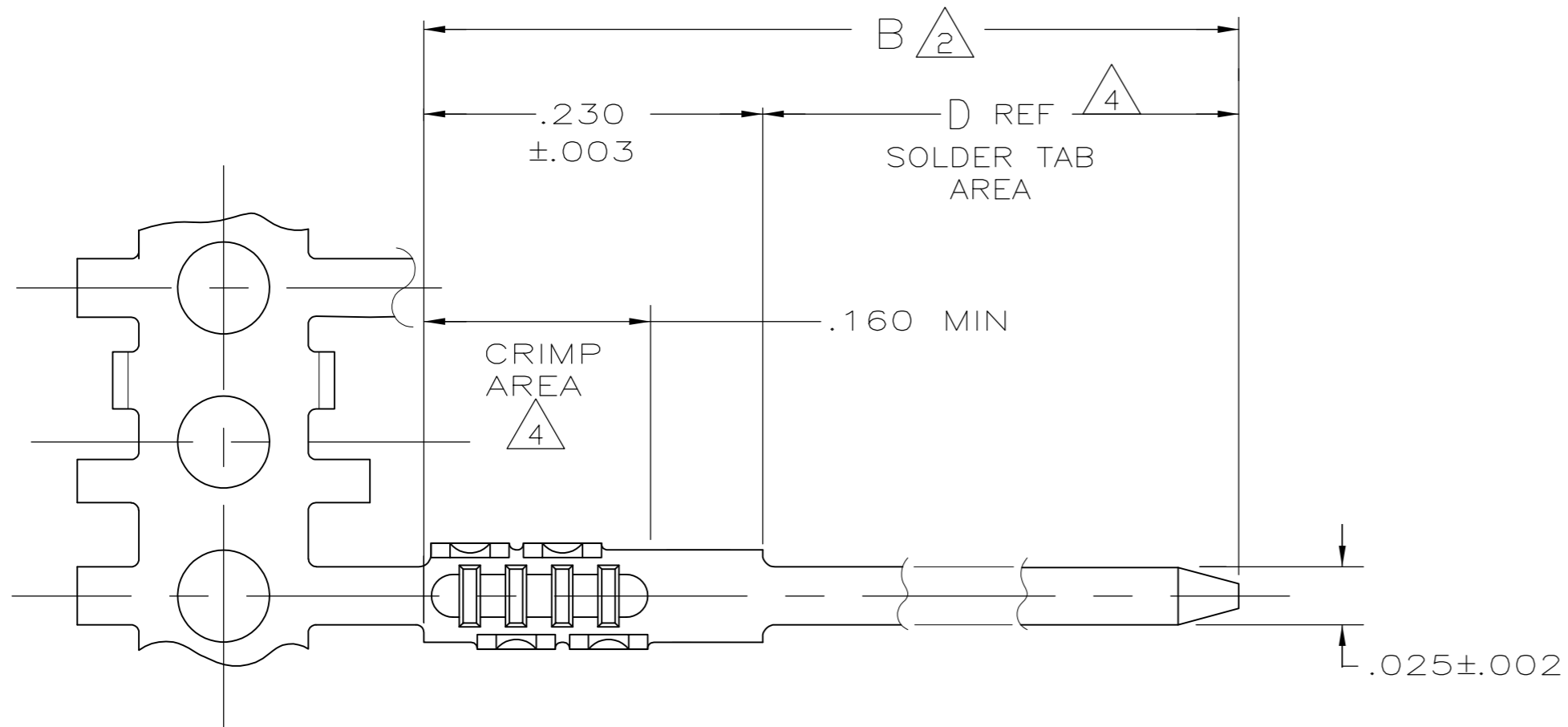
Email & Skype: info@chipsmall.com Web: www.chipsmall.com

Address: A1208, Overseas Decoration Building, #122 Zhenhua RD., Futian, Shenzhen, China

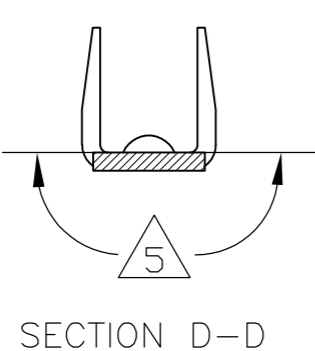
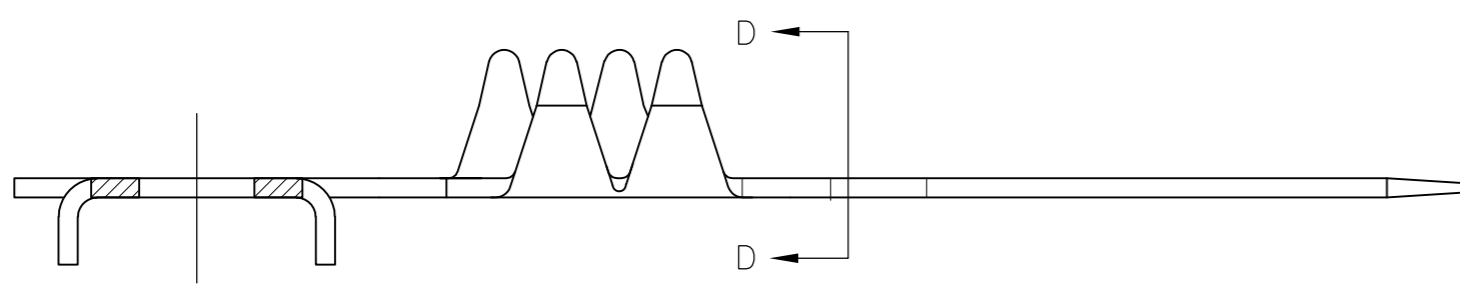


THIS DRAWING IS UNPUBLISHED. RELEASED FOR PUBLICATION  
 © COPYRIGHT BY TYCO ELECTRONICS CORPORATION. ALL RIGHTS RESERVED.

| LOC | DIST | REVISIONS   |                           |           |       |
|-----|------|-------------|---------------------------|-----------|-------|
| P   | LTR  | DESCRIPTION | DATE                      | DWN       | APVD  |
| GP  | 00   | M           | REVISED PER ECO-12-011709 | 26JUN2012 | RW SY |



- 1. BRIGHT TIN-LEAD .000100 MIN THK OVER NICKEL ON ENTIRE CONTACT.
- 2. .000050 MIN THK NICKEL OVER ENTIRE CONTACT.
- 3. RECOMMENDED HOLE SIZE: .030-.034 DIA.
- 4. GOLD FLASH IN CRIMP AREA .000100 MIN TIN IN SOLDER TAB AREA, BOTH OVER NICKEL.
- 5. GOLD PLATING MAY OR MAY NOT BE PRESENT ON THE BOTTOM OF THE CRIMP BARREL IN THIS AREA,



|      |      |        |            |
|------|------|--------|------------|
| .210 | .440 | 2 4    | 1-487137-1 |
| .210 | .440 | 1 2    | 487137-8   |
| D    | B    | FINISH | PART NO    |

|  |  |                               |   |                    |
|--|--|-------------------------------|---|--------------------|
| THIS DRAWING IS A CONTROLLED DOCUMENT. |  | DWN<br>D.PHIPPS<br>3-10-86    | Tyco Electronics Corporation<br>Harrisburg, PA 17105-3608 |                    |
| DIMENSIONS:<br>INCHES                  |  | CHK<br>D.SINK<br>3-11-86      | NAME<br>CONTACT, SOLDER TAB, FFC                          |                    |
| TOLERANCES UNLESS OTHERWISE SPECIFIED: |  | APVD<br>-                     | PRODUCT SPEC<br>108-9024                                  |                    |
| 0 PLC ± -                              |  | APPLICATION SPEC<br>114-16015 | SIZE<br>A2  | CAGE CODE<br>00779 |
| 1 PLC ± -                              |  | WEIGHT<br>-                   | DRAWING NO<br>C=487137                                    | RESTRICTED TO<br>- |
| 2 PLC ± -                              |  | CUSTOMER DRAWING              |   |                    |
| 3 PLC ± .005                           |  | SCALE<br>NTS                  | SHEET<br>1 of 1   | REV<br>M           |
| 4 PLC ± -                              |  |                               |   |                    |
| ANGLES ± -                             |  |                               |   |                    |
| FINISH<br>SEE TABLE                    |  |                               |   |                    |

487137