



Chipsmall Limited consists of a professional team with an average of over 10 year of expertise in the distribution of electronic components. Based in Hongkong, we have already established firm and mutual-benefit business relationships with customers from,Europe,America and south Asia,supplying obsolete and hard-to-find components to meet their specific needs.

With the principle of “Quality Parts,Customers Priority,Honest Operation,and Considerate Service”,our business mainly focus on the distribution of electronic components. Line cards we deal with include Microchip,ALPS,ROHM,Xilinx,Pulse,ON,Everlight and Freescale. Main products comprise IC,Modules,Potentiometer,IC Socket,Relay,Connector.Our parts cover such applications as commercial,industrial, and automotives areas.

We are looking forward to setting up business relationship with you and hope to provide you with the best service and solution. Let us make a better world for our industry!



Contact us

Tel: +86-755-8981 8866 Fax: +86-755-8427 6832

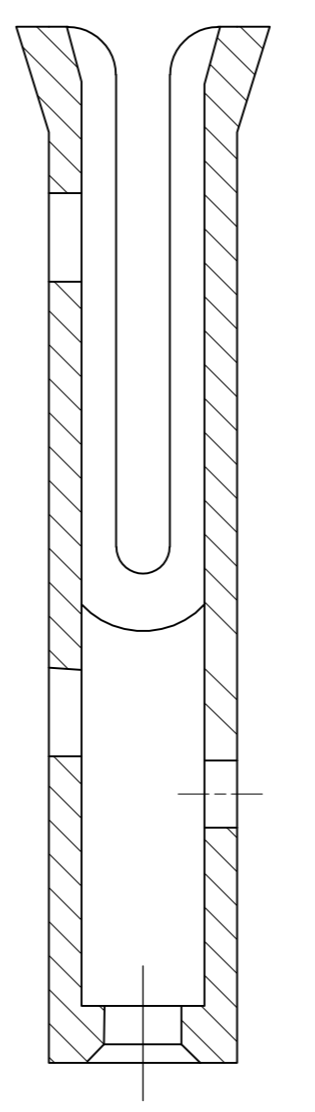
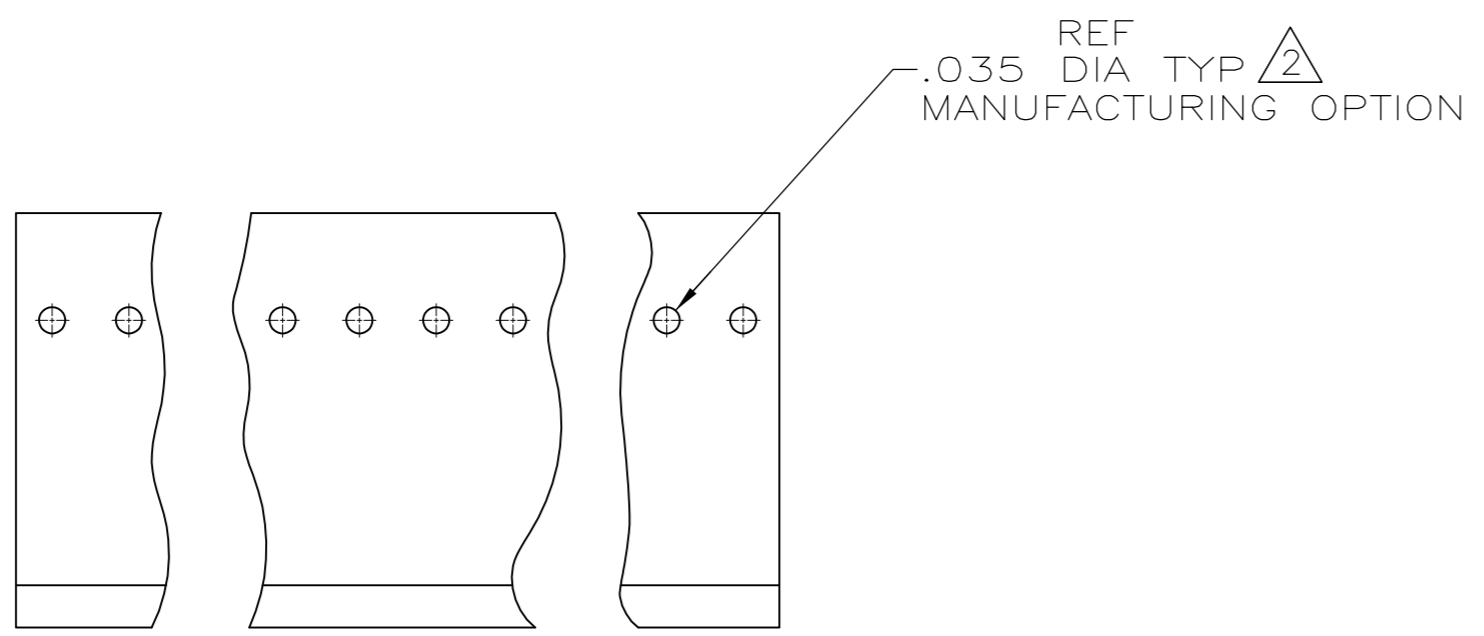
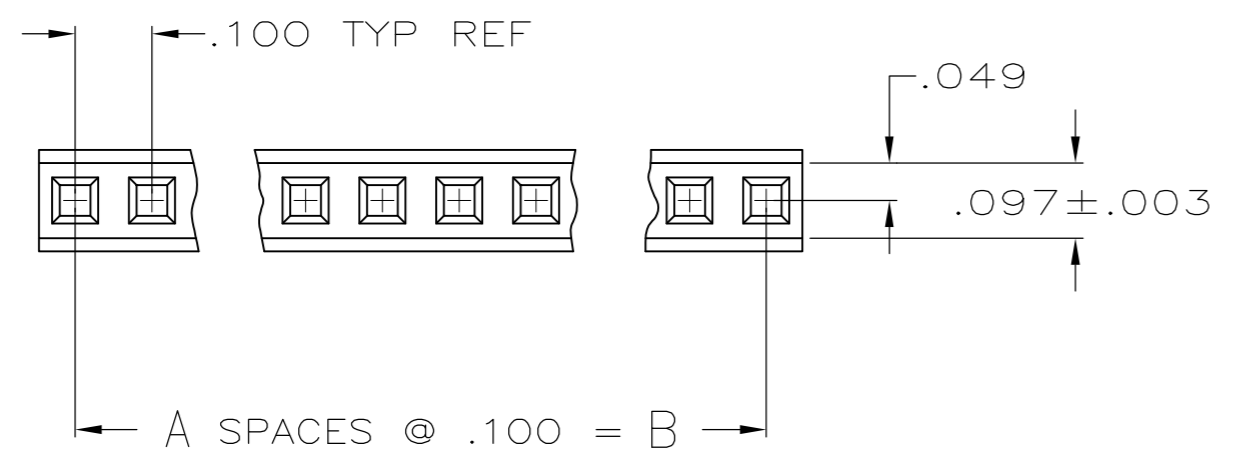
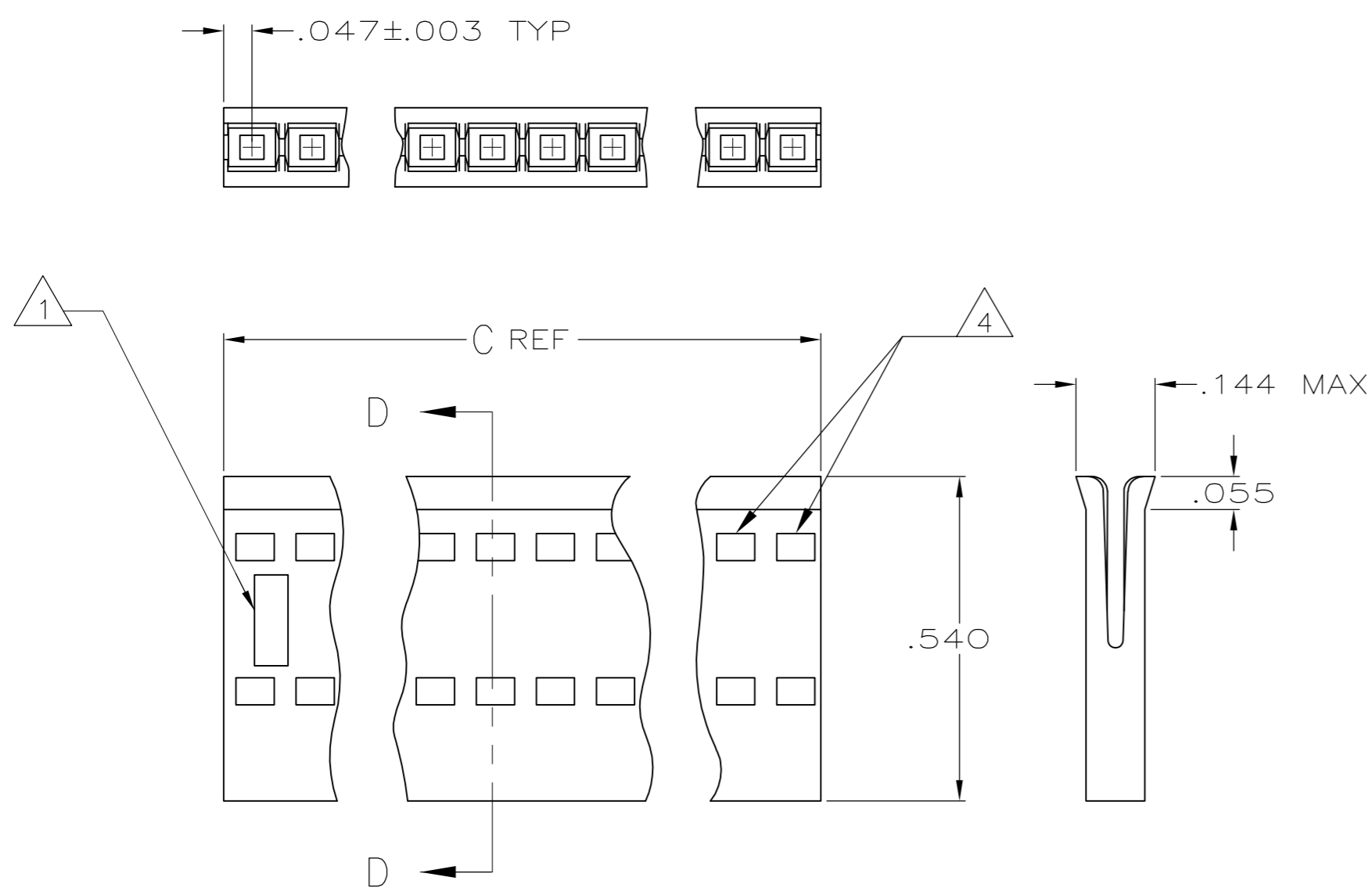
Email & Skype: info@chipsmall.com Web: www.chipsmall.com

Address: A1208, Overseas Decoration Building, #122 Zhenhua RD., Futian, Shenzhen, China



THIS DRAWING IS UNPUBLISHED. RELEASED FOR PUBLICATION
 © COPYRIGHT - By - ALL RIGHTS RESERVED.

LOC	DIST	REVISIONS					
GP	00	P	LTR	DESCRIPTION	DATE	DWN	APVD
		V		REVISED PER ECO-11-017188	06DEC2011	CJV	CWR



SECTION D-D

- 1 AMP TRADEMARK AND MOLD CAVITY IDENTIFICATION LOCATED AT EITHER END OF THE HOUSING IN APPROXIMATE LOCATION SHOWN.
- 2 THIS HOLE IS FOR MOLDING PURPOSES ONLY AND MAY BE FLASHED OVER.
- 3 OBSOLETE PARTS: OBSOLETE CIS STREAMLINING PER D.RENAUD/D.SINISI.
- 4 WINDOWS MAY OR MAY NOT BE PRESENT ON THIS END OF THE HOUSING.

	OBSOLETE	2.594	2.500	25	26	2-487378-6
		3.394	3.300	33	34	2-487378-5
3	OBSOLETE	2.494	2.400	24	25	2-487378-4
		2.394	2.300	23	24	2-487378-3
3	OBSOLETE	2.294	2.200	22	23	2-487378-2
		2.194	2.100	21	22	2-487378-1
		2.094	2.000	20	21	2-487378-0
		1.994	1.900	19	20	1-487378-9
		1.894	1.800	18	19	1-487378-8
		1.794	1.700	17	18	1-487378-7
		1.694	1.600	16	17	1-487378-6
		1.594	1.500	15	16	1-487378-5
		1.494	1.400	14	15	1-487378-4
		1.394	1.300	13	14	1-487378-3
		1.294	1.200	12	13	1-487378-2
		1.194	1.100	11	12	1-487378-1
		1.094	1.000	10	11	1-487378-0
		.994	.900	9	10	487378-9
		.894	.800	8	9	487378-8
		.794	.700	7	8	487378-7
		.694	.600	6	7	487378-6
		.594	.500	5	6	487378-5
		.494	.400	4	5	487378-4
		.394	.300	3	4	487378-3
		.294	.200	2	3	487378-2
		.194	.100	1	2	487378-1
	C REF	B	A	NO OF POSNS	PRODUCT PART NO	

THIS DRAWING IS A CONTROLLED DOCUMENT.		DWN D. DOLLYHIGH 10-17-84	TE Connectivity	
DIMENSIONS: INCHES		CHK D.R. WORTHINGTON 10-17-84	APVD -	
TOLERANCES UNLESS OTHERWISE SPECIFIED:		NAME HOUSING, RECEPTACLE, FFC		
0 PLC ± -		PRODUCT SPEC 108-9024		
1 PLC ± -		APPLICATION SPEC 114-16015		
2 PLC ± -		SIZE A2		
3 PLC ± .005		CAGE CODE 00779		
4 PLC ± -		DRAWING NO C=487378		
ANGLES ± -		RESTRICTED TO -		
FINISH -		WEIGHT -		
MATERIAL THERMOPLASTIC.		CUSTOMER DRAWING		
		SCALE NTS		
		SHEET 1 of 1		
		REV V		