



Chipsmall Limited consists of a professional team with an average of over 10 year of expertise in the distribution of electronic components. Based in Hongkong, we have already established firm and mutual-benefit business relationships with customers from,Europe,America and south Asia,supplying obsolete and hard-to-find components to meet their specific needs.

With the principle of “Quality Parts,Customers Priority,Honest Operation,and Considerate Service”,our business mainly focus on the distribution of electronic components. Line cards we deal with include Microchip,ALPS,ROHM,Xilinx,Pulse,ON,Everlight and Freescale. Main products comprise IC,Modules,Potentiometer,IC Socket,Relay,Connector.Our parts cover such applications as commercial,industrial, and automotives areas.

We are looking forward to setting up business relationship with you and hope to provide you with the best service and solution. Let us make a better world for our industry!



## Contact us

Tel: +86-755-8981 8866 Fax: +86-755-8427 6832

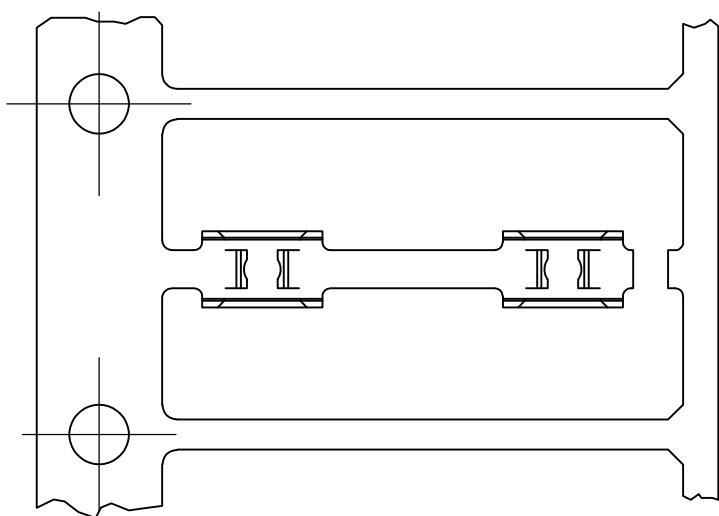
Email & Skype: info@chipsmall.com Web: www.chipsmall.com

Address: A1208, Overseas Decoration Building, #122 Zhenhua RD., Futian, Shenzhen, China

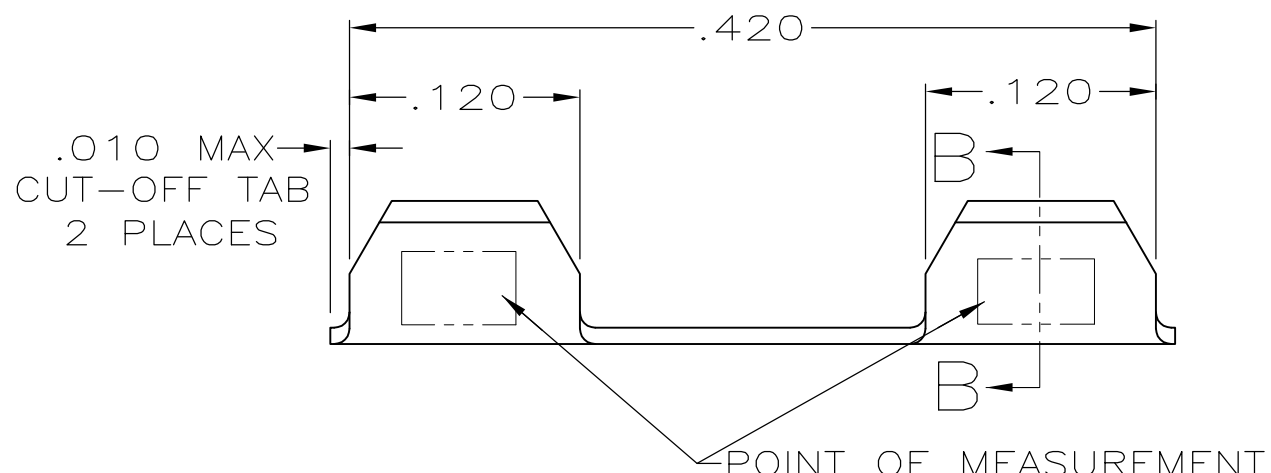


THIS DRAWING IS UNPUBLISHED. RELEASED FOR PUBLICATION  
 © COPYRIGHT BY TYCO ELECTRONICS CORPORATION. ALL RIGHTS RESERVED.

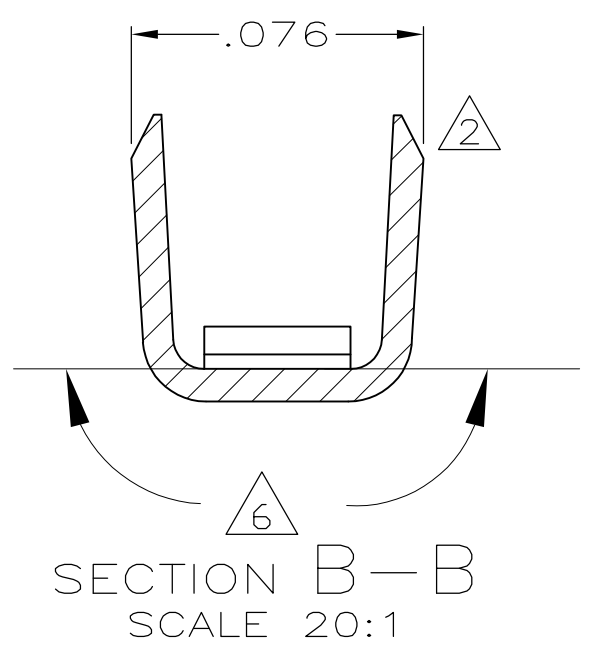
LOC	DIST	REVISIONS					
		P	LTR	DESCRIPTION	DATE	DWN	APVD
GP	00		H1	REVISED PER ECO-09-021510	09SEP09	KK	AEG
			H2	REVISED PER ECO-12-011709	26JUN12	RW	SY



- 1 .000100-.000200 BRIGHT TIN-LEAD OVER .000050 MIN. NICKEL.
- 2 SPLICE WILL ACCOMMODATE FLEXIBLE FLAT CABLE .050 OR .062 WIDE CONDUCTORS ON .100 CENTERS (CABLE=.015 MAX THK).
- 3 FOR FFC MACHINE.
- 4 GOLD FLASH IN CRIMP BARRELS OVER .000050 MIN NICKEL ON ENTIRE CONTACT.
- 5 OBSOLETE PARTS: OBSOLETE CIS STREAMLINING PER D.RENAUD/D.SINISI
- 6 GOLD PLATING MAY OR MAY NOT BE PRESENT ON THE BOTTOM OF THE CRIMP BARREL IN THIS AREA



REMARKS	FINISH	PART NUMBER
5 OBSOLETE	4	487787-5
	3	487787-4
	1	487787-3
	3	487787-2



THIS DRAWING IS A CONTROLLED DOCUMENT.		DWN J. GALLUCCI 3-23-89	Tyco Electronics Corporation Harrisburg, PA 17105-3608	
DIMENSIONS: INCHES		CHK D.L. ROCKER 3-23-89	NAME SPLICE, FFC TO FFC, .100CL	
TOLERANCES UNLESS OTHERWISE SPECIFIED:		APVD 4-6-89 - W.T. PARKER	PRODUCT SPEC 4-6-89 G.D. MILLER	
0 PLC ± -		108-9024	APPLICATION SPEC	
1 PLC ± -		114-16002	SIZE A3	
2 PLC ± -		WEIGHT -	CAGE CODE 00779	DRAWING NO C-487787
3 PLC ± .005		RESTRICTED TO -		
4 PLC ± -		CUSTOMER DRAWING		
ANGLES ± -		SCALE 10:1		
MATERIAL PHOS. BRONZE	FINISH SEE TABLE	SHEET 1 OF 1		
		REV H2		