



Chipsmall Limited consists of a professional team with an average of over 10 year of expertise in the distribution of electronic components. Based in Hongkong, we have already established firm and mutual-benefit business relationships with customers from,Europe,America and south Asia,supplying obsolete and hard-to-find components to meet their specific needs.

With the principle of "Quality Parts,Customers Priority,Honest Operation,and Considerate Service",our business mainly focus on the distribution of electronic components. Line cards we deal with include Microchip,ALPS,ROHM,Xilinx,Pulse,ON,Everlight and Freescale. Main products comprise IC,Modules,Potentiometer,IC Socket,Relay,Connector.Our parts cover such applications as commercial,industrial, and automotives areas.

We are looking forward to setting up business relationship with you and hope to provide you with the best service and solution. Let us make a better world for our industry!



Contact us

Tel: +86-755-8981 8866 Fax: +86-755-8427 6832

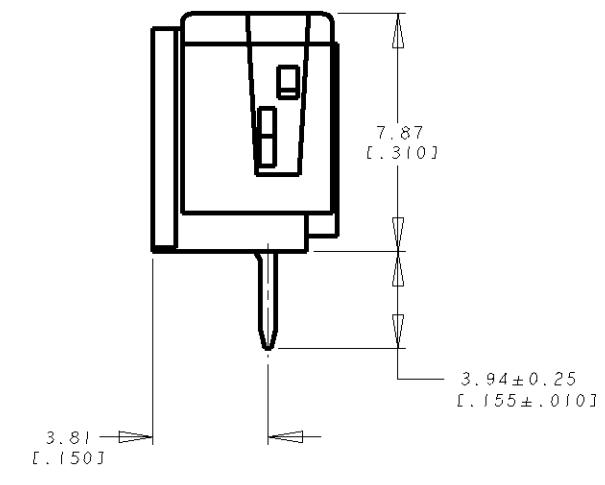
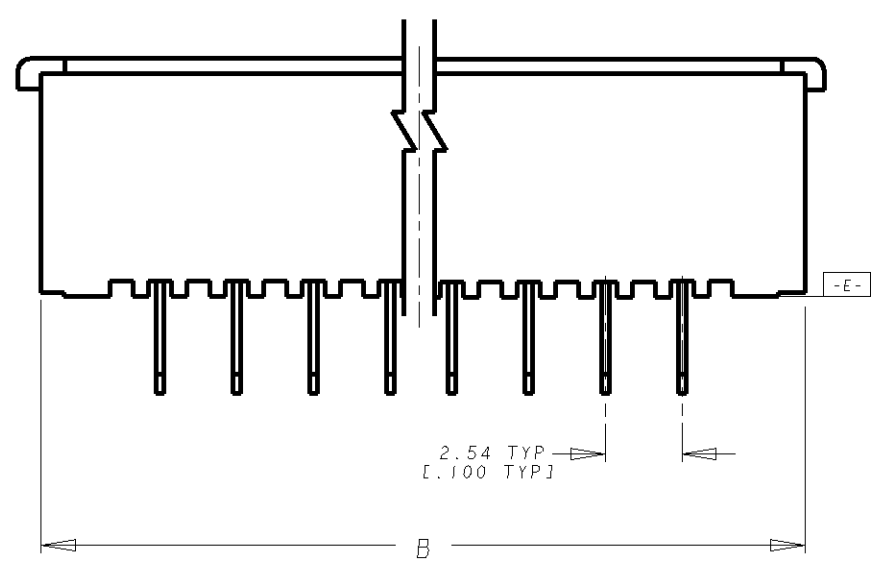
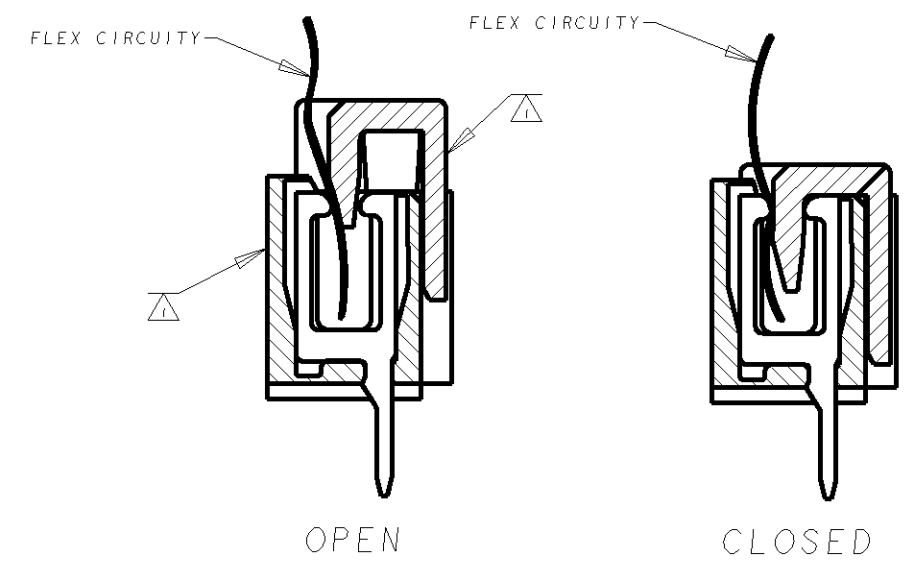
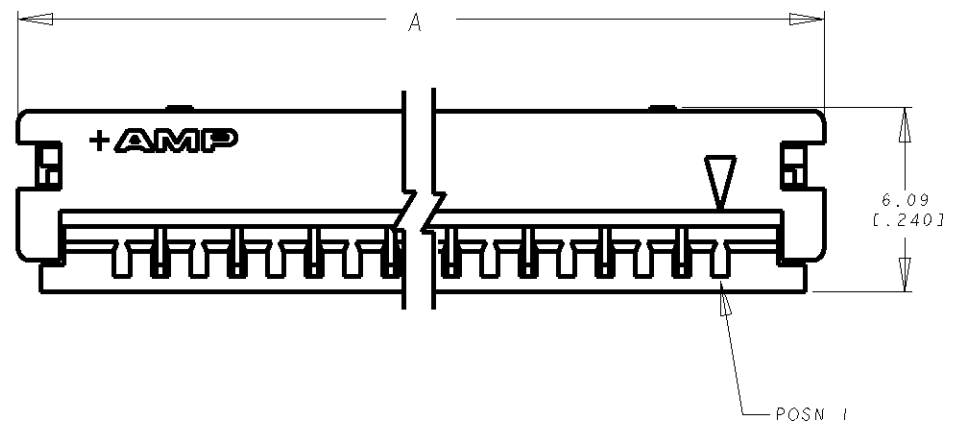
Email & Skype: info@chipsmall.com Web: www.chipsmall.com

Address: A1208, Overseas Decoration Building, #122 Zhenhua RD., Futian, Shenzhen, China



THIS DRAWING IS UNPUBLISHED. RELEASED FOR PUBLICATION .19
 © COPYRIGHT 19 BY - ALL RIGHTS RESERVED.

LOC	DIST	REVISIONS			
P	LTR	DESCRIPTION	DATE	DWN	APVD
		F3	REVISED PER ECO-11-005139	19MAR11	RK HMR



	51.05 [2.010]	52.58 [2.070]	18	1-487925-3
	12.95 [1.510]	14.48 [1.570]	3	1-487925-2
4 OBSOLETE	43.43 [1.710]	44.96 [1.770]	15	1-487925-1
4 OBSOLETE	38.35 [1.510]	39.88 [1.570]	13	1-487925-0
	35.81 [1.410]	37.34 [1.470]	12	487925-9
	33.27 [1.310]	34.80 [1.370]	11	487925-8
4 OBSOLETE	28.19 [1.110]	29.72 [1.170]	9	487925-7
	30.73 [1.210]	32.26 [1.270]	10	487925-6
4 OBSOLETE	61.21 [2.410]	62.74 [2.470]	22	487925-5
4 OBSOLETE	56.13 [2.210]	57.66 [2.270]	20	487925-4
	45.97 [1.810]	47.50 [1.870]	16	487925-3
	40.89 [1.610]	42.42 [1.670]	14	487925-2
	25.65 [1.010]	27.18 [1.070]	8	487925-1
	'B'	'A'	NO OF POSN	PART NUMBER

- 1 FLAME RETARDANT THERMOPLASTIC; COLOR-BLACK
- 2 FINISH: 0.00381 [0.000150] MIN THK TIN OVER
0.00127 [0.000050] MIN THK NICKEL ON ENTIRE CONTACT.
- 3. CONNECTOR SUPPLIED IN CLOSED CONDITION.
- 4** OBSOLETE PARTS: OBSOLETE CIS STREAMLINING PER D.RENAUD/D.SINISI

THIS DRAWING IS A CONTROLLED DOCUMENT FOR AMP INCORPORATED. IT IS SUBJECT TO CHANGE AND THE CONTROLLING ENGINEERING ORGANIZATION SHOULD BE CONTACTED FOR THE LATEST REVISION.		DWN D. KEITZER 30OCT89	STE TE Connectivity
DIMENSIONS: INCHES		CHK C OBERMAN 2NOV89	
TOLERANCES UNLESS OTHERWISE SPECIFIED: 0 PLC ±- 1 PLC ±- 2 PLC ±- 3 PLC ±.005 4 PLC ±- ANGLES ±-		APVD SF J FONG	NAME CONNECTOR ASSEMBLY, .100C, ZIF-LINE 50
MATERIAL HOUSING & STUFFER: 1 CONTACTS: PHOS BRONZE		PRODUCT SPEC 108-16025	SIZE A3
FINISH CONTACTS: 2		APPLICATION SPEC 114-16014	CAGE CODE 00779
		WEIGHT -	DRAWING NO C-487925
		CUSTOMER DRAWING	SCALE 8:1 SHEET OF REV F3