



Chipsmall Limited consists of a professional team with an average of over 10 year of expertise in the distribution of electronic components. Based in Hongkong, we have already established firm and mutual-benefit business relationships with customers from,Europe,America and south Asia,supplying obsolete and hard-to-find components to meet their specific needs.

With the principle of “Quality Parts,Customers Priority,Honest Operation,and Considerate Service”,our business mainly focus on the distribution of electronic components. Line cards we deal with include Microchip,ALPS,ROHM,Xilinx,Pulse,ON,Everlight and Freescale. Main products comprise IC,Modules,Potentiometer,IC Socket,Relay,Connector.Our parts cover such applications as commercial,industrial, and automotives areas.

We are looking forward to setting up business relationship with you and hope to provide you with the best service and solution. Let us make a better world for our industry!



Contact us

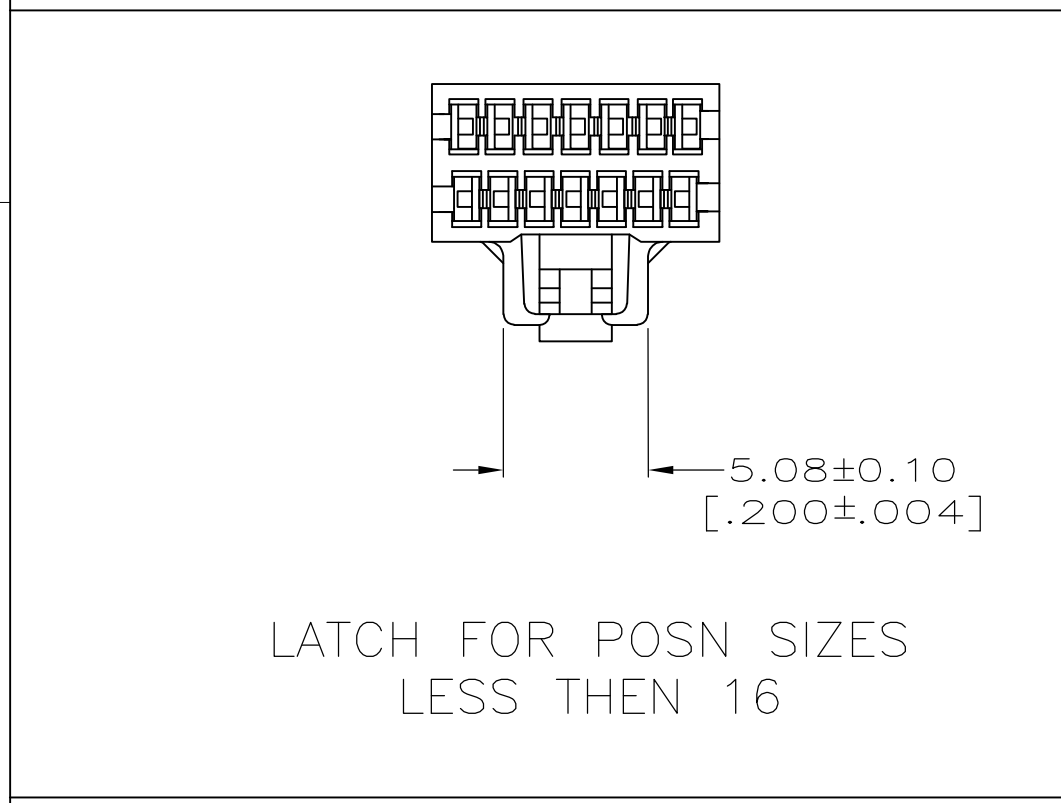
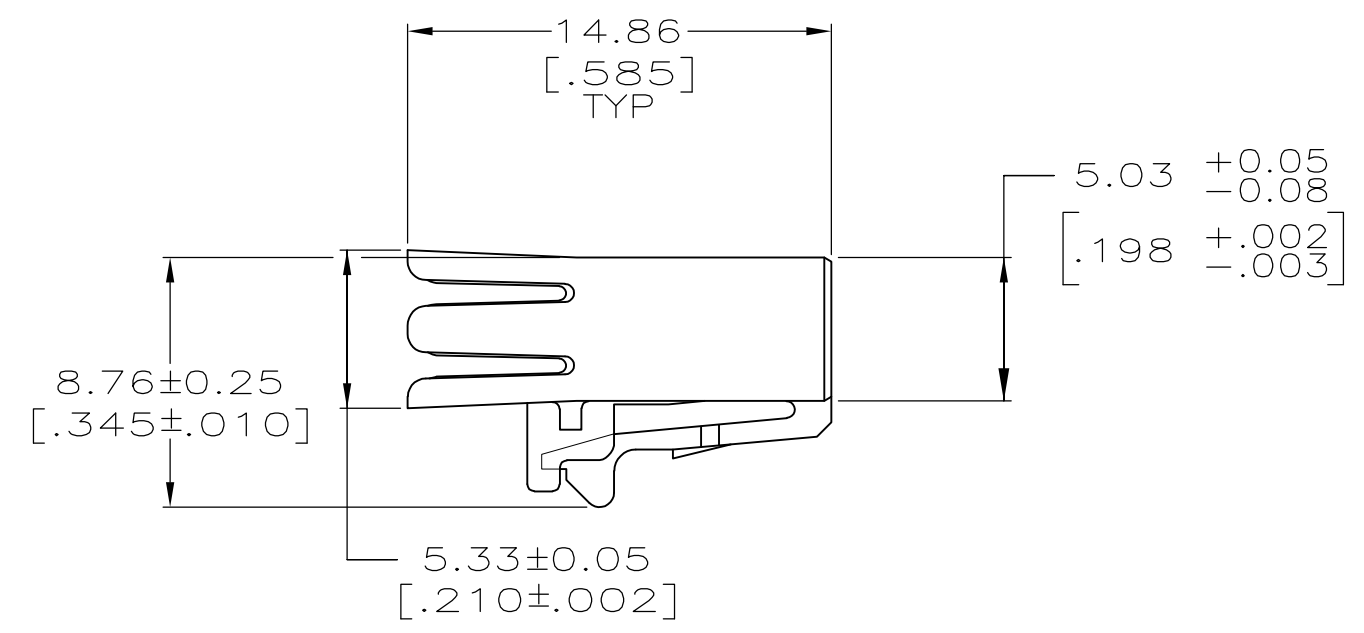
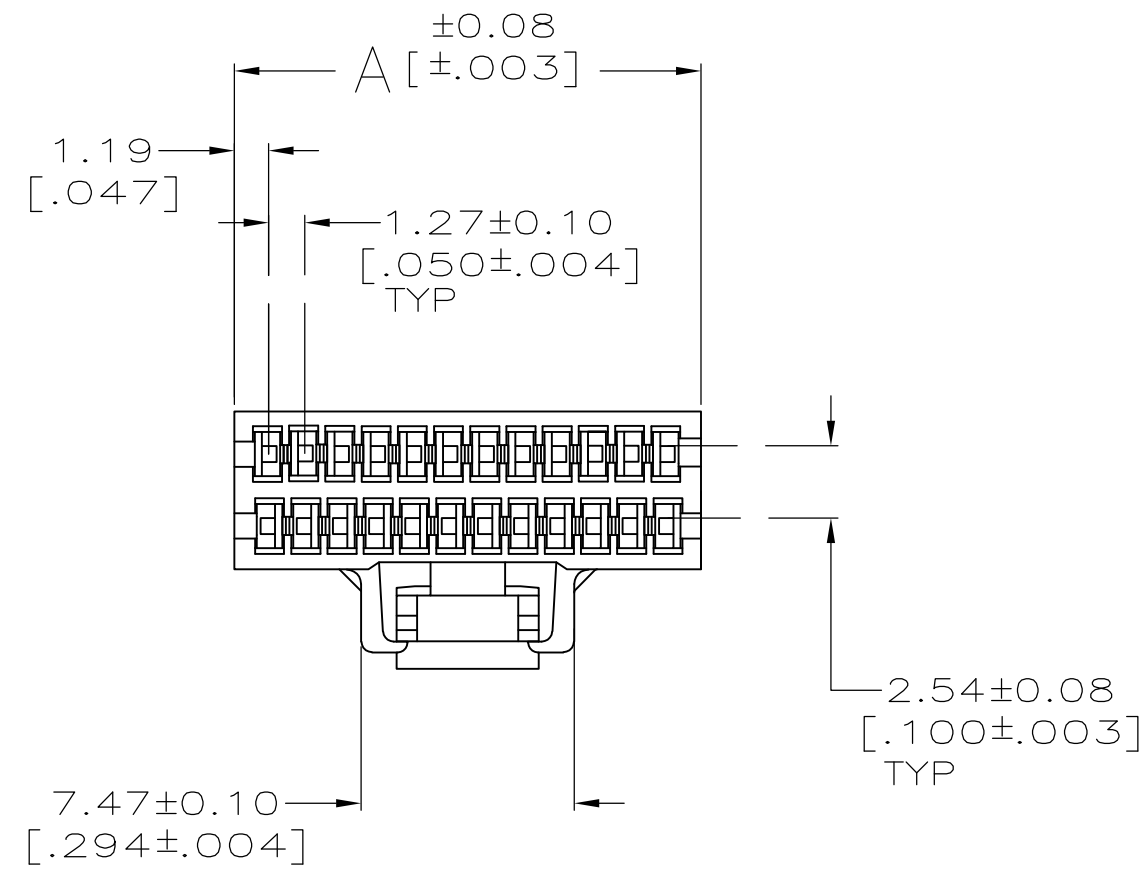
Tel: +86-755-8981 8866 Fax: +86-755-8427 6832

Email & Skype: info@chipsmall.com Web: www.chipsmall.com

Address: A1208, Overseas Decoration Building, #122 Zhenhua RD., Futian, Shenzhen, China



LOC	DIST	REVISIONS					
AR	39	P	LTR	DESCRIPTION	DATE	OWN	APVD
		D3		REVISED PER ECO-12-003620	16FEB2011	RW	SY



1 OBSOLETE PARTS: OBSOLETE CIS STREAMLINING PER D.RENAUD/D.SINISI

	51.99 [2.047]	80	8-487937-0
	46.91 [1.847]	72	7-487937-2
	39.29 [1.547]	60	6-487937-0
	32.94 [1.297]	50	5-487937-0
1 OBSOLETE	29.13 [1.147]	44	4-487937-4
	26.59 [1.047]	40	4-487937-0
	22.78 [.897]	34	3-487937-4
	20.24 [.797]	30	3-487937-0
	17.70 [.697]	26	2-487937-6
	16.43 [.647]	24	2-487937-4
	13.89 [.547]	20	2-487937-0
	11.35 [.447]	16	1-487937-6
	10.08 [.397]	14	1-487937-4
	8.81 [.347]	12	1-487937-2
	7.54 [.297]	10	1-487937-0
1 OBSOLETE	6.27 [.247]	8	487937-8
	64.69 [2.547]	100	487937-1
	A	NO OF POSN	PART NO

THIS DRAWING IS A CONTROLLED DOCUMENT.		DWN C.OBERMAN 02/08/91	STE TE Connectivity	
DIMENSIONS: mm[INCHES]		CHK J McCLINTON 3-5-91		
TOLERANCES UNLESS OTHERWISE SPECIFIED:		APVD D L.ROCKER 3-6-91	NAME HOUSING, RCPT, .050 , FFC	
0 PLC ± -	1 PLC ± -	PRODUCT SPEC	SIZE CAGE CODE DRAWING NO	
2 PLC ± 0.13 [.005]	3 PLC ± -	APPLICATION SPEC	RESTRICTED TO	
4 PLC ± -	ANGLES ± ± -	FINISH	A2 00779 G-487937	
MATERIAL POLYESTER BLACK	FINISH -	WEIGHT -	CUSTOMER DRAWING	
			SCALE 4:1	SHEET 1 OF 1
			REV D3	