



Chipsmall Limited consists of a professional team with an average of over 10 year of expertise in the distribution of electronic components. Based in Hongkong, we have already established firm and mutual-benefit business relationships with customers from,Europe,America and south Asia,supplying obsolete and hard-to-find components to meet their specific needs.

With the principle of “Quality Parts,Customers Priority,Honest Operation,and Considerate Service”,our business mainly focus on the distribution of electronic components. Line cards we deal with include Microchip,ALPS,ROHM,Xilinx,Pulse,ON,Everlight and Freescale. Main products comprise IC,Modules,Potentiometer,IC Socket,Relay,Connector.Our parts cover such applications as commercial,industrial, and automotives areas.

We are looking forward to setting up business relationship with you and hope to provide you with the best service and solution. Let us make a better world for our industry!



Contact us

Tel: +86-755-8981 8866 Fax: +86-755-8427 6832

Email & Skype: info@chipsmall.com Web: www.chipsmall.com

Address: A1208, Overseas Decoration Building, #122 Zhenhua RD., Futian, Shenzhen, China

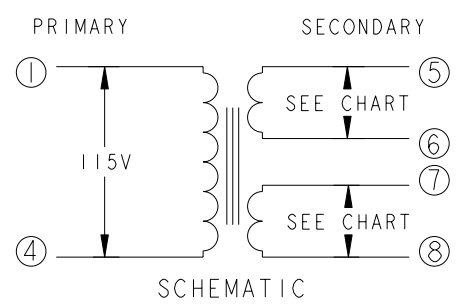
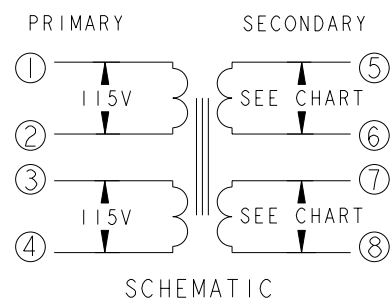
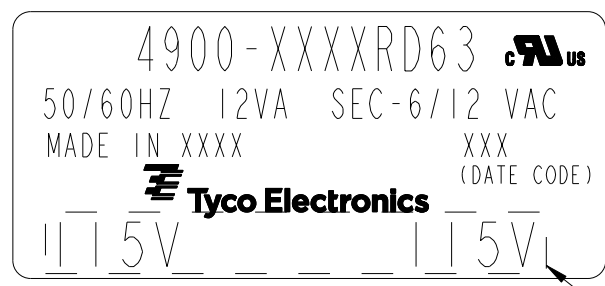
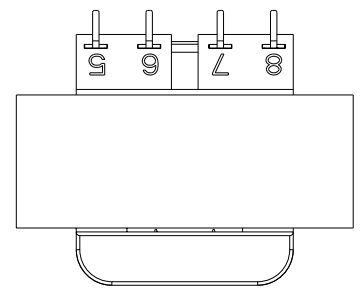
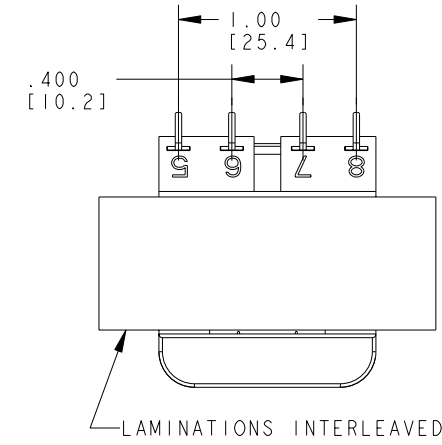
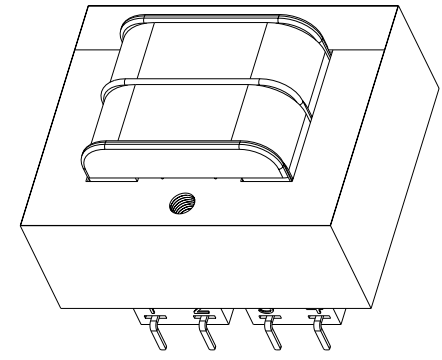
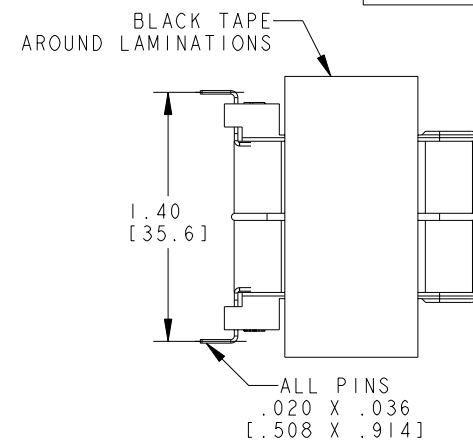
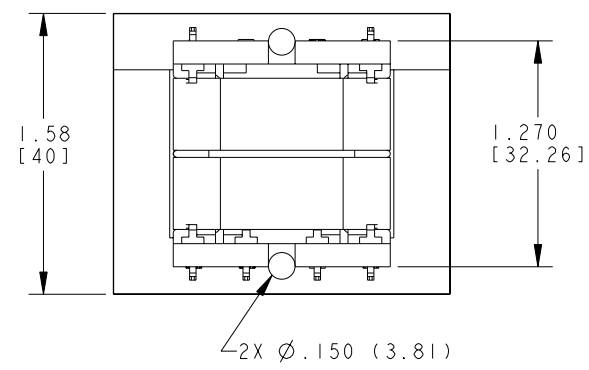
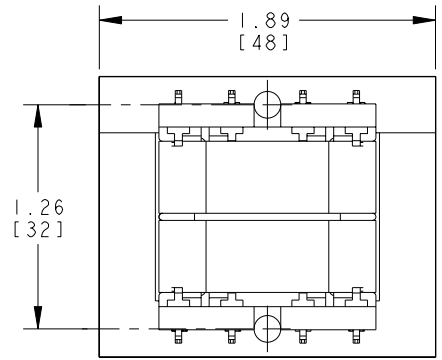
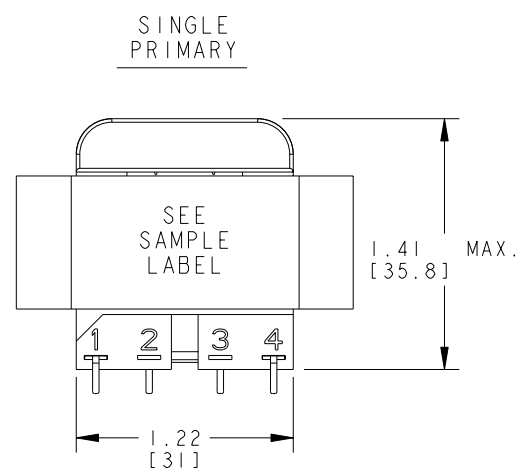
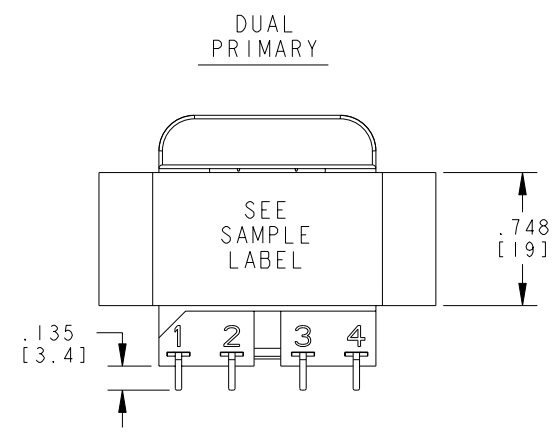


THIS DRAWING IS UNPUBLISHED. RELEASED FOR PUBLICATION 20
 © COPYRIGHT 20 BY TYCO ELECTRONICS CORPORATION. ALL RIGHTS RESERVED.

LOC	DIST	REVISIONS					
GZ	00	P	LTR	DESCRIPTION	DATE	DWN	APVD
		C		ECR-09-005727	02APR2009	JS	JH
		D		ECR-09-011630	11JUN2009	JS	DB

PRIMARY		SECONDARY		P. U. PART NUMBER	TYCO ELECTRONICS PART NUMBER
115 VAC	12 VCT	6 VAC	6 VAC	4900-8012RD63	1672325-2
115 VAC	12.6 VCT	6.3 VAC	6.3 VAC	4900-8013RD63	1672325-3
115 VAC	24 VCT	12 VAC	12 VAC	4900-8024RD63	1672325-6
115 VAC	28 VCT	14 VAC	14 VAC	4900-8028RD63	1672325-7
115 VAC	48 VCT	24 VAC	24 VAC	4900-8048RD63	1-1672325-0
115/230 VAC	12 VCT	6 VAC	6 VAC	4900-9012RD63	1-1672325-4
115/230 VAC	12.6 VCT	6.3 VAC	6.3 VAC	4900-9013RD63	1-1672325-5
115/230 VAC	24 VCT	12 VAC	12 VAC	4900-9024RD63	1-1672325-8
115/230 VAC	28 VCT	14 VAC	14 VAC	4900-9028RD63	1-1672325-9
115/230 VAC	48 VCT	24 VAC	24 VAC	4900-9048RD63	2-1672325-2

CERTIFICATION: UL/CUL FILE NO. E102980 HZ. 50/60 V. A. 12
 DIMENSIONS FOR REFERENCE ONLY.



<small>THIS DRAWING IS A CONTROLLED DOCUMENT FOR TYCO ELECTRONICS CORPORATION. IT IS SUBJECT TO CHANGE AND THE CONTROLLING ENGINEERING ORGANIZATION SHOULD BE CONTACTED FOR THE LATEST REVISION.</small>		DWN J. SLIKE 22 JUL 2008	Tyco Electronics Harrisburg, PA 17105-3608	
DIMENSIONS: INCHES [mm]		CHK J. HURLBURY 22 JUL 2008	NAME TRANSFORMER OUTLINE	
<small>TOLERANCES UNLESS OTHERWISE SPECIFIED:</small> 0 PLC ± 1 PLC ± 2 PLC ±.01 3 PLC ±.005 4 PLC ± ANGLES ± FINISH		APVD J. HURLBURY 22 JUL 2008	RESTRICTED TO	
MATERIAL		PRODUCT SPEC	SIZE A2	CAGE CODE 00779
		APPLICATION SPEC	DRAWING NO 4900-RD63	REV D
		WEIGHT	SCALE 5:1	SHEET 1 OF 1
		CUSTOMER DRAWING		